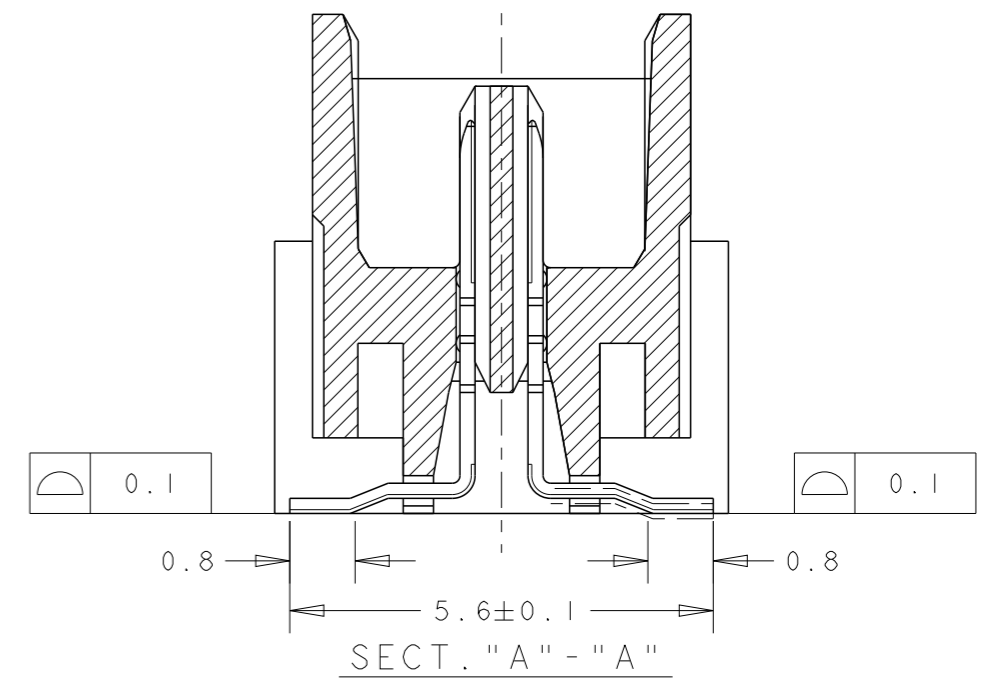
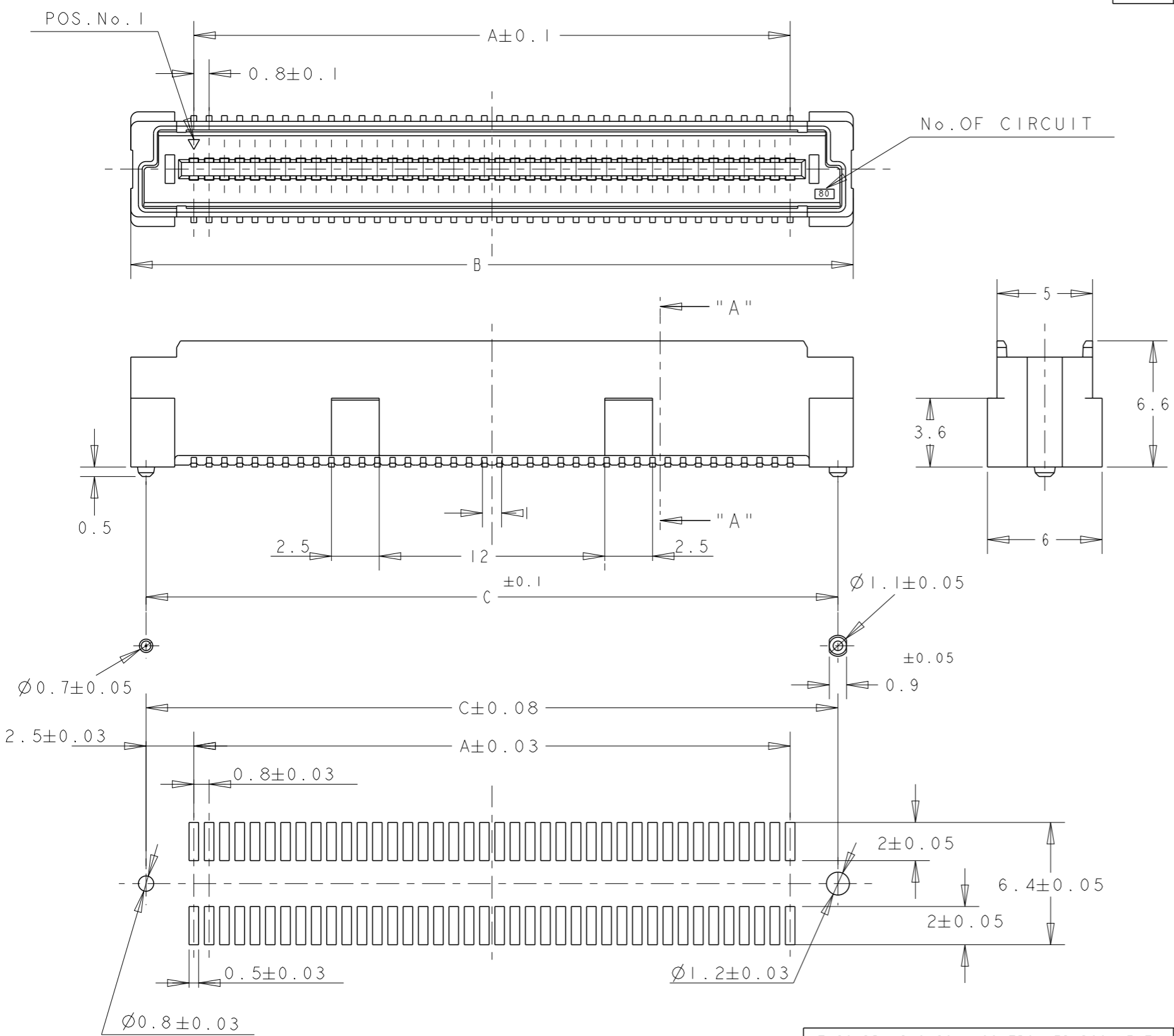


THIS DRAWING IS UNPUBLISHED. RELEASED FOR PUBLICATION 20
 © COPYRIGHT 20 BY - ALL RIGHTS RESERVED.


LOC	DIST	REVISIONS			
P	LTR	DESCRIPTION	DATE	DWN	APVD
DY	-	B2 REVISED PER ECR-12-021394	12DEC12	IT	SY



- NOTES:
- 1 MATERIAL:
HOUSING: L.C.P. (HIGH TEMP THERMO PLASTIC)
UL 94V-0, NATURAL.
CONTACT: BRASS.
 - 2 FINISH:
CONTACT AREA: 0.0002 MIN GOLD ON
0.0013 MIN ALL OVER NICKEL.
 - 3 SOLDERING AREA: 0.002 MIN MATTE-TIN.
 - 4 POSITION SERIES: SEE TABLE.
 - CONN STACK HEIGHT COMBINE OF PLUG "Y" H VS REC "X" H.
STACK HEIGHT = Y + X - 5
 - 5 FINISH:
CONTACT AREA: 0.00076 MIN GOLD ON
0.0013 MIN ALL OVER NICKEL.
SOLDERING AREA: 0.002 MIN MATTE-TIN.
 - 6 OBSOLETE PARTS: OBSOLETE CIS STREAMLINING PER
D.RENAUD/D.SINISI.
 - 7 FINISH:
CONTACT AREA: 0.00038 MIN GOLD ON
0.0013 MIN ALL OVER NICKEL.
SOLDERING AREA: 0.002 MIN MATTE-TIN.

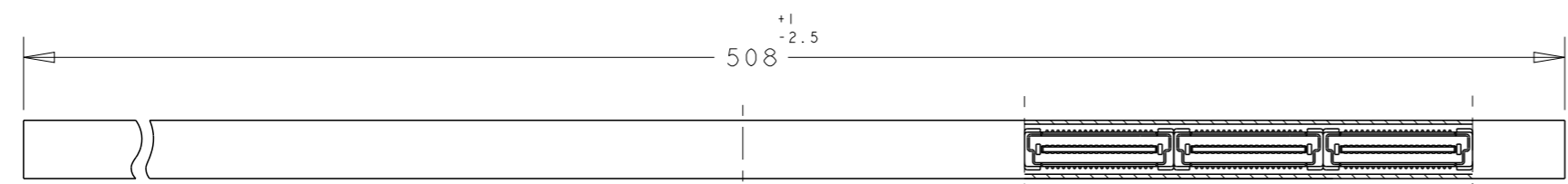
RECOMMENDED P.C. BOARD LAYOUT

P/N SEE SHEET 2 AND 3 OF 3

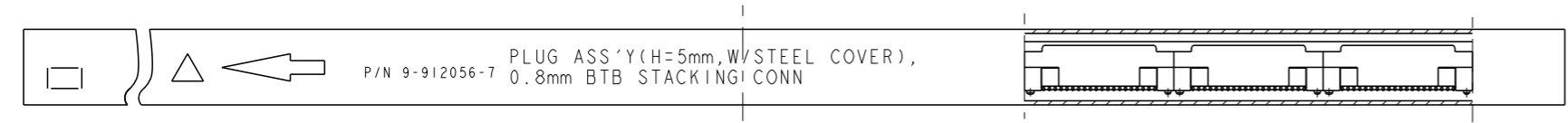
THIS DRAWING IS A CONTROLLED DOCUMENT.		DWN FLORENCE TAN 30AUG04	 TE Connectivity	
DIMENSIONS: mm		CHK ERIC TNG		
TOLERANCES UNLESS OTHERWISE SPECIFIED:		APVD SE LEONG	NAME PLUG ASSEMBLY 7H TYPE (0.5 BOSS LENGTH) FOR FH 0.8mm PITCH BTB CONNECTOR	
0 PLC ± 1 PLC ±0.30 2 PLC ±0.25 3 PLC ±0.20 4 PLC ± ANGLES ±3°		PRODUCT SPEC 108-5390	SIZE A300779	
MATERIAL		APPLICATION SPEC 114-5254	DRAWING NO C-5179030	
FINISH SEE P/N TABLE		WEIGHT -	RESTRICTED TO -	
		CUSTOMER DRAWING	SCALE 4:1	SHEET 1 OF 3
			REV B2	

THIS DRAWING IS UNPUBLISHED. RELEASED FOR PUBLICATION 20
 © COPYRIGHT 20 BY - ALL RIGHTS RESERVED.

LOC	DIST	REVISIONS				
P	LTR	DESCRIPTION	DATE	DWN	APVD	
		SEE HEET 1				



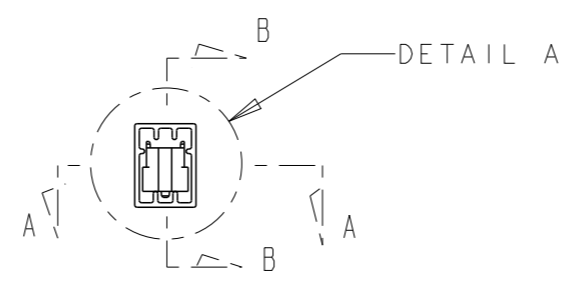
SECT A-A



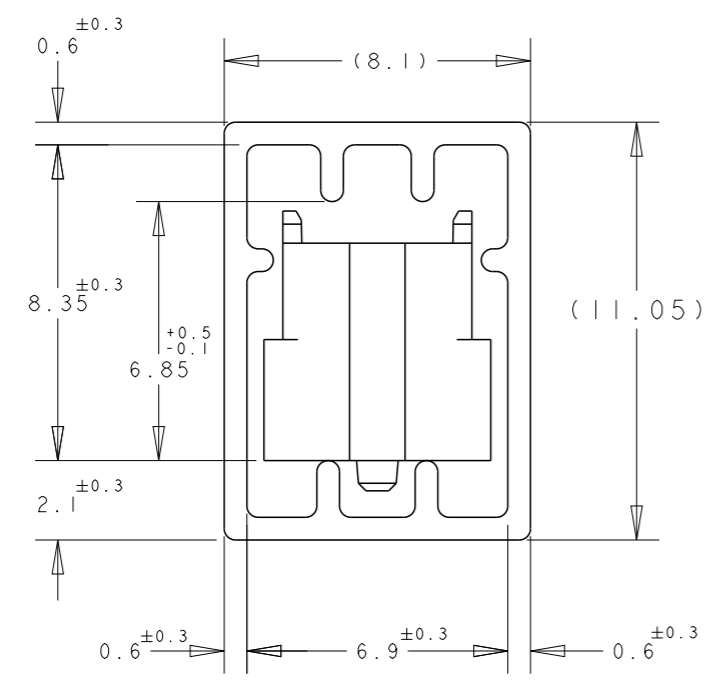
SECT B-B

PLUG ASS'Y (H=5mm, W/STEEL COVER),
 P/N 9-912056-7 0.8mm BTB STACKING CONN

REFERENCE PICTURE OF TUBE PACK



DETAIL A



DETAIL "B"
 (SCALE 5-1)

CNT	PLT	5	6	7	8	9	10	12	16	22	QTY/TUBE	FINISH	AVAILABILITY	POS.	CONN P/N	
CNT PLT 15Au/Sn	△	NOT AVAILABLE	5	84.2	85.8	79.2	200	4-	-0							
			6	76.2	77.8	71.2	180	3-	-9							
			6	68.2	69.8	63.2	160	3-	-8							
			7	60.2	61.8	55.2	140	3-	-6							
		AVAILABLE	9	52.2	53.8	47.2	120	3-	-5							
		NOT AVAILABLE	10	44.2	45.8	39.2	100	3-	-4							
			12	36.2	37.8	31.2	80	3-	-3							
			16	28.2	29.8	23.2	60	3-	-2							
			22	20.2	21.8	15.2	40	3-	-1							
CNT PLT 30Au/Sn	△	AVAILABLE	5	84.2	85.8	79.2	200	2-	-0							
			6	76.2	77.8	71.2	180	1-	-9							
			6	68.2	69.8	63.2	160	1-	-8							
			7	64.2	65.8	59.2	150	1-	-7							
			7	60.2	61.8	55.2	140	1-	-6							
		AVAILABLE	9	52.2	53.8	47.2	120	1-	-5							
			10	44.2	45.8	39.2	100	1-	-4							
			12	36.2	37.8	31.2	80	1-	-3							
			16	28.2	29.8	23.2	60	1-	-2							
			22	20.2	21.8	15.2	40	1-	-1							
CNT PLT 08Au/Sn	△	AVAILABLE	5	84.2	85.8	79.2	200	1-	-0							
			6	76.2	77.8	71.2	180		-9							
			6	68.2	69.8	63.2	160		-8							
			7	64.2	65.8	59.2	150		-7							
			7	60.2	61.8	55.2	140		-6							
		AVAILABLE	9	52.2	53.8	47.2	120		-5							
			10	44.2	45.8	39.2	100		-4							
			12	36.2	37.8	31.2	80		-3							
			16	28.2	29.8	23.2	60		-2							
			22	20.2	21.8	15.2	40		-1							5179030-1

THIS DRAWING IS A CONTROLLED DOCUMENT. DWN FLORENCE TAN 30AUG04
 CHK ERIC TNG
 APVD SEIFONG
 PRODUCT SPEC 108-5390
 APPLICATION SPEC 114-5254
 WEIGHT -

STE TE Connectivity

NAME: PLUG ASSEMBLY 7H TYPE (0.5 BOSS LENGTH) FOR FH 0.8mm PITCH BTB CONNECTOR

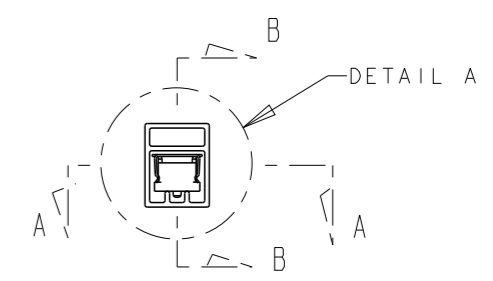
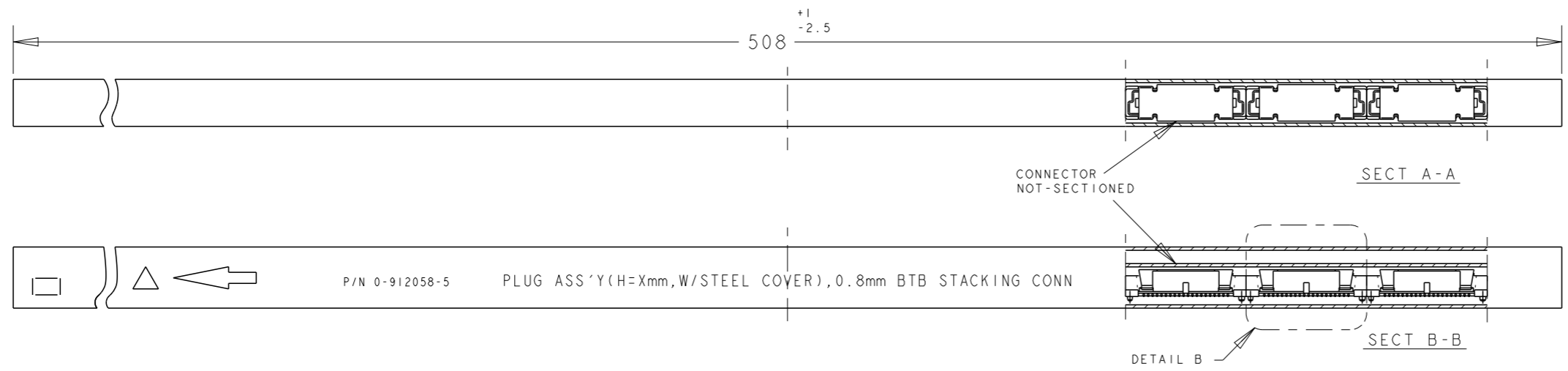
SIZE: A300779 CAGE CODE: 5179030 DRAWING NO: 5179030-1 RESTRICTED TO: -

CUSTOMER DRAWING SCALE: 4:1 SHEET: 2 OF 3 REV: B2

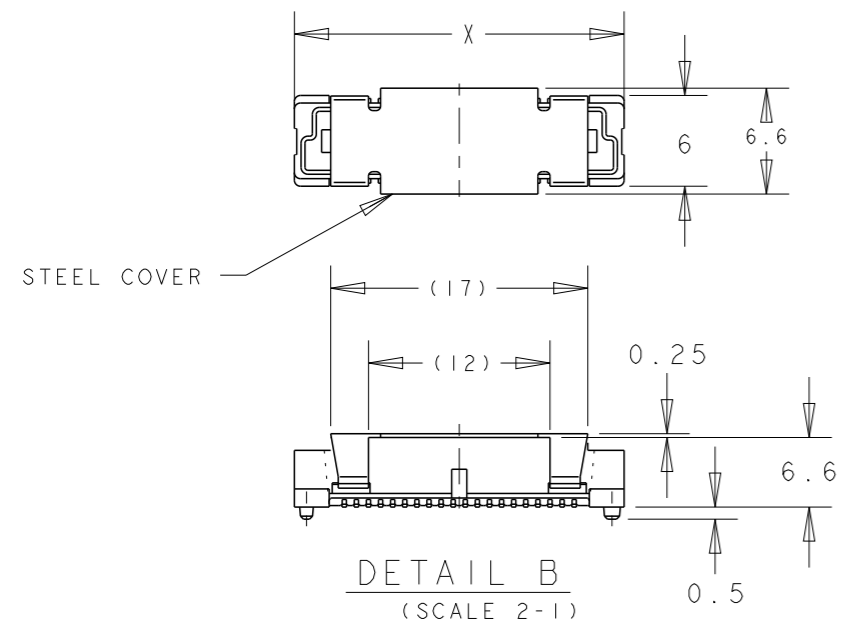
DIMENSIONS: mm		TOLERANCES UNLESS OTHERWISE SPECIFIED:	
	0 PLC ±	1 PLC ±0.30	2 PLC ±0.25
	3 PLC ±0.20	4 PLC ±	ANGLES ±3°
MATERIAL: -	FINISH: SEE P/N TABLE		

THIS DRAWING IS UNPUBLISHED. RELEASED FOR PUBLICATION 20
 © COPYRIGHT 20 BY - ALL RIGHTS RESERVED.

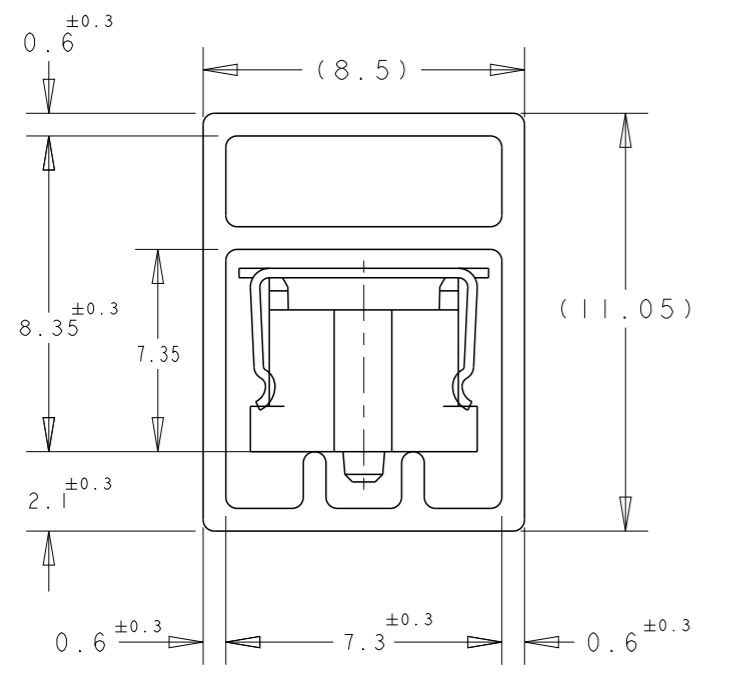
LOC DY	DIST -	REVISIONS		
P	LTR	DESCRIPTION	DATE	DWN APVD
		SEE HEET 1		



PLUG TUBE ASSY WITH STEEL COVER FOR FH 0.8 B-T-B CONNECTOR



DETAIL B
(SCALE 2-1)



DETAIL A
(SCALE 5-1)

CNT PLT 30Au/Sn 5	AVAILABLE	5	85.8	200	3-	-0	
		6	77.8	180	2-	-9	
		6	69.8	160	2-	-8	
	WITH STEEL COVER	AVAILABLE	7	65.8	150	2-	-7
			7	61.8	140	2-	-6
			9	53.8	120	2-	-5
			10	45.8	100	2-	-4
			12	37.8	80	2-	-3
			16	29.8	60	2-	-2
22	21.8	40	2-5179030-1				
FINISH/REMARKS	AVAILABILITY	QTY/TUBE	X	POS.	CONN P/N		

THIS DRAWING IS A CONTROLLED DOCUMENT.	
DIMENSIONS: mm	TOLERANCES UNLESS OTHERWISE SPECIFIED:
	0 PLC ±
	1 PLC ±0.30
	2 PLC ±0.25
	3 PLC ±0.20
	4 PLC ±
	ANGLES ±3°
MATERIAL	FINISH
	SEE P/N TABLE

30AUG04
 DWN FLORENCE TAN
 CHK ERIC TNG
 APVD SE LEONG
 PRODUCT SPEC 108-5390
 APPLICATION SPEC 114-5254
 WEIGHT -

STE TE Connectivity

NAME
 PLUG ASSEMBLY 7H TYPE
 (0.5 BOSS LENGTH)
 FOR FH 0.8mm PITCH BTB CONNECTOR

SIZE	CAGE CODE	DRAWING NO	RESTRICTED TO
A300779	C=5179030		-

CUSTOMER DRAWING SCALE 4:1 SHEET 3 OF 3 REV B2

Mouser Electronics

Authorized Distributor

Click to View Pricing, Inventory, Delivery & Lifecycle Information:

[TE Connectivity:](#)

[5179030-1](#)