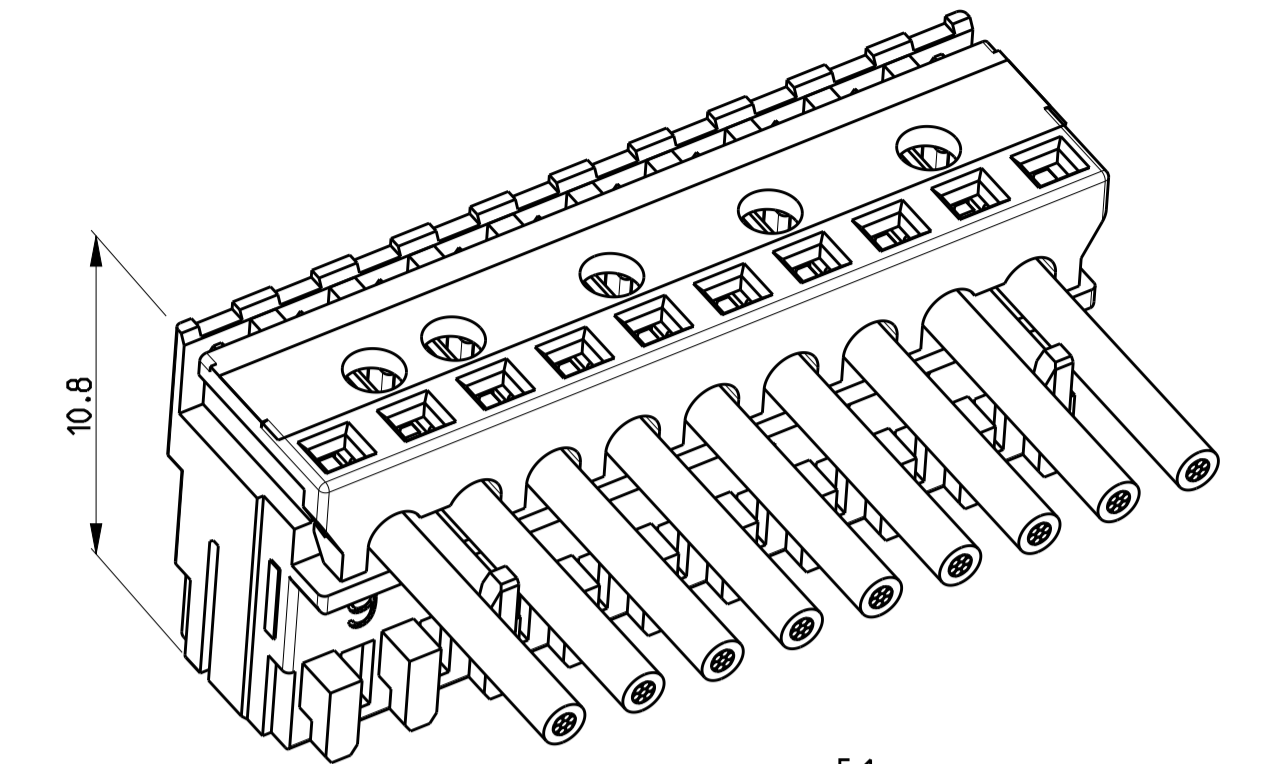


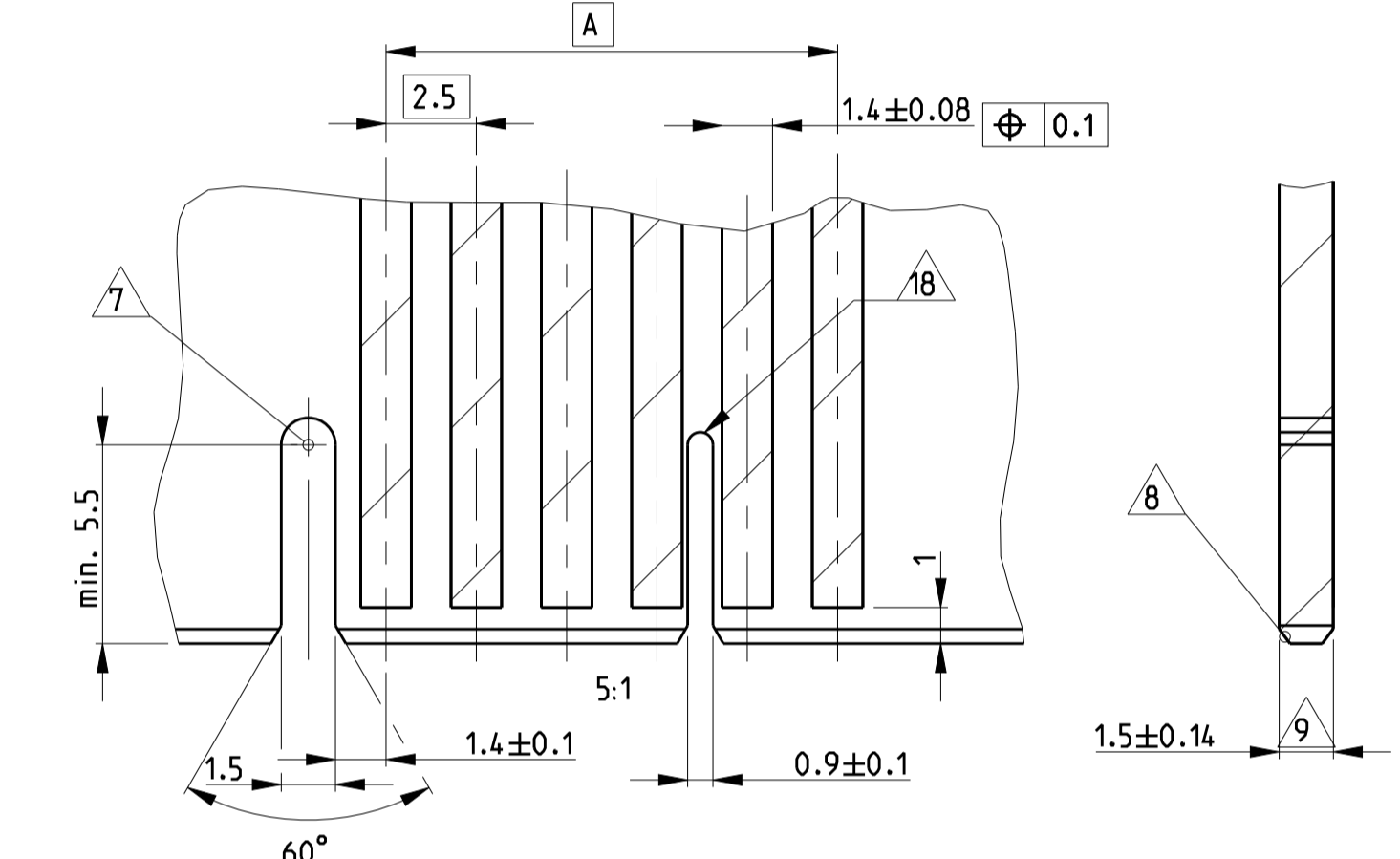
- 26 WITH SPECIAL CHAIN FEATURE
- 25 SIDE KEYING ON LAST CAVITY THICKNESS=1.5mm
- 24 SIDE KEYING ON CAVITY 1 THICKNESS=1.5mm
- 19 COLOR MARKING IN THIS AREA. COLOR SEE TABLE
- 18 SLOT, THICK, BETWEEN CAVITIES
- 17 KEYING, THICK, BETWEEN POSITION
- 16 SLOT, SLIM, FOR SIDE KEYING, LAST CAVITY Schlitz.duenn. an letzte Kammer
- 15 SLOT, SLIM, FOR SIDE KEYING, SIDE CAVITY 1 Schlitz.duenn. fuer Seitenkodierung
- 14 SIDE KEYING, SLIM, ON LAST CAVITY Seitenkodierung, duenn. an letzte Kammer
- 13 SIDE KEYING, SLIM, ON CAVITY 1 Seitenkodierung, duenn. an Kammer 1
- 12 KEYING SLIM BETWEEN POSITIONS
- 11 PRELIMINARY PART NOT RELEASED FOR PRODUCTION
- 10 TE LOGO
- 9 INCLUSIVE COPPER LOADING Inklusive Kupferkaschierung
- 8 PCB PREFERABLY CHAMFERED Leiterplatte vorzugsweise angefast
- 7 SLOT, THICK, FOR SIDE KEYING Schlitz.dick. fuer Seitenkodierung
- 6 SIDE KEYING, THICK, ON LAST CAVITY Seitenkodierung, dick. an letzte Kammer
- 5 WIRE RANG: 0.22-0.35mm² SEE APPLICATION SPEC. 114-18467 Drahtgroessenbereich: 0.22-0.35mm² siehe Verarbeitungsspec. 114-18467
- 4 IEC 60695-2-11 / IEC 60335-1 GLOW WIRE TEST 750 °C WITHOUT FLAME IEC 60695-2-11 / IEC 60335-1 Gluehdrahttest 750 °C ohne Flamme
- 3 X..CAVITY LOADED WITH CONTACT O..CAVITY WITHOUT CONTACT X..Kammer mit Kontakt bestueckt O..Kammer ohne Kontakt
- 2 MATING PART: PCB (WITH FRAMES ACC. RAST 2.5 E.G. PN 964 575/576 TABHEADER PN 829 866/867 Passender Gegenstecker: Leiterplatten (mit Rahmen nach RAST 2.5 z.B. 964 575/576) Tabwannen Nr. 829 866/867
- 1 KEYING RIBS: CUTTING WITH TERMINATION MACHINE POSSIBLE Kodierrippe; Schneiden auf der Verarbeitungsmaschine moeglich

2	SEE TABLE	CONTACT/Kontakt	CuSn	TINNED/verzinkt
1	siehe Tabelle	HOUSING/Federleistengenh.	HIGH TEMP PLASTIC	NATUR/Natur
POS.	PN Bestell-Nr.	DESCRIPTION Beschreibung	MATERIAL	COLOUR/FINISH Farbe/Oberflaeche

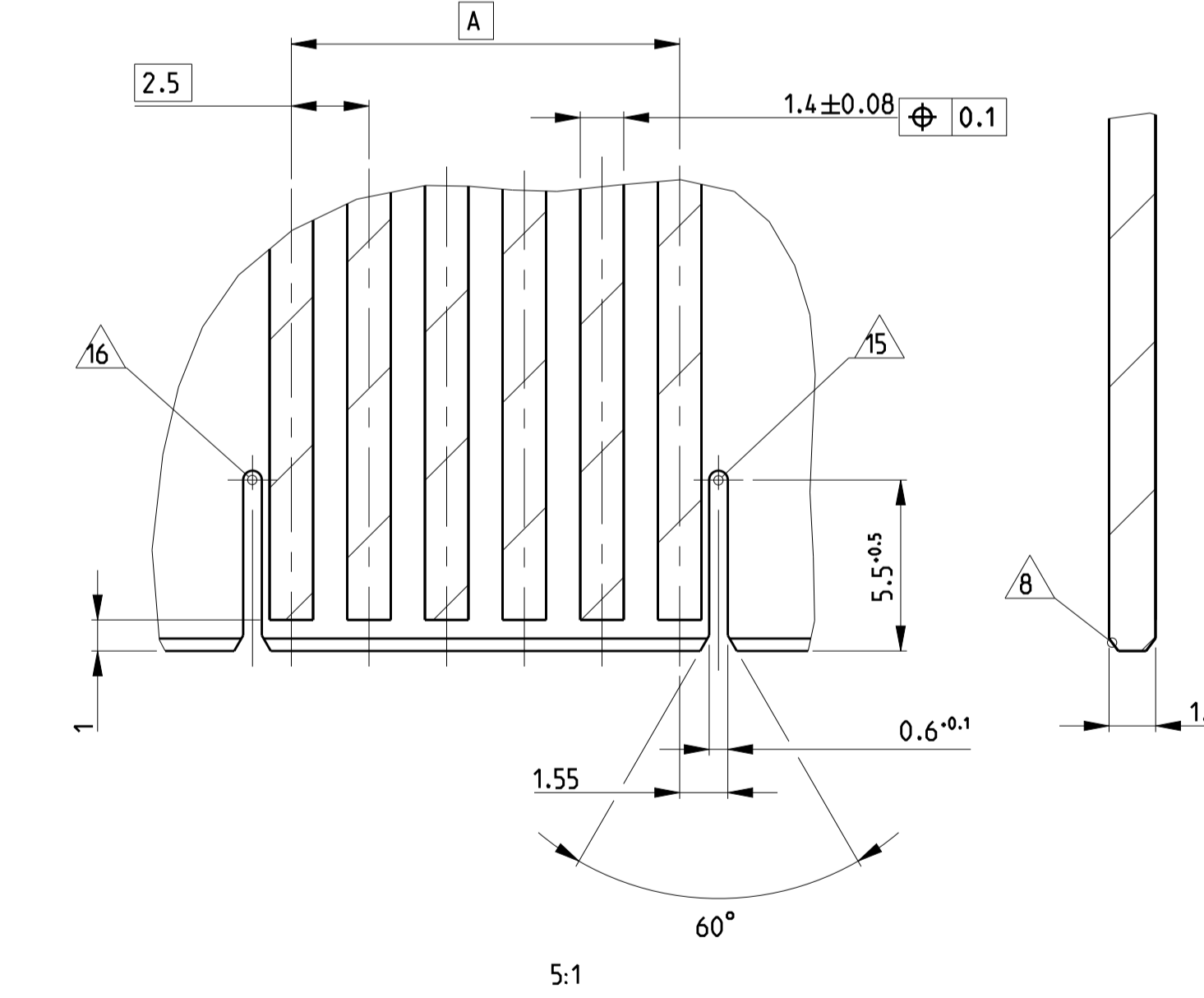
LOC	DIST	REVISIONS					
A1	-	P	LTR	DESCRIPTION	DATE	DWN	APVD
		D30	ECR-17-008889		28 JUN 2017	KD	RR
		D31	ECR-17-011339		04 AUG 2017	LZ	RR
		D32	ECR-17-014235		27 SEP 2017	KD	RR
		D33	ECR-17-017104		2 NOV 2017	LZ	RR



PCB LAYOUT KEYED / CONNECTED ONLY WITH ADDITIONAL FRAME (THICK KEYING)
Leiterplattenanschluss kodiert / nur in Verbindung mit zusaetzlichem Rahmen



PCB LAYOUT KEYED / CONNECTED ONLY WITH ADDITIONAL FRAME (SLIM KEYING)
Leiterplattenanschluss kodiert / nur in Verbindung mit zusaetzlichem Rahmen

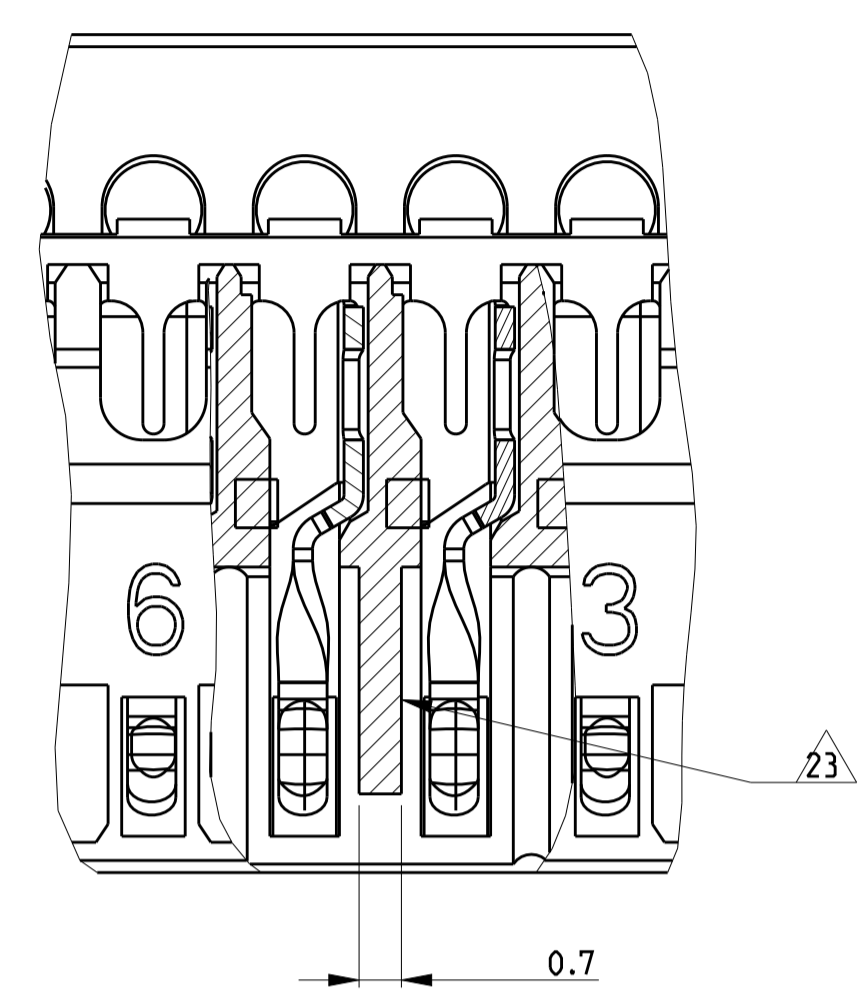
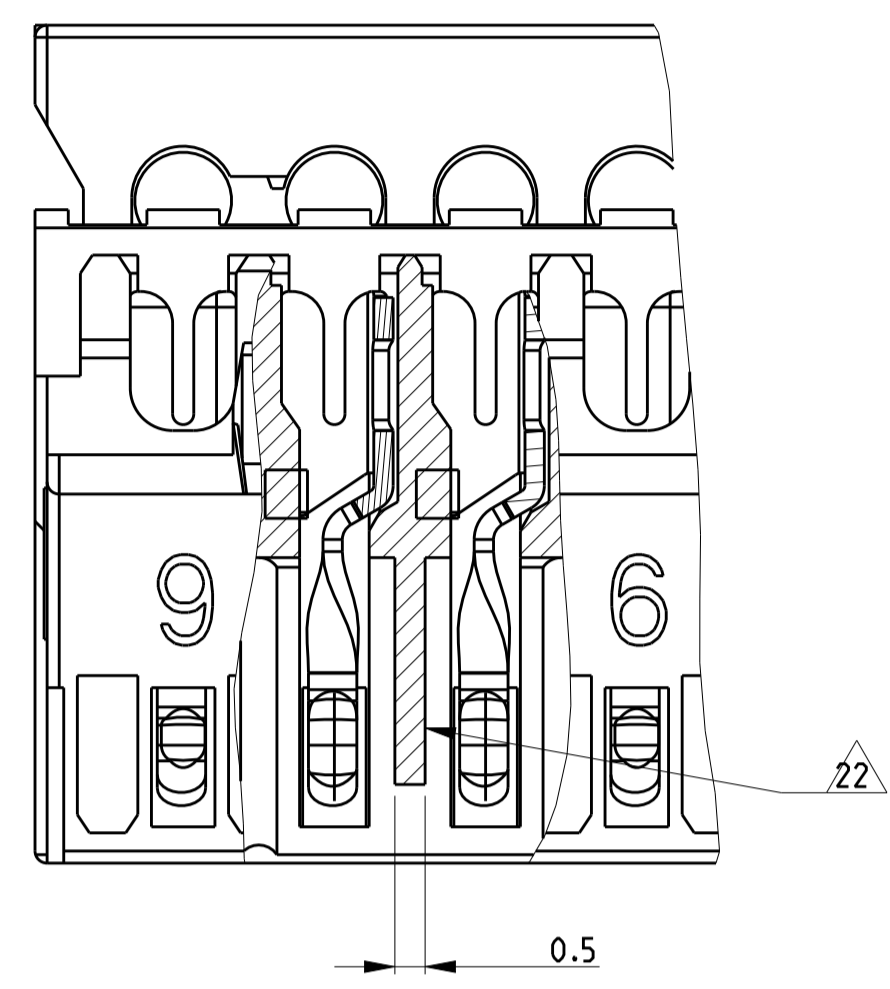


THIS DRAWING IS A CONTROLLED DOCUMENT. DWN: H. Karabiyik, 24MAY2002. CHK: B. Schnaubel, 24MAY2002. APVD: T. Klenner, 24MAY2002.

DIMENSIONS: mm	TOLERANCES UNLESS OTHERWISE SPECIFIED:	0 PLC ±0.2	1 PLC ±0.2	2 PLC ±0.2	3 PLC ±0.2	4 PLC ±0.2	ANGLES FINISH
MATERIAL		114-18467					

NAME: AMP DUOPLUG 2.5 MARK II FEMALE CONNECTOR 3-20 POSITION SELECTIVE LOADED. SIZE: A1. CAGE CODE: 00779. DRAWING NO: 1534798. SCALE: 5:1. SHEET 1 OF 3. REV: 033.

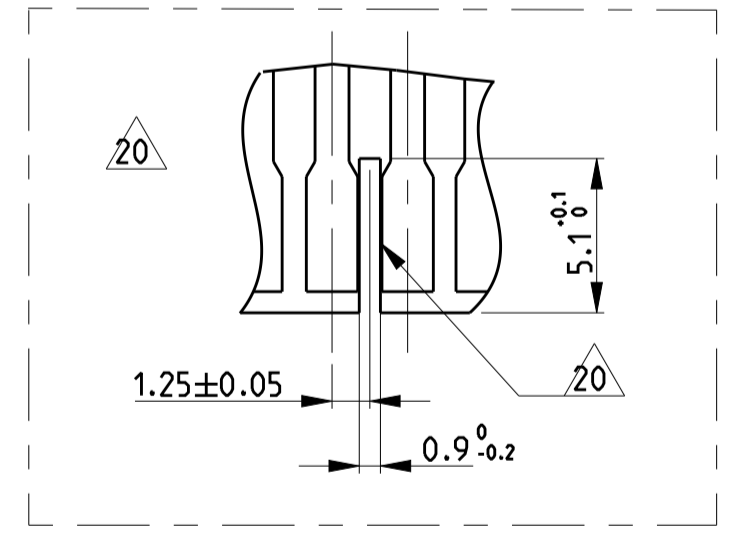
LOC	DIST	REVISIONS					
		P	LTR	DESCRIPTION	DATE	DWN	APVD
-	-	-	-	SEE SHEET 1	-	-	-



KEYING $\Delta 22$

KEYING $\Delta 23$

- $\Delta 23$ KEYING. SPECIAL THICK. BETWEEN POSITION
- $\Delta 22$ KEYING. SPECIAL THIN. BETWEEN POSITION
- $\Delta 21$ SLOT FOR KEYING SPECIAL. BETWEEN POSITION
- $\Delta 20$ RECOMMENDED PCB CUTOFF DIMENSION FOR THE PN X-2304527-Y AND X-2304528-Y



GWT 750C AND UL94 V0 VERSION																														
Color	20	19	18	17	16	15	14	13	12	11	10	9	8	7	6	5	4	3	2	1	POS. Polzahl	DIM A	DIM B	KEYING	KEYING	KEYING	KEYING	PN	Bestell-Nr.	
Blue										X	0	X	0	X	0	X	0	X	0	X	13	30	34.9			-	2/3	1-2304528-3	2304528-3	
Orange										X	0	X	X	X	X	X	X	X	X	X	11	25	29.9			-	-	2-2304528-1	1-2304528-1	
Green										X	0	X	0	X	0	X	0	X	0	X						-	-	2304528-1	2304528-1	
										X	X	X	0	X	0	X	0	X	0	X	10	22.5	27.4					2-2304528-0	1-2304528-0	
										X	0	X	0	X	0	X	0	X	0	X								3-2304527-9	2-2304527-9	
Black										X	0	X	X	0	X	X	0	X	0	X	9	20	24.9			-	2/3	1-2304527-9	1-2304527-9	
Blue										X	X	X	X	X	X	0	X	X							-	2/3	2304527-9	2304527-9		
										X	0	X	0	X	0	X	0	X	0	X								4-2304527-7	3-2304527-7	
Black										X	X	X	0	X	X	0	X	X			7	15	19.9			-	2/3	2-2304527-7	1-2304527-7	
Green										X	0	X	0	X	0	X	0	X								-	-	1-2304527-7	2304527-7	
Blue										X	0	X	0	X	0	X										-	-	2304527-7	2304527-7	
Red										X	X	0	X	0	X													6-2304527-6	5-2304527-6	
Black										X	0	X	X	0	X													4-2304527-6	3-2304527-6	
Green										X	X	0	X	0	X						6	12.5	17.4					2-2304527-6	1-2304527-6	
Blue										X	0	X	0	X	X											-	-	1-2304527-6	2304527-6	
Red										X	0	X	X	0	X											-	-	2304527-6	2304527-6	
Red										X	X	X	0	X											3/4			4-2304527-5	3-2304527-5	
Red										X	0	0	0	X							5	10	14.9					2-2304527-5	1-2304527-5	
										X	0	0	0	X												-	-	1-2304527-5	2304527-5	
Green										X	0	X	0	X													-	-	2304527-5	2304527-5
Black										X	X	0	0								4	7.5	12.4			-	3/4	2304527-4	2304527-4	
Red										X	0	X														2/3		8-2304527-3	7-2304527-3	
Red										X	0	X														1/2		7-2304527-3	6-2304527-3	
										X	0	X														2/3		6-2304527-3	5-2304527-3	
Blue										X	0	X																4-2304527-3	3-2304527-3	
										X	0	X									3	5	9.9					3-2304527-3	2-2304527-3	
Black										X	0	X														1/2	-	3-2304527-3	1-2304527-3	
Red										X	0	X														2/3	-	2-2304527-3	1-2304527-3	
Brown										X	0	X														-	-	1-2304527-3	2304527-3	
Orange										X	0	X														-	-	2304527-3	2304527-3	

THIS DRAWING IS A CONTROLLED DOCUMENT. DWN: H. Karabiyik, 24MAY2002; CHK: B. Schnaubel, 24MAY2002; APVD: T. Klenner, 24MAY2002.

STE TE Connectivity

NAME: AMP DUOPLUG 2.5 MARK II FEMALE CONNECTOR 3-20 POSITION SELECTIVE LOADED

PRODUCT SPEC: 108-18785 APPLICATION SPEC: 116-18467

SIZE: A1 CAGE CODE: 00779 DRAWING NO: 1534798

SCALE: 10:1 SHEET 3 OF 3

Mouser Electronics

Authorized Distributor

Click to View Pricing, Inventory, Delivery & Lifecycle Information:

[TE Connectivity:](#)

[4-1534798-8](#)