

6-32 SET SCREW

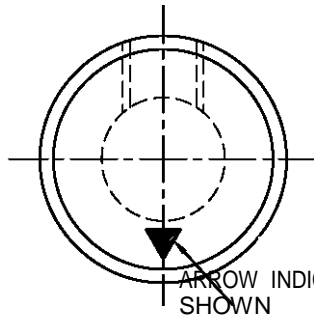
ZONE

REVISIONS

DESCRIPTION

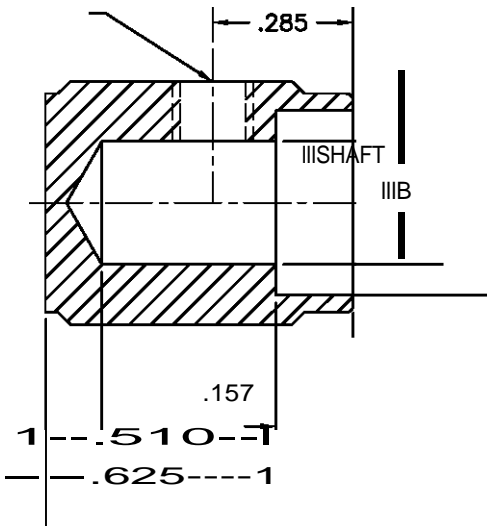
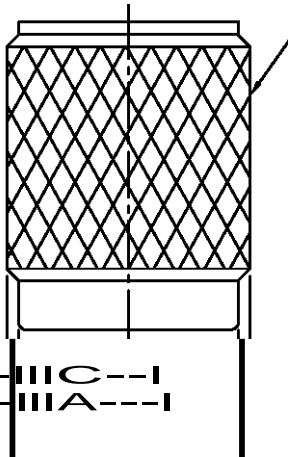
DATE

APPROVED



ARROW INDICATOR SHOWN

DIAMOND KNURL



1 .510 T
1 .625 1

INDICATOR	MODEL	A	B	C	COLOR CHOICE	SHAFT
A - ARROW	50	.500	.375	.445	1 - CLEAR GLOSS	5 - .250
L - LINE	63	.625	.500	.570	2 - BLACK GLOSS	6 - .125
NI - No Indicator	75	.750	.590	.695	3 - CLEAR MATIE	7 - 6MM
	90	.925	.708	.882	4 - BLACK MATTE	

1 III C I
1 III A I

UNLESS OTHERWISE SPECIFIED

DIMENSIONS ARE IN INCHES

TOLERANCES

X = ±.03

XX = ±.01

XXX = ±.005

ANGLES = ±5°

BREAK ALL SHARP EDGES .016-.020

ALL SMALL FILLETS .020 - .040

ALL FINISHED SURFACES 125/

DO NOT SCALE DRAWING

KILO INTERNATIONAL PROPRIETARY

THIS DOCUMENT AND THE DATA DISCLOSED HEREIN OR HEREVITH IS NOT TO BE REPRODUCED, USED OR DISCLOSED IN WHOLE OR IN PART TO ANYONE WITHOUT WRITTEN PERMISSION OF KILO INTERNATIONAL.

KILO
INTERNATIONAL

1525 IRONTON BOULEVARD
P.O. BOX 51005
PROVO, UTAH 84606 USA
WWW.KILOINTERNATIONAL.COM

DRAWN
K FOWLER

DATE
03/05

SIZE
B

FSCM NO.

DWG NO.

OED-002

REV
A

APPROVED
C JOHNSON

DATE
03/05

SCALE: 4/1

TITLE
OED CATALOG

SHEET 1 OF 1