

### Features

- SMPTE 424M, SMPTE 292M, and SMPTE 259M compliant
- Automatic cable equalization
- 0.3UI Maximum Output Jitter at 2.97Gb/s
- Multi-standard operation from 143Mb/s to 2.97Gb/s
- Supports DVB-ASI at 270Mb/s
- Small footprint (4mm x 4mm)
- Pb-free and RoHS compliant
- Manual bypass (useful for low data rates with slow rise/fall times)
- Performance optimized for 1.485Gb/s and 2.97Gb/s
- Typical equalized length of Belden 1694A cable: 120m at 2.97Gb/s, 200m at 1.485Gb/s, and 350m at 270Mb/s
- 50Ω differential output (internal 50Ω pull-ups)
- Programmable mute based on max cable length adjust
- Single 3.3V power supply operation
- Operating temperature range: 0°C to +70°C

### Applications

- SMPTE 424M, SMPTE 292M, and SMPTE 259M Coaxial Cable Serial Digital Interfaces.

### Description

The GS2974A is a high-speed BiCMOS integrated circuit designed to equalize and restore signals received over 75Ω coaxial cable.

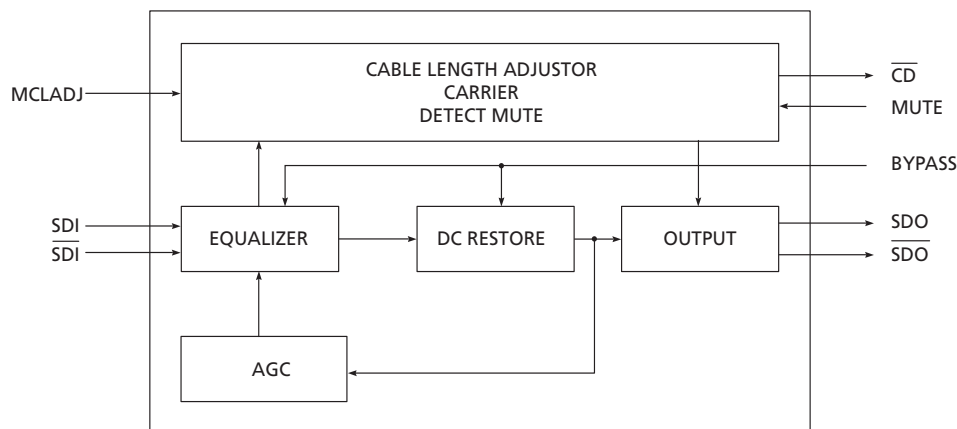
The GS2974A is designed to support SMPTE 424M, SMPTE 292M, and SMPTE 259M, and is optimized for performance at 1.485Gb/s and 2.97Gb/s.

The GS2974A features DC restoration to compensate for the DC content of SMPTE pathological test patterns.

A voltage programmable mute threshold (MCLADJ), applicable for SD mode (refer to [Section 4.3](#)), is included to allow muting of the GS2974A output when an approximate selected cable length is reached for SMPTE 259M signals. This feature allows the GS2974A to distinguish between low amplitude SD-SDI signals and noise at the input of the device. The serial digital outputs of the GS2974A may be forced to a mute state by applying a voltage to the MUTE pin.

Power consumption is typically 215mW using a 3.3V power supply. The GS2974A is lead-free, and the encapsulation compound does not contain halogenated flame retardant.

This component and all homogeneous subcomponents are RoHS compliant.



**GS2974A Functional Block Diagram**

## Revision History

Version	ECO	PCN	Date	Changes and/or Modifications
4	026053	-	June 2015	Template format updated.
3	151331	-	January 2009	Added 2500pc reel size to <a href="#">6.6 Ordering Information</a> . Changed the Output Voltage Swing from 550mV <sub>pp</sub> to 600mV <sub>pp</sub> in <a href="#">Table 2-3: AC Electrical Characteristics</a> .
2	149719	-	April 2008	Added "0.3UI Maximum Output Jitter at 2.97Gb/s" to <a href="#">Features Section</a> and <a href="#">Table 2-3: AC Electrical Characteristics</a> . Changed cables lengths from 100 to 120 and 400 to 350 in <a href="#">Section 4. Detailed Description</a> . Re-wrote <a href="#">Section 4.3 Programmable Maximum Cable Length Adjust (MCLADJ)</a> . Added Tape & Reel to <a href="#">6.6 Ordering Information</a> .
1	145131	-	May 2007	Converted to Data Sheet.
0	144247	-	February 2007	Converted to Preliminary Data Sheet. Removed 'Proprietary and Confidential' footer. Modified <a href="#">DC Electrical Characteristics</a> and <a href="#">AC Electrical Characteristics</a> table. Added section <a href="#">6.4 Marking Diagram</a> .
A	143102	-	December 2006	New document.

---

# Contents

Features .....	1
Applications .....	1
Description .....	1
Revision History .....	2
1. Pin Out .....	4
1.1 GS2974A Pin Assignment .....	4
1.2 GS2974A Pin Descriptions .....	4
2. Electrical Characteristics.....	6
2.1 Absolute Maximum Ratings .....	6
2.2 DC Electrical Characteristics .....	6
2.3 AC Electrical Characteristics .....	7
Test Circuit.....	8
3. Input/Output Circuits.....	8
4. Detailed Description.....	9
4.1 Serial Digital Inputs .....	9
4.2 Cable Equalization .....	10
4.3 Programmable Maximum Cable Length Adjust (MCLADJ) .....	10
4.4 Mute and Carrier Detect .....	11
5. Application Information.....	12
5.1 PCB Layout .....	12
5.2 Typical Application Circuit .....	12
6. Package & Ordering Information .....	13
6.1 Package Dimensions .....	13
6.2 Packaging Data .....	13
6.3 Recommended PCB Footprint .....	14
6.4 Marking Diagram .....	14
6.5 Solder Reflow Profiles .....	15
6.6 Ordering Information .....	15

# 1. Pin Out

## 1.1 GS2974A Pin Assignment

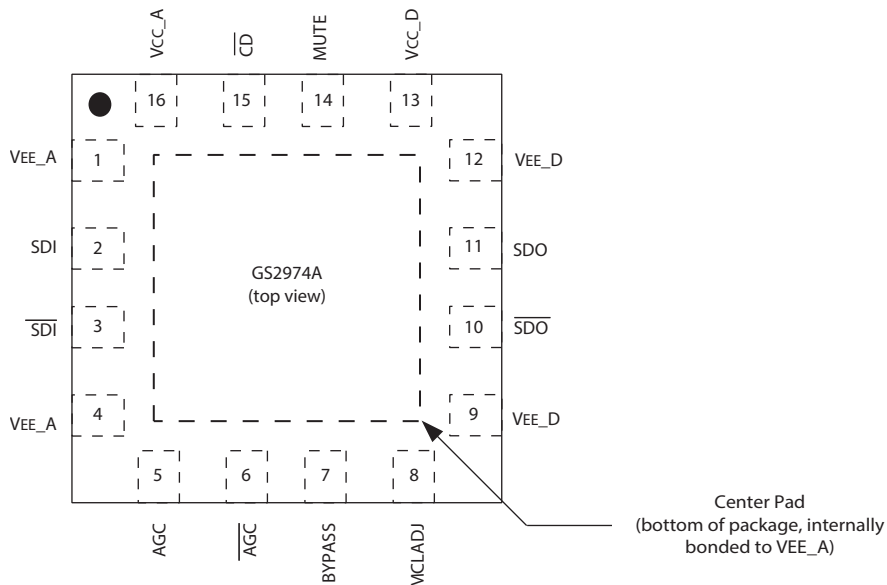


Figure 1-1: 16-Pin QFN

## 1.2 GS2974A Pin Descriptions

Table 1-1: GS2974A Pin Descriptions

Pin Number	Name	Timing	Type	Description
1, 4	VEE_A	Analog	Power	Most negative power supply for analog circuitry. Connect to GND.
2, 3	SDI, $\overline{\text{SDI}}$	Analog	Input	Serial digital differential input.
5, 6	AGC, $\overline{\text{AGC}}$	Analog	—	External AGC capacitor. Connect pin 5 and pin 6 together as shown in the <a href="#">Typical Application Circuit on page 12</a> .
7	BYPASS	Not Synchronous	Input	Forces the Equalizing and DC RESTORE stages into bypass mode when HIGH. No equalization occurs in this mode.
8	MCLADJ	Analog	Input	Maximum cable length adjust. Adjusts the approximate maximum amount of cable to be equalized. See <a href="#">Section 4.3</a> and <a href="#">Section 4.4</a> .
9	VEE_D	Analog	Power	Most negative power supply for the digital circuitry and output buffer. Connect to GND.

**Table 1-1: GS2974A Pin Descriptions (Continued)**

Pin Number	Name	Timing	Type	Description
10, 11	$\overline{\text{SDO}}$ , SDO	Analog	Output	Equalized serial digital differential output.
12	VEE_D	Analog	Power	Most negative power supply for the digital circuitry and output buffer. Connect to GND.
13	VCC_D	Analog	Power	Most positive power supply for the digital I/O pins of the device. Connect to +3.3V DC.
14	MUTE	Not Synchronous	Input	Control signal input levels are LVCMOS/LVTTL compatible. (3.3V Tolerant). Controls output behaviour on SDO and $\overline{\text{SDO}}$ . See <a href="#">Section 4.4</a> .
15	$\overline{\text{CD}}$	Not Synchronous	Output	Status signal output signal levels are LVCMOS/LVTTL compatible. Indicates the presence of a good input signal. See <a href="#">Section 4.4</a> .
16	VCC_A	Analog	Power	Most positive power supply for the analog circuitry of the device. Connect to +3.3V DC.
—	Center Pad	—	Power	Internally bonded to VEE_A.

## 2. Electrical Characteristics

### 2.1 Absolute Maximum Ratings

Table 2-1: Absolute Maximum Ratings

Parameter	Value
Supply Voltage	-0.3V to +3.6 VDC
Input ESD Voltage	2kV
Storage Temperature Range	-50°C < T <sub>s</sub> < +125°C
Input Voltage Range (any input)	-0.3V to (V <sub>CC</sub> +0.3)V
Operating Temperature Range	0°C to +70°C
Solder Reflow Temperature	260°C

### 2.2 DC Electrical Characteristics

Table 2-2: DC Electrical Characteristics

V<sub>CC</sub> = +3.3V ±5%, T<sub>A</sub> = 0°C to +70°C, unless otherwise shown

Parameter	Symbol	Conditions	Min	Typ	Max	Units	Notes
Supply Voltage	V <sub>CC</sub>	—	3.135	3.3	3.465	V	±5%
Power Consumption	P <sub>D</sub>	T <sub>A</sub> = 25°C	—	215	343	mW	—
Supply Current	I <sub>s</sub>	T <sub>A</sub> = 25°C	—	65	98	mA	—
Output Common Mode Voltage	V <sub>CMOUT</sub>	T <sub>A</sub> = 25°C	—	V <sub>CC</sub> - ΔV <sub>SDO</sub> /2	—	V	—
Input Common Mode Voltage	V <sub>CMIN</sub>	T <sub>A</sub> = 25°C	—	1.75	—	V	—
MCLADJ DC Voltage (to mute signal)	—	0m, T <sub>A</sub> = 25°C	—	3.2	—	V	—
MCLADJ Range	—	T <sub>A</sub> = 25°C	—	0.5	—	V	—
CD Output Voltage	V <sub>CD(OH)</sub>	Carrier not present	2.4	—	—	V	—
	V <sub>CD(OL)</sub>	Carrier present	—	—	0.4	V	—

**Table 2-2: DC Electrical Characteristics (Continued)** $V_{CC} = +3.3V \pm 5\%$ ,  $T_A = 0^\circ C$  to  $+70^\circ C$ , unless otherwise shown

Parameter	Symbol	Conditions	Min	Typ	Max	Units	Notes
Mute Input Voltage Required to Force Outputs to Mute	$V_{Mute}$	Min to Mute	2.0	—	—	V	—
Mute Input Voltage Required to Force Outputs Active	$V_{Mute}$	Max to Activate	—	—	0.8	V	—

## 2.3 AC Electrical Characteristics

**Table 2-3: AC Electrical Characteristics** $V_{CC} = +3.3V \pm 5\%$ ,  $T_A = 0^\circ C$  to  $+70^\circ C$ , unless otherwise shown

Parameter	Symbol	Conditions	Min	Typ	Max	Units	Notes
Serial Input Data Rate	$DR_{SDO}$	—	143	—	2970	Mb/s	—
Input Voltage Swing	$\Delta V_{SDI}$	$T_A = 25^\circ C$ , differential, 270Mb/s and 1.485Gb/s	720	800	950	mV <sub>pp</sub>	1
		$T_A = 25^\circ C$ , differential, 2.97Gb/s	720	800	880	mV <sub>pp</sub>	1
Output Voltage Swing	$\Delta V_{SDO}$	100 $\Omega$ load, $T_A = 25^\circ C$ , differential	600	750	1050	mV <sub>pp</sub>	—
Output Jitter of Various Cable Lengths and Data Rates		270Mb/s Belden 1694A: 0-300m	—	—	0.2	UI	2,5
		270Mb/s Belden 1694A: 300-350m	—	0.2	—	UI	4,5
		1.485Gb/s Belden 1694A: 0-140m	—	—	0.25	UI	2,5
		1.485Gb/s Belden 1694A: 140-200m	—	0.3	—	UI	4,5
		2.97Gb/s Belden 1694A: 0-70m	—	—	0.3	UI	2,5
		2.97Gb/s Belden 1694A: 70-120m	—	0.3	—	UI	4,5
Output Rise/Fall Time		20% - 80%	40	80	220	ps	—
Mismatch in Rise/Fall Time		—	—	—	30	ps	—
Duty Cycle Distortion		—	—	—	30	ps	—
Overshoot		—	—	—	10	%	—
Input Return Loss		—	15	21	—	dB	3
Input Resistance		single-ended	—	1.52	—	k $\Omega$	—

## Table 2-3: AC Electrical Characteristics (Continued)

$V_{CC} = +3.3V \pm 5\%$ ,  $T_A = 0^\circ C$  to  $+70^\circ C$ , unless otherwise shown

Parameter	Symbol	Conditions	Min	Typ	Max	Units	Notes
Input Capacitance		single-ended	—	1	—	pF	—
Output Resistance		single-ended	—	50	—	$\Omega$	—

### NOTES:

- 0m cable length.
- All parts were production tested. In order to guarantee jitter over the full range of specification ( $V_{CC} = 3.3V \pm 5\%$ ,  $T_A = 0^\circ C$  to  $+70^\circ C$ , and 720 to 880mV launch swing from the SDI cable driver) the recommended applications circuit must be used.
- Tested on CB2974A board from 5MHz to 3GHz.
- Based on characterization data using the recommended applications circuit, at  $V_{CC} = +3.3V$ ,  $T_A = 25^\circ C$  and 800mV launch swing from the SDI cable driver
- Equalizer Pathological test signal was used.

## Test Circuit

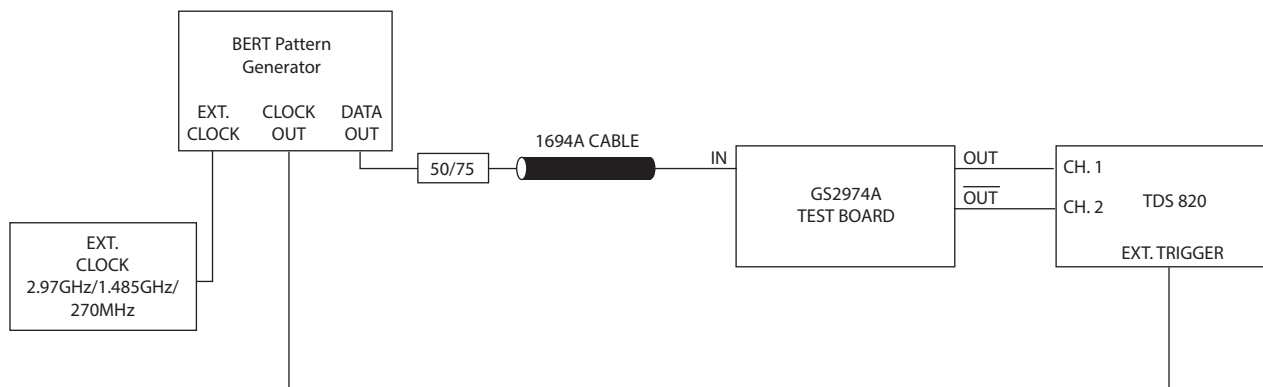


Figure 2-1: Test Circuit



# 3. Input/Output Circuits

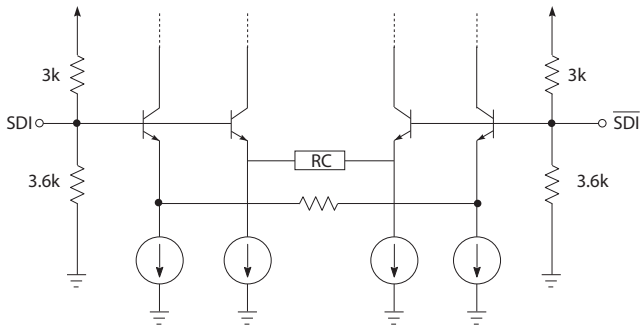


Figure 3-1: Input Equivalent Circuit

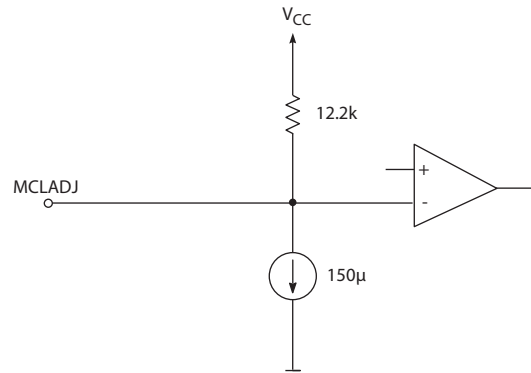


Figure 3-2: MCLADJ Equivalent Circuit

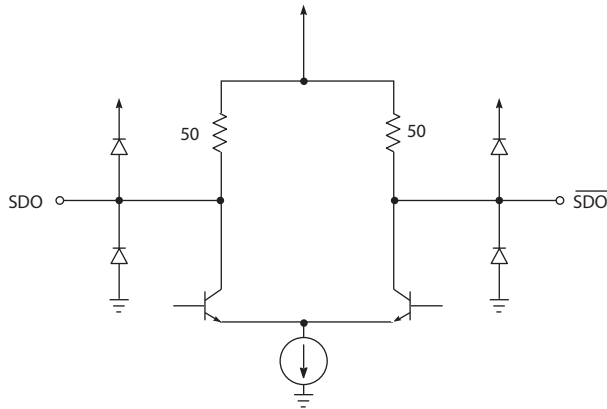


Figure 3-3: Output Circuit

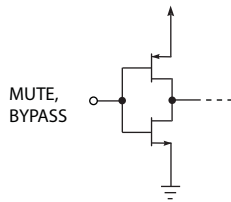


Figure 3-4: MUTE and BYPASS Circuits

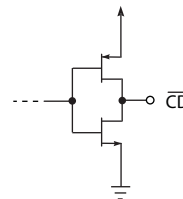


Figure 3-5:  $\overline{CD}$  Circuit

## 4. Detailed Description

The GS2974A is a high speed BiCMOS IC designed to equalize serial digital signals.

The GS2974A can equalize both HD and SD serial digital signals, and will typically equalize 120m of Belden 1694A cable at 2.97Gb/s, 200m at 1.485Gb/s, and 350m at 270Mb/s. The GS2974A is powered from a single +3.3V power supply and consumes approximately 215mW of power.

### 4.1 Serial Digital Inputs

The serial data signal may be connected to the input pins ( $\overline{\text{SDI}}/\overline{\text{SDI}}$ ) in either a differential or single-ended configuration. AC-coupling of the inputs is recommended, as the  $\overline{\text{SDI}}$  and  $\overline{\text{SDI}}$  inputs are internally biased at approximately 1.8V.

### 4.2 Cable Equalization

The input signal passes through a variable gain equalizing stage whose frequency response closely matches the inverse of the cable loss characteristic. In addition, the variation of the frequency response with control voltage imitates the variation of the inverse cable loss characteristic with cable length.

The edge energy of the equalized signal is monitored by a detector circuit which produces an error signal corresponding to the difference between the desired edge energy and the actual edge energy. This error signal is integrated by both an internal and an external AGC filter capacitor providing a steady control voltage for the gain stage. As the frequency response of the gain stage is automatically varied by the application of negative feedback, the edge energy of the equalized signal is kept at a constant level which is representative of the original edge energy at the transmitter. The equalized signal is also DC restored, effectively restoring the logic threshold of the equalized signal to its correct level independent of shifts due to AC-coupling. The digital output signals have a nominal voltage of  $750\text{mV}_{\text{ppd}}$ , or  $375\text{mV}_{\text{pp}}$  single-ended when terminated with  $50\Omega$  as shown in Figure 4-1.

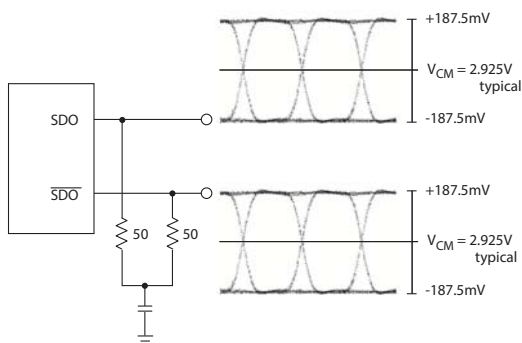


Figure 4-1: Typical Output Voltage Levels

---

## 4.3 Programmable Maximum Cable Length Adjust (MCLADJ)

For SMPTE 259M inputs, the GS2974A incorporates a programmable Maximum Cable Length Adjust (MCLADJ) threshold.

This feature can be useful in applications where there are multiple input channels using the GS2974A and the maximum gain can be limited to avoid crosstalk.

The MCLADJ pin acts to change the threshold of the Carrier Detect ( $\overline{CD}$ ) pin. When the input signal drops below a certain threshold, the  $\overline{CD}$  pin will be driven HIGH, indicating that there is not a valid input signal. In order to enable automatic muting of the output of the GS2974A, the  $\overline{CD}$  pin should be connected directly to the MUTE pin. In applications where programmable maximum cable length adjust is not required, the MCLADJ pin may be left unconnected.

This feature has been designed for use in applications such as routers, where signal crosstalk and circuit noise cause the Equalizer to output erroneous data when no input signal is present. The use of a Carrier Detect function with a fixed internal reference does not solve this problem, since the signal to noise ratio on the circuit board could be significantly less than the default signal detection level set by the on chip reference.

**NOTE:** MCLADJ is only recommended for data rates up to 360Mb/s. For data rates above this, MCLADJ should be left floating.

## 4.4 Mute and Carrier Detect

The GS2974A includes a MUTE input pin that allows the application interface to mute the serial digital output at any time. Set the MUTE pin HIGH to mute SDO and  $\overline{SDO}$ . In this case, the outputs will mute regardless of the setting of the BYPASS pin.

A Carrier Detect output pin ( $\overline{CD}$ ) indicates the presence of a valid signal at the input of the GS2974A. When  $\overline{CD}$  is LOW, the device has detected a valid input on SDI and  $\overline{SDI}$ . When  $\overline{CD}$  is HIGH, the device has not detected a valid input.

**NOTE:** This pin may be connected directly to the  $\overline{CD}$  pin to allow mute on loss of carrier.

**NOTE:**  $\overline{CD}$  will only detect loss of carrier for data rates greater than 19Mb/s. The  $\overline{CD}$  output pin may be connected directly to the MUTE input pin to enable automatic muting of the GS2974A when no valid input signal has been detected.

**NOTE:** If the maximum cable length is exceeded and the device is not in Bypass mode the GS2974A will not assert the  $\overline{CD}$  pin even if a carrier is present.

**Table 4-1: Mute Input Table**

Mute	Function
0	SDO and $\overline{SDO}$ operate normally.
1	SDO and $\overline{SDO}$ are forced to a steady state.

**Table 4-2:  $\overline{CD}$  Output Table**

$\overline{CD}$	Input Status
0	Valid Input on SDI, $\overline{SDI}$ pins.
1	Input is not valid.

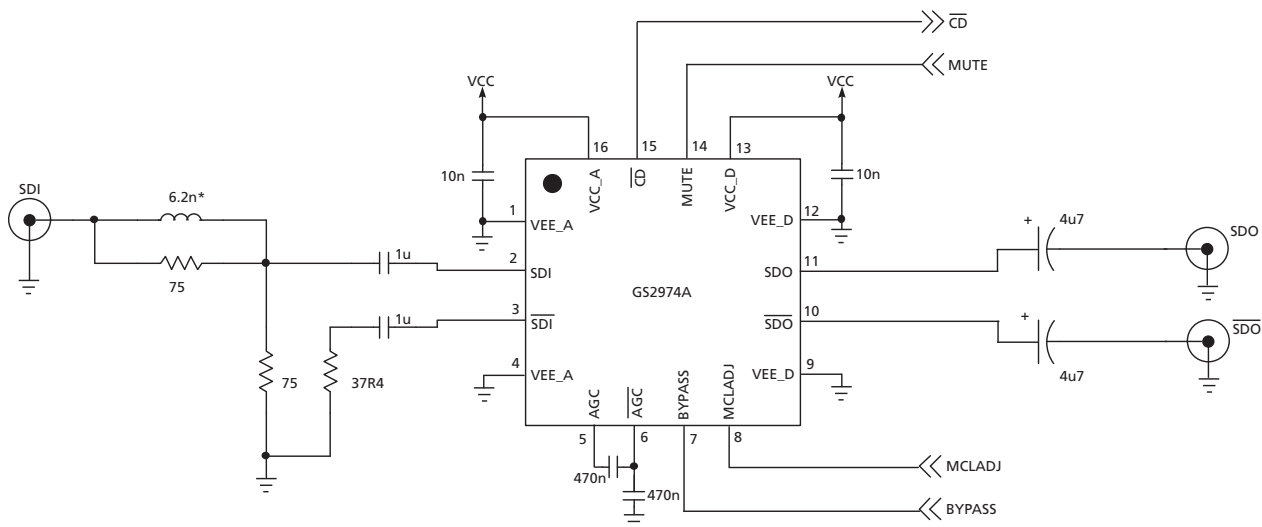
## 5. Application Information

### 5.1 PCB Layout

Special attention must be paid to component layout when designing serial digital interfaces for HDTV. An FR-4 dielectric can be used, however, controlled impedance transmission lines are required for PCB traces longer than approximately 1cm. Note the following PCB artwork features used to optimize performance:

- PCB trace width for HD rate signals is closely matched to SMT component width to minimize reflections due to change in trace impedance.
- The PCB ground plane is removed under the GS2974A input components to minimize parasitic capacitance.
- The PCB ground plane is removed under the GS2974A output components to minimize parasitic capacitance.
- High-speed traces are curved to minimize impedance changes.

### 5.2 Typical Application Circuit



NOTE: All resistors in Ohms, capacitors in Farads, and inductors in Henrys, unless otherwise noted.  
\* Value dependent on layout

**Figure 5-1: GS2974A Typical Application Circuit**

# 6. Package & Ordering Information

## 6.1 Package Dimensions

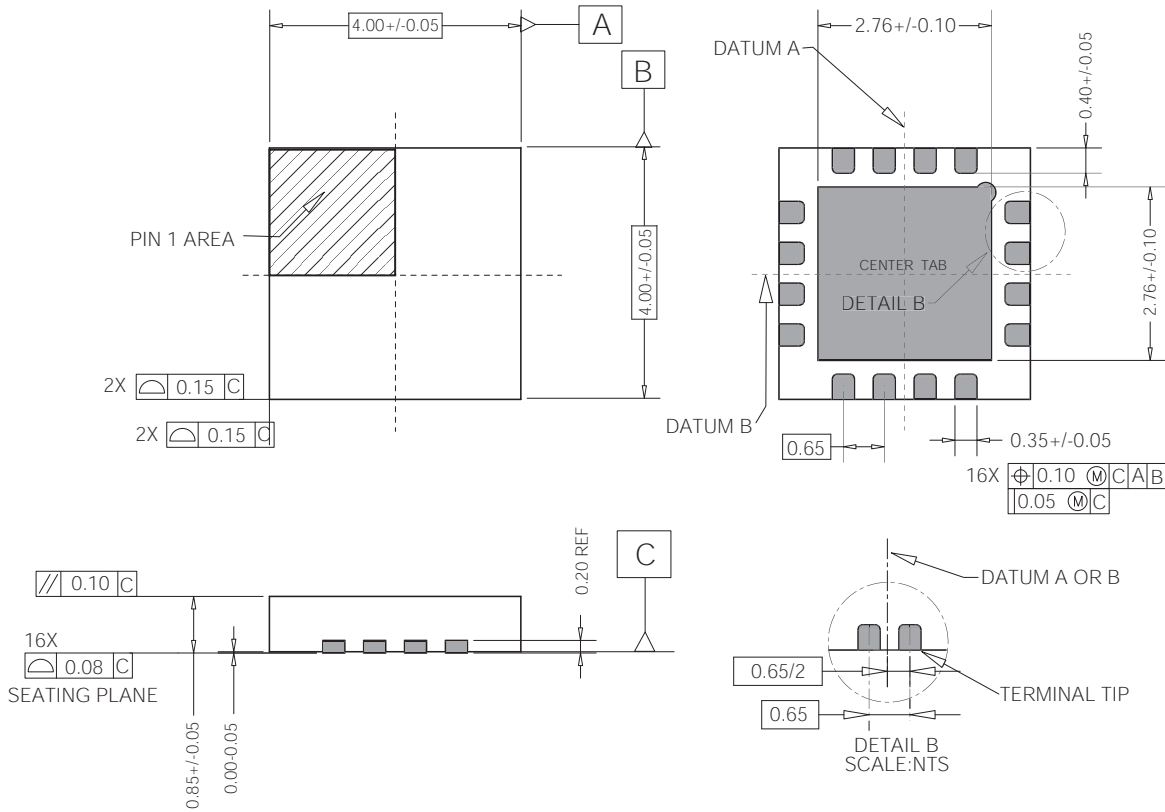


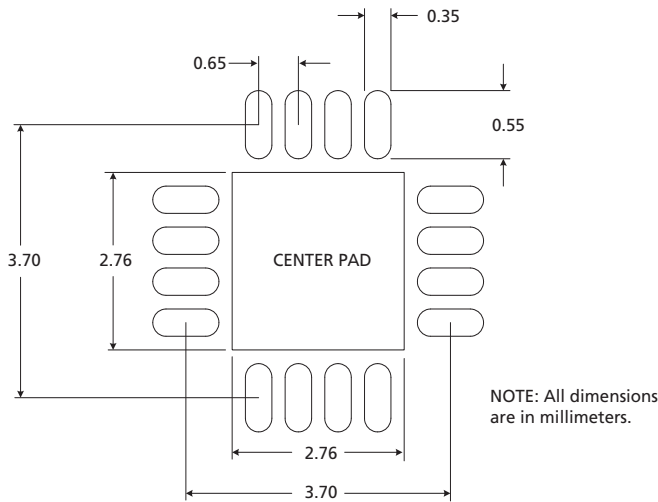
Figure 6-1: Packaging Dimensions

## 6.2 Packaging Data

Table 6-1: Packaging Data

Parameter	Value
Package Type	4mm x 4mm 16-pin QFN
Package Drawing Reference	JEDEC M0220
Moisture Sensitivity Level	3
Junction to Case Thermal Resistance, $\theta_{j-c}$	31.0°C/W
Junction to Air Thermal Resistance, $\theta_{j-a}$ (at zero airflow)	43.8°C/W
Psi, $\psi$	11.0°C/W
Pb-free and RoHS compliant	Yes

## 6.3 Recommended PCB Footprint



**Figure 6-2: Recommended PCB Footprint**

The Center Pad should be connected to the most negative power supply plane for analog circuitry in the device (VEE\_A) by a minimum of five vias.

**NOTE:** Suggested dimensions only. Final dimensions should conform to customer design rules and process optimizations.

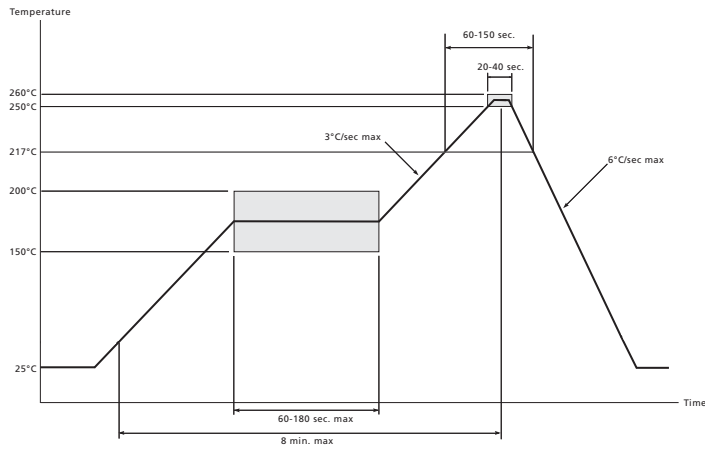
## 6.4 Marking Diagram



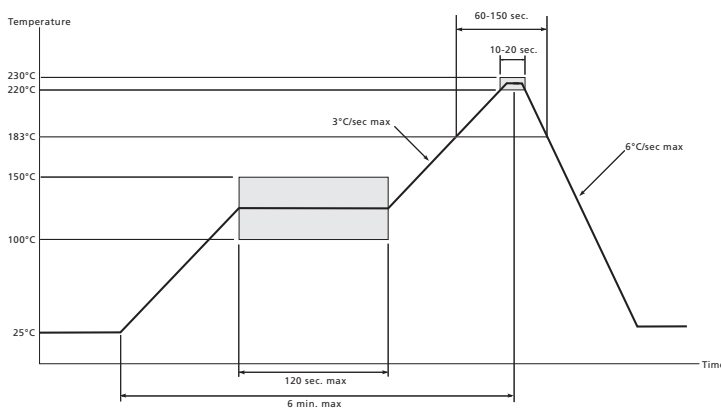
**Figure 6-3: Marking Diagram**

## 6.5 Solder Reflow Profiles

The device is manufactured with Matte-Sn terminations and is compatible with both standard eutectic and Pb-free solder reflow profiles. MSL qualification was performed using the maximum Pb-free reflow profile shown in [Figure 6-4](#). The recommended standard Pb reflow profile is shown in [Figure 6-5](#).



**Figure 6-4: Maximum Pb-free Solder Reflow Profile (Preferred)**



**Figure 6-5: Standard Pb Solder Reflow Profile**

## 6.6 Ordering Information

**Table 6-2: Ordering Information**

	Part Number	Package	Temperature Range
GS2974A	GS2974ACNE3	16-pin QFN	0°C to +70°C
GS2974A	GS2974ACTE3	16-pin QFN Tape & Reel (250pcs)	0°C to +70°C
GS2974A	GS2974ACNTE3Z	16-pin QFN Tape & Reel (2500pcs)	0°C to +70°C



---

#### IMPORTANT NOTICE

Information relating to this product and the application or design described herein is believed to be reliable, however such information is provided as a guide only and Semtech assumes no liability for any errors in this document, or for the application or design described herein. Semtech reserves the right to make changes to the product or this document at any time without notice. Buyers should obtain the latest relevant information before placing orders and should verify that such information is current and complete. Semtech warrants performance of its products to the specifications applicable at the time of sale, and all sales are made in accordance with Semtech's standard terms and conditions of sale.

SEMTECH PRODUCTS ARE NOT DESIGNED, INTENDED, AUTHORIZED OR WARRANTED TO BE SUITABLE FOR USE IN LIFE-SUPPORT APPLICATIONS, DEVICES OR SYSTEMS, OR IN NUCLEAR APPLICATIONS IN WHICH THE FAILURE COULD BE REASONABLY EXPECTED TO RESULT IN PERSONAL INJURY, LOSS OF LIFE OR SEVERE PROPERTY OR ENVIRONMENTAL DAMAGE. INCLUSION OF SEMTECH PRODUCTS IN SUCH APPLICATIONS IS UNDERSTOOD TO BE UNDERTAKEN SOLELY AT THE CUSTOMER'S OWN RISK. Should a customer purchase or use Semtech products for any such unauthorized application, the customer shall indemnify and hold Semtech and its officers, employees, subsidiaries, affiliates, and distributors harmless against all claims, costs damages and attorney fees which could arise.

The Semtech name and logo are registered trademarks of the Semtech Corporation. All other trademarks and trade names mentioned may be marks and names of Semtech or their respective companies. Semtech reserves the right to make changes to, or discontinue any products described in this document without further notice. Semtech makes no warranty, representation or guarantee, express or implied, regarding the suitability of its products for any particular purpose. All rights reserved.

© Semtech 2015

---

## Contact Information

Semtech Corporation  
200 Flynn Road, Camarillo, CA 93012  
Phone: (805) 498-2111, Fax: (805) 498-3804  
[www.semtech.com](http://www.semtech.com)