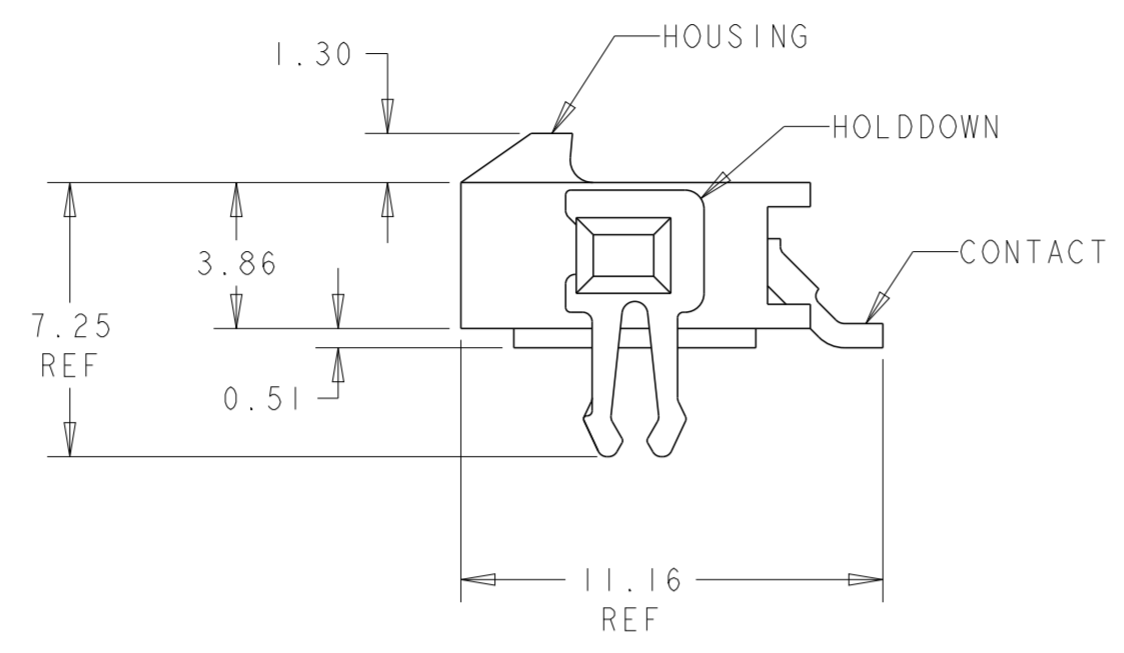
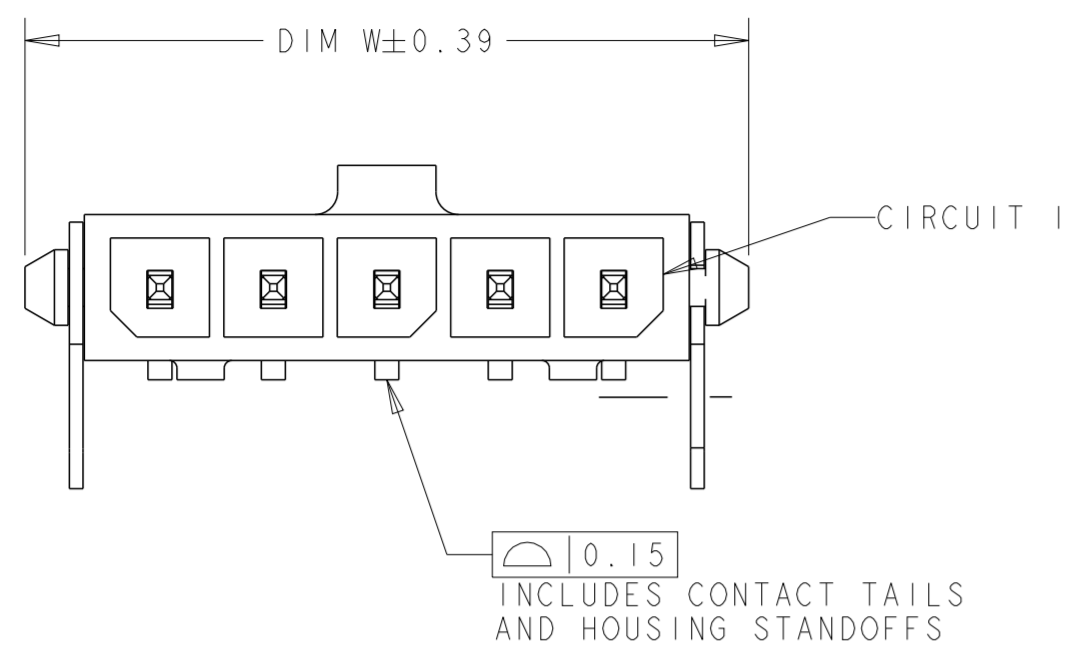
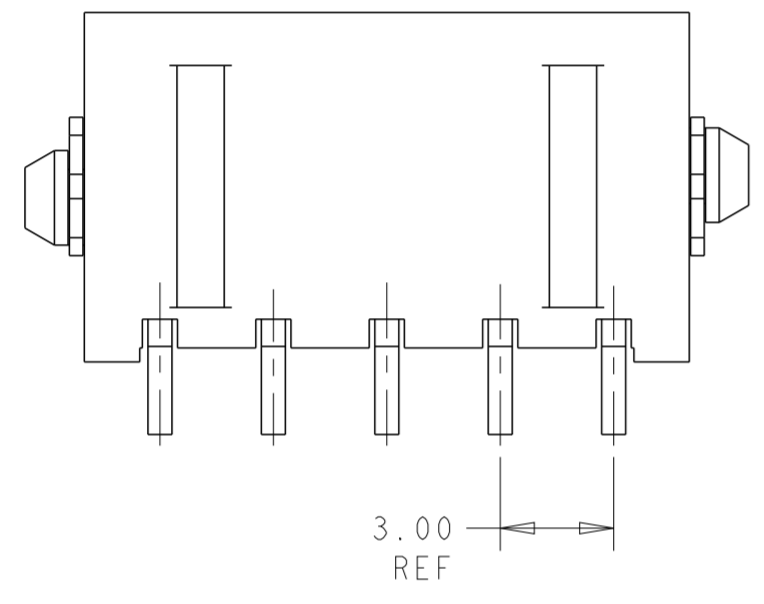


THIS DRAWING IS UNPUBLISHED. RELEASED FOR PUBLICATION 2011
 © COPYRIGHT 2011 ALL RIGHTS RESERVED.

LOC		DIST		REVISIONS			
P	LTR	DESCRIPTION		DATE	DWN	APVD	
	B2	REVISED PER ECR-16-011506		23JUN2017	NK	CX	

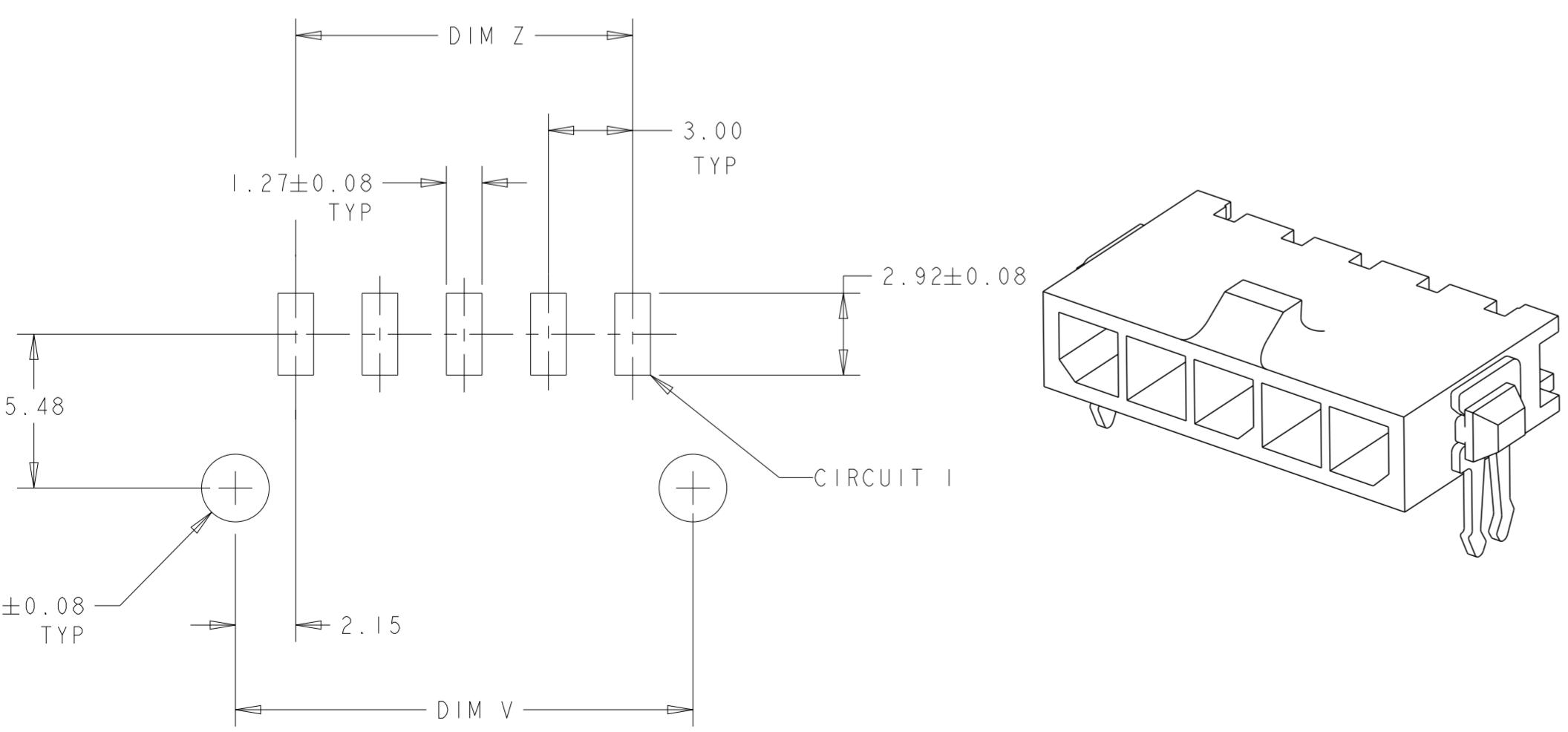


- 1 MATERIAL: CONTACTS - BRASS
HOUSING - UL 94V-0 RATED HIGH TEMP NYLON, COLOR BLACK.
HOLDDOWNS: - PHOSPHOR BRONZE.
- 2 PLATING: CONTACTS - 0.76µm MINIMUM GOLD ON MATING END,
2.54µm MINIMUM TIN LEAD ON SOLDER TAILS, BOTH OVER
1.27µm MINIMUM NICKEL.
HOLDDOWNS: 2.54µm MINIMUM MATTE TIN OVER 1.27µm MINIMUM NICKEL.
- 4 RECOMMENDED PC BOARD THICKNESS OF 1.57.
- 5 PLATING: CONTACTS - 0.76µm MINIMUM GOLD ON MATING END,
2.54µm MINIMUM MATTE TIN ON SOLDER TAILS, BOTH OVER
1.27µm MINIMUM NICKEL.
HOLDDOWNS: 2.54µm MINIMUM MATTE TIN OVER 1.27µm MINIMUM NICKEL.



5	33.00	37.43	40.00	12	3-1445099-2
5	30.00	34.43	37.00	11	3-1445099-1
5	27.00	31.43	34.00	10	3-1445099-0
5	24.00	28.43	31.00	9	2-1445099-9
5	21.00	25.43	28.00	8	2-1445099-8
5	18.00	22.43	25.00	7	2-1445099-7
5	15.00	19.43	22.00	6	2-1445099-6
5	12.00	16.43	19.00	5	2-1445099-5
5	9.00	13.43	16.00	4	2-1445099-4
5	6.00	10.43	13.00	3	2-1445099-3
5	3.00	7.43	10.00	2	2-1445099-2

SUPERSEDED BY 3-1445099-2	2	33.00	37.43	40.00	12	+1445099-2
SUPERSEDED BY 3-1445099-1	2	30.00	34.43	37.00	11	+1445099-1
SUPERSEDED BY 3-1445099-0	2	27.00	31.43	34.00	10	+1445099-0
SUPERSEDED BY 2-1445099-9	2	24.00	28.43	31.00	9	+445099-9
SUPERSEDED BY 2-1445099-8	2	21.00	25.43	28.00	8	+445099-8
SUPERSEDED BY 2-1445099-7	2	18.00	22.43	25.00	7	+445099-7
SUPERSEDED BY 2-1445099-6	2	15.00	19.43	22.00	6	+445099-6
SUPERSEDED BY 2-1445099-5	2	12.00	16.43	19.00	5	+445099-5
SUPERSEDED BY 2-1445099-4	2	9.00	13.43	16.00	4	+445099-4
SUPERSEDED BY 2-1445099-3	2	6.00	10.43	13.00	3	+445099-3
SUPERSEDED BY 2-1445099-2	2	3.00	7.43	10.00	2	+445099-2



PCB LAYOUT COMPONENT SIDE 4

THIS DRAWING IS A CONTROLLED DOCUMENT. DWN J.ROOT 09OCT2000
 CHK K.WHITAKER 17-APR-2001
 APVD C.JONES 17-APR-2001

STE TE Connectivity

RIGHT ANGLE SURFACE MNT HEADER ASSY,
 0.76 MIC GOLD CONTACTS, W/THRU HOLE
 HOLDDOWNS, SGL ROW, MICRO MATE-N-LOK

DIMENSIONS: mm	TOLERANCES UNLESS OTHERWISE SPECIFIED:	0 PLC ±	1 PLC ±	2 PLC ±0.13	3 PLC ±	4 PLC ±	ANGLES ±	FINISH
								SEE TABLE

MATERIAL 1

PRODUCT SPEC -
 APPLICATION SPEC -
 WEIGHT -

SIZE A2 CAGE CODE 00779 DRAWING NO C-1445099 RESTRICTED TO -
 CUSTOMER DRAWING SCALE 5:1 SHEET 1 OF 1 REV B2

Mouser Electronics

Authorized Distributor

Click to View Pricing, Inventory, Delivery & Lifecycle Information:

[TE Connectivity:](#)

[1445099-7](#)