

Features

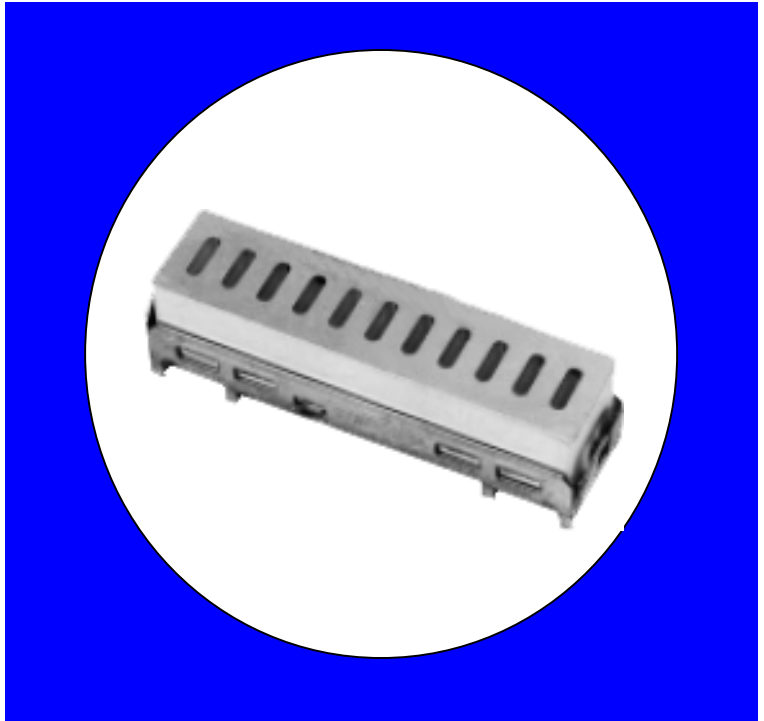
- Low Loss
- Excellent Rejection
- Excellent Power Handling Capability

Description

Pin mounted, silver (Ag) coated ceramic duplexer. Developed for use in 800 MHz infrastructure applications.

Weight: 47.61 grams typical

Material: Filter is composed of a ceramic block plated with Ag and a bracket made of 60-40 tin lead plated cold roll steel.



Electrical Specifications

Parameter	Frequency (MHz)	Typical @ 25°C	Spec. @ 25°C
TX to Antenna Response			
Passband Insertion Loss	824-849	1.7 dB	2.5 dB max
Passband Return Loss @ TX	824-849	11.3 dB	9.5 dB min
Attenuation:	869-894	67.5 dB	60 dB min
Antenna to RX Response			
Passband Insertion Loss	869-894	2.0 dB	2.5 dB max
Passband Return Loss @ RX	869-894	9.8 dB	7.5 dB min
Attenuation:	824-849	70.3 dB	65.0 dB min
Power into any port		5 Watt max	

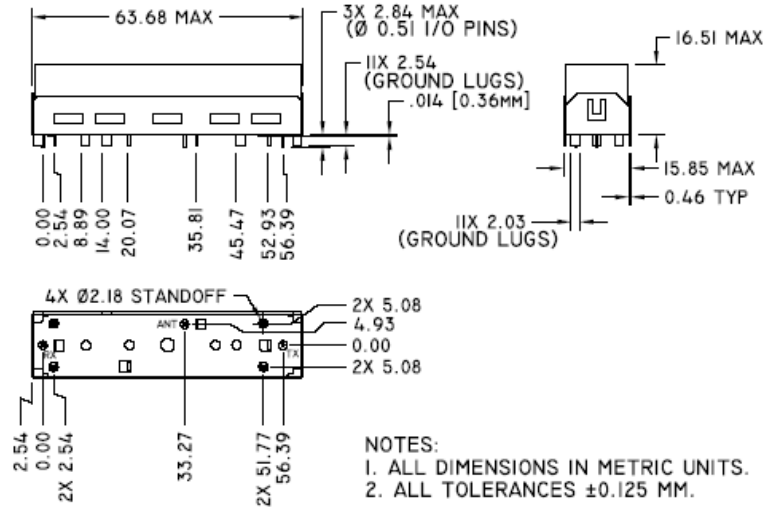
Note: Supplier shall test each filter to the critical electrical specifications of the above table. Any subsequent audits may deviate from in value due to measurement repeatability among different test systems. Such deviations shall not exceed the following limits:

Specification Allowance	
Insertion Loss	0.1 dB
Return Loss	1.0 dB
Stopbands	1.0 dB

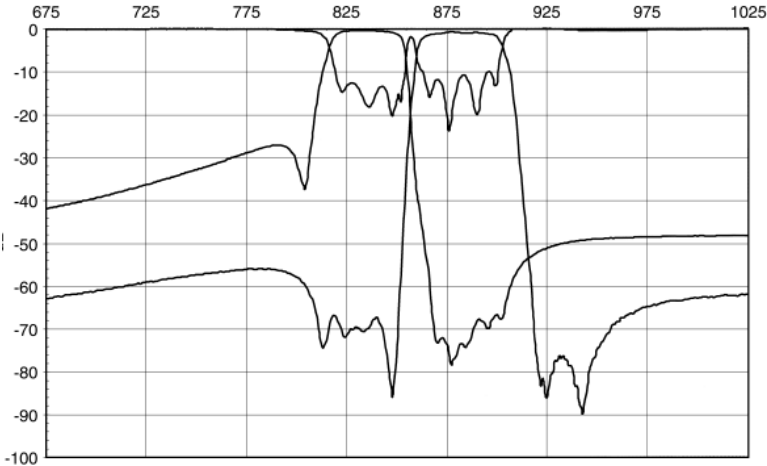
*This product is covered by one or more of the following U.S. and foreign patents including: US 4,692,726;US 4,742,562; US 4,800,348;US 4,829,274;US 5,146,193;EP 0573597;DE 0573597;FR 0573597;JP 508149/92;KR 142171;US 5,162,760;US 5,218,329;US 5,250,916;US 5,327,109;US 5,488,335;CA 2114029;FR 9306297;GB 2273393;JP 3205337;KR 115113;CN 93106228.4;US 5,512,866;EP 0706719;DE 0706719;FR 0706719;GB 0706719;CN 95190359.4;US 5,602,518;US 5,721,520;US 5,745,018;EP 0910875;DE 0910875;DK 0910875;FR 0910875;GB 0910875;IE 0910875;JP 505182/98;KR 10-323013;US 5,994,978;US 6,462,629;CN 00810420.4;US 6,559,735;US 6,650,202;US 6,834,429. Other US and foreign patents pending.

CTS Corporation 2006 reserves all copyrights in the layout, design and configuration of the patterns on this product.

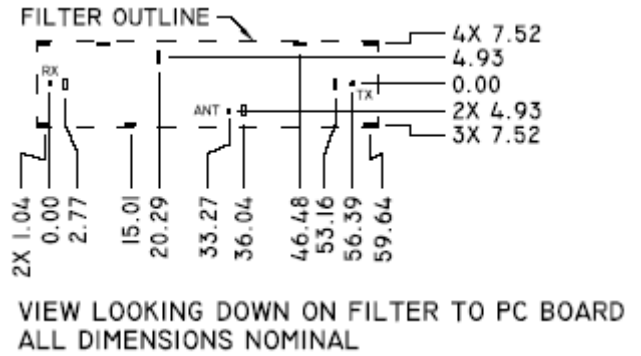
Mechanical Drawing



Electrical response

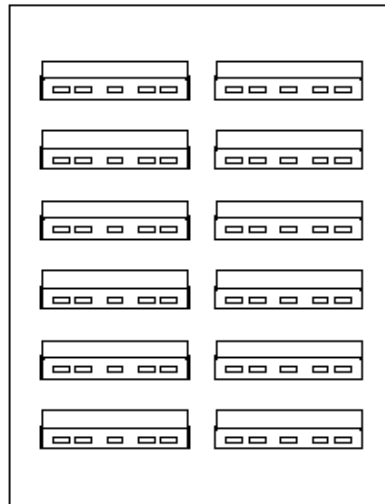
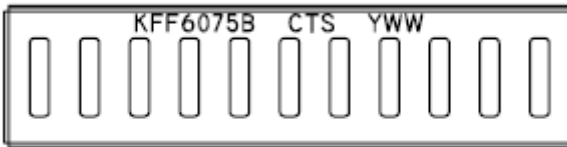


PCB Layout



Packaging and Marking

This product is shipped in pre-formed foam trays.



6 12 Slot Foam Tray
 (72 max per box)

Mouser Electronics

Authorized Distributor

Click to View Pricing, Inventory, Delivery & Lifecycle Information:

[CTS:](#)

[KFF6075B](#)