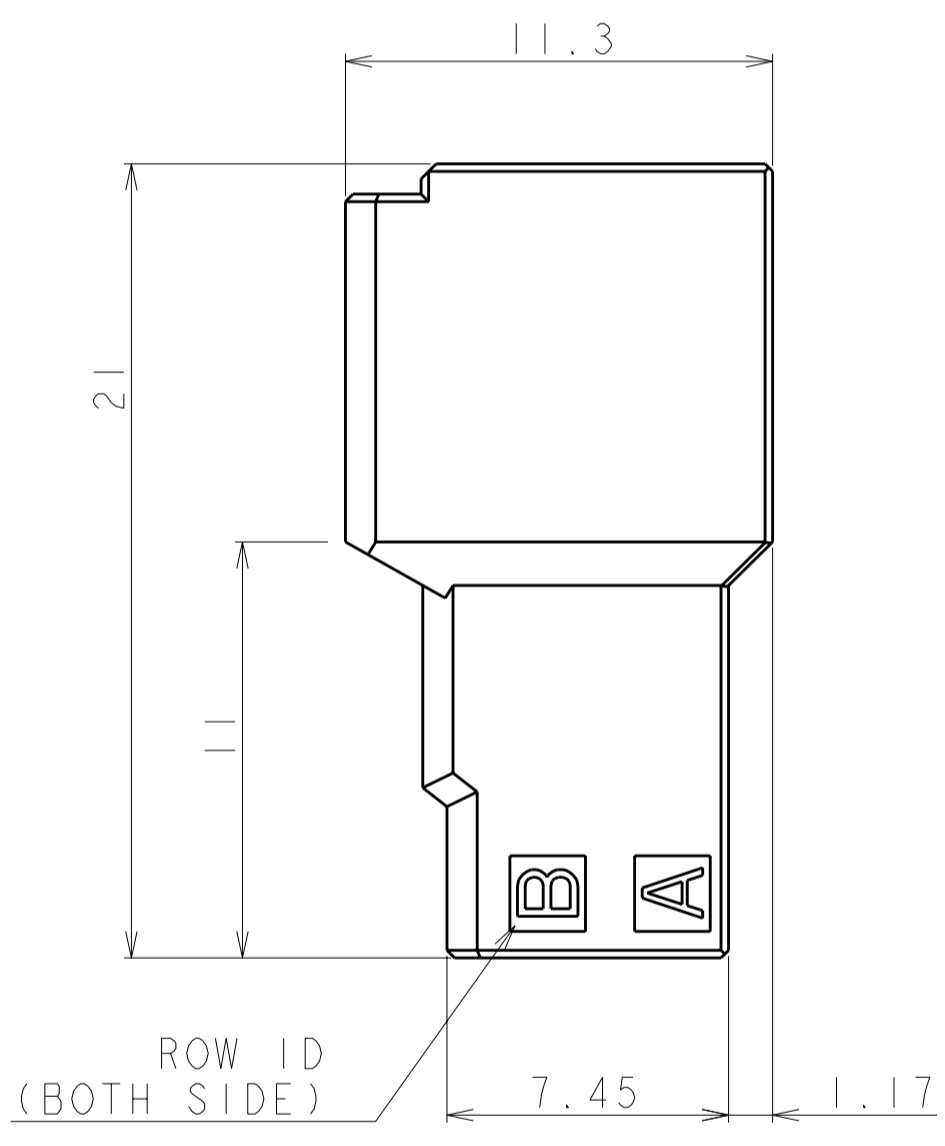
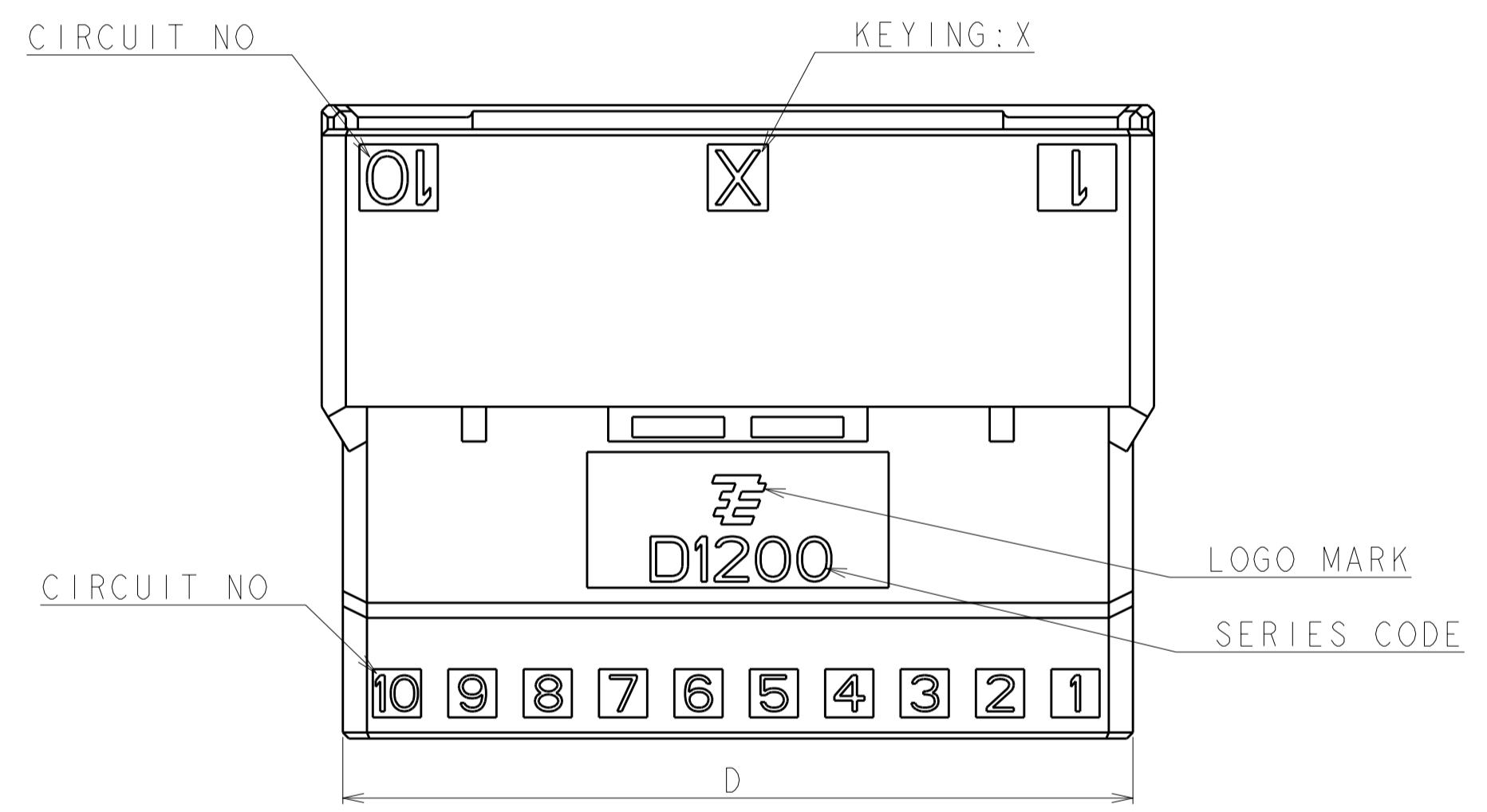
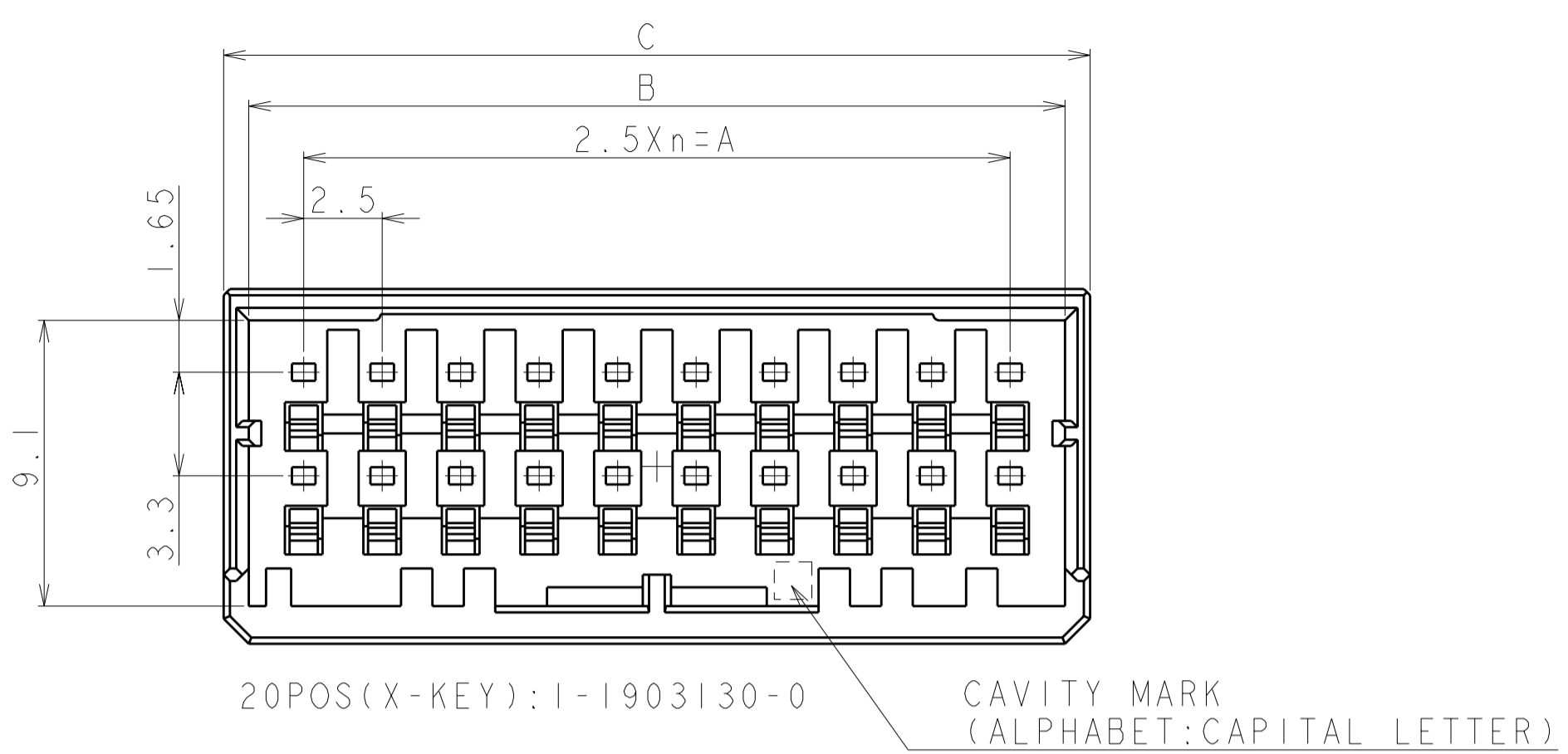


THIS DRAWING IS UNPUBLISHED. RELEASED FOR PUBLICATION 2006
 © COPYRIGHT 2006 BY TYCO ELECTRONICS CORPORATION. ALL INTERNATIONAL RIGHTS RESERVED.

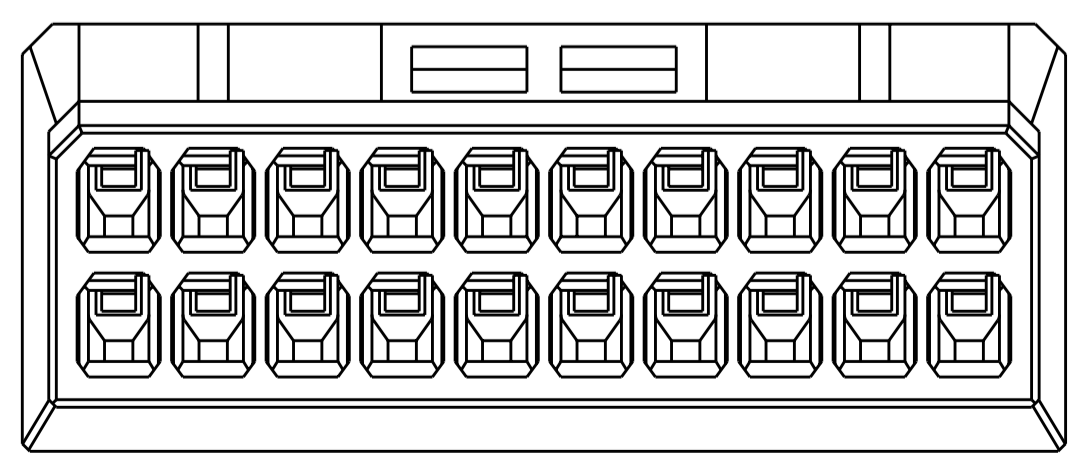
LOC		DIST		REVISIONS			
P	LTR	DESCRIPTION	DATE	DWN	APVD		
	C	REVISED PER ECR-10-017569	26AUG2010	HMR	T.M		



1. MATERIAL: GLASS FILED THERMO PLASTIC POLYESTER(94V-0), COLOR: BLACK
 2. THE SHAPE, SIZE AND POSITION OF THE CHARACTER SHOW THE OUTLINE. THEY DON'T SHOW DETAILS.
 3. THE KEYING ARRANGEMENT OF "Y" IS SYMMETRIC WITH "X".
1. 材料: ガラス入り熱可塑性ポリエステル樹脂(94V-0), 色: 黒
 2. 文字の形状、大きさ、および位置については、大略を示すものであり、詳細を示すものではありません。
 3. Y KEY形状は、X KEY形状と左右対称

AS SHOWN 20POS(X-KEY) : 1-1903130-0

POS	KEY	n	A	B	C	D	PART NO
20	Y	9	22.5	26.0	27.6	26.2	2-1903130-0
20	X	9	22.5	26.0	27.6	26.2	1-1903130-0
12	Y	5	12.5	16.0	17.6	16.2	2-1903130-6
12	X	5	12.5	16.0	17.6	16.2	1-1903130-6
8	Y	3	7.5	11.0	12.6	11.2	2-1903130-4
8	X	3	7.5	11.0	12.6	11.2	1-1903130-4
6	Y	2	5.0	8.5	10.1	8.7	2-1903130-3
6	X	2	5.0	8.5	10.1	8.7	1-1903130-3
4	X	1	2.5	6.0	7.6	6.2	1-1903130-2



THIS DRAWING IS A CONTROLLED DOCUMENT FOR TYCO ELECTRONICS CORPORATION IT IS SUBJECT TO CHANGE AND THE CONTROLLING ENGINEERING ORGANIZATION SHOULD BE CONTACTED FOR THE LATEST REVISION.

DIMENSIONS: 単位: 概 mm
 TOLERANCES UNLESS OTHERWISE SPECIFIED: 一般公差 ±0.3, ±3°
 0-PLC ±
 1-PLC ±
 2-PLC ±
 3-PLC ±
 4-PLC ±
 ANGLES ±
 MATERIAL 材料 FINISH 仕上

DWN: M. MAEBASHI 11APR2006
 CHK: T. KUDO 11APR2006
 APVD: D. MITSUGI 11APR2006
 PRODUCT SPEC: 108-78268, 78298
 APPLICATION SPEC: 114-5377
 WEIGHT: CUSTOMER DRAWING

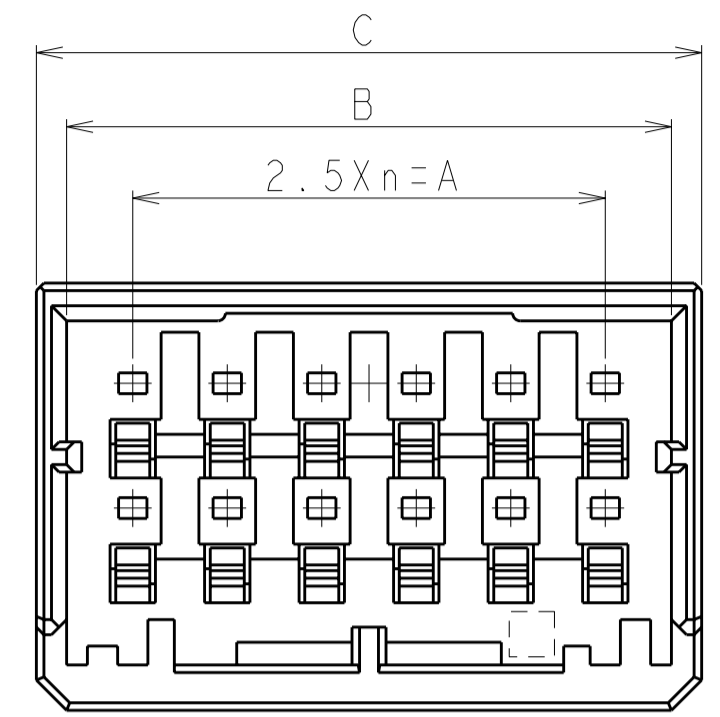
Tyco Electronics Corporation
 Kawasaki, Japan

NAME: DYNAMIC D1200D 2.5mm PITCH TAB HSG, FREE HANGING TYPE 4-20 POS
 SIZE: A2 CAGE CODE: 00779 DRAWING NO: 1903130 RESTRICTED TO: C

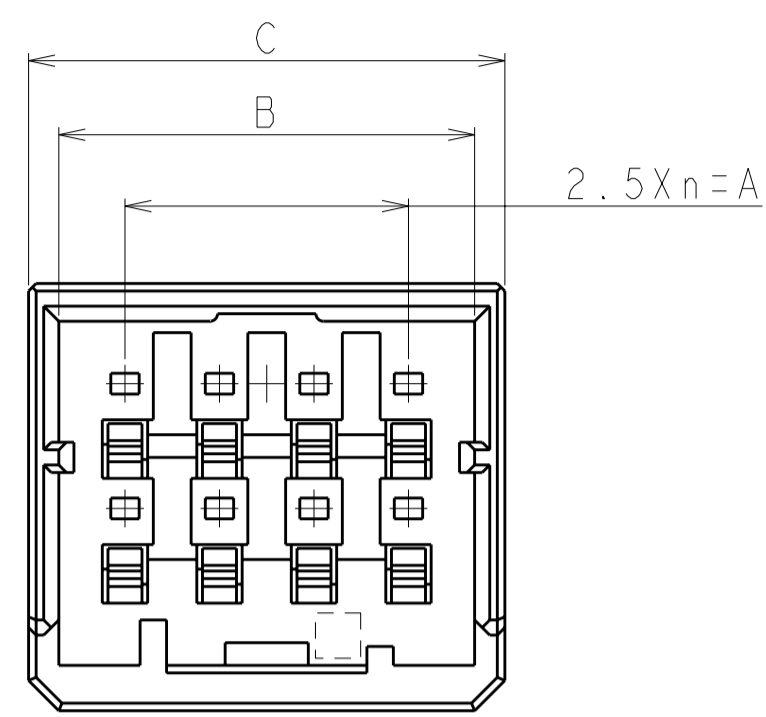
SCALE: 5:1 SHEET 1 OF 2 REV C

THIS DRAWING IS UNPUBLISHED. RELEASED FOR PUBLICATION 2006
 © COPYRIGHT 2006 BY TYCO ELECTRONICS CORPORATION. ALL INTERNATIONAL RIGHTS RESERVED.

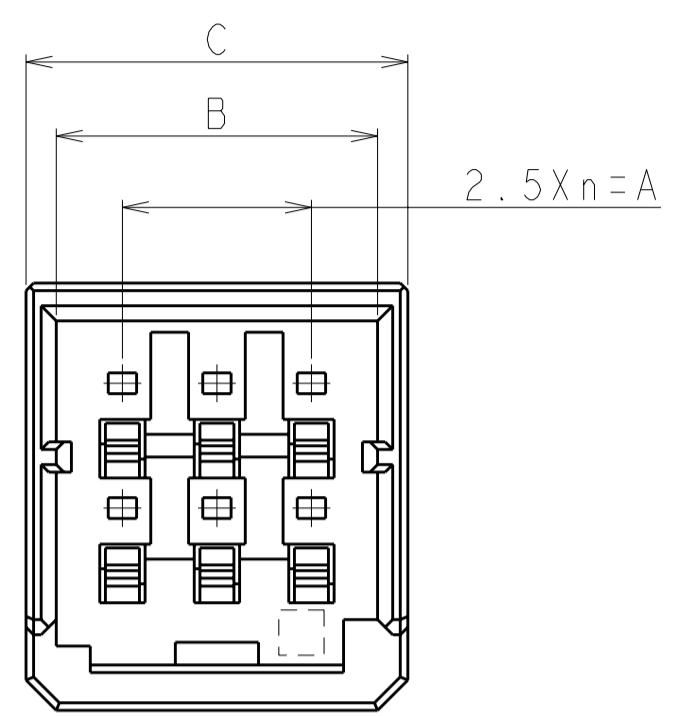
LOC		DIST		REVISIONS			
P	LTR	DATE	DWN	APVD	DESCRIPTION		
J					SEE SHEET 1 OF 2		



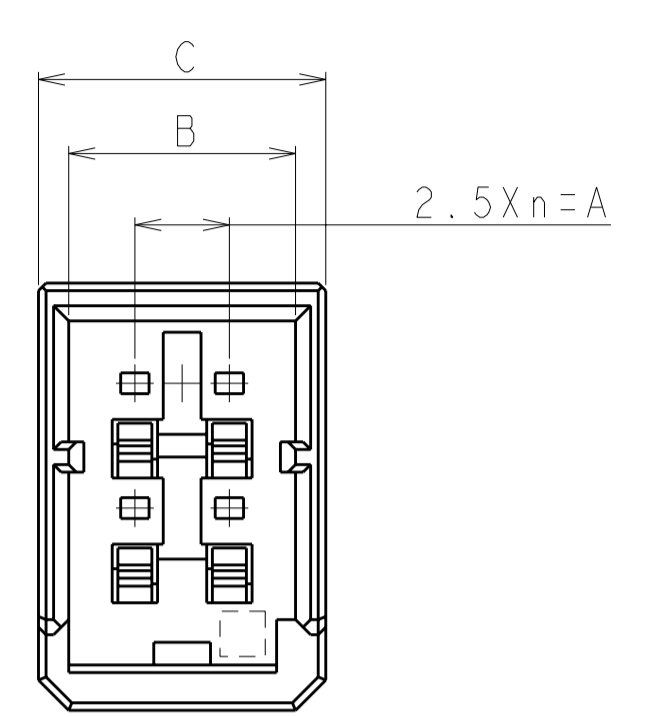
12POS(X-KEY): I-1903130-6



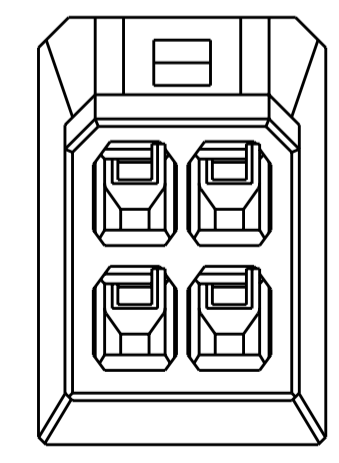
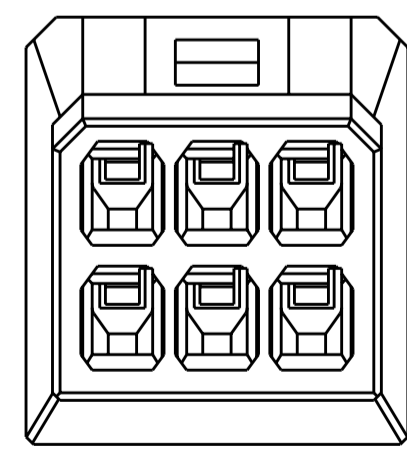
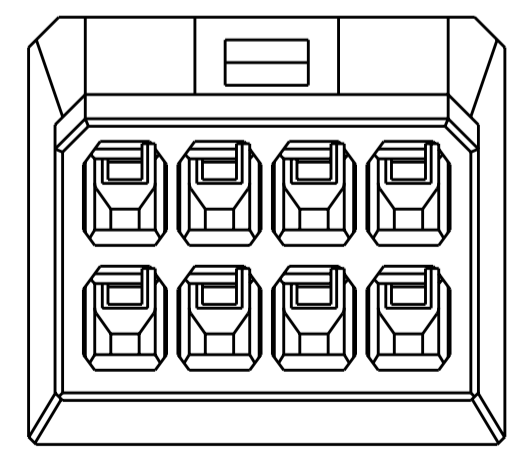
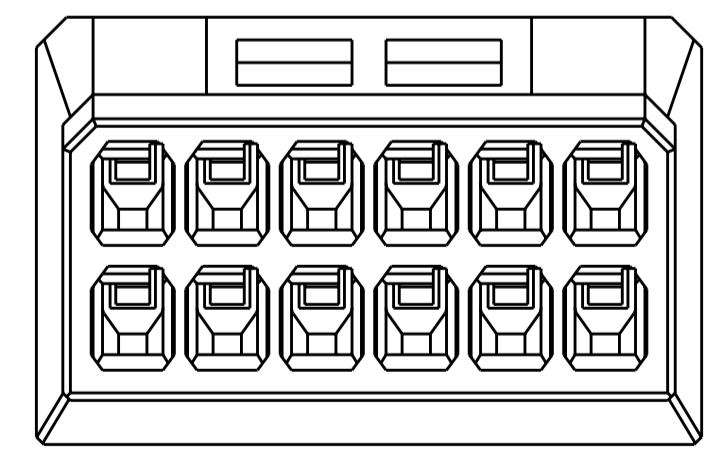
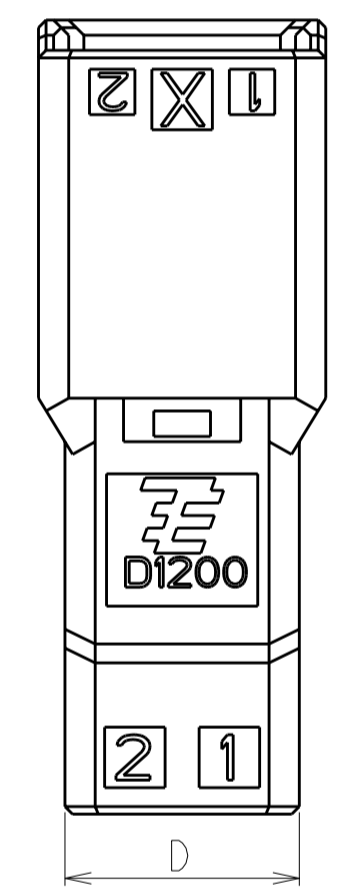
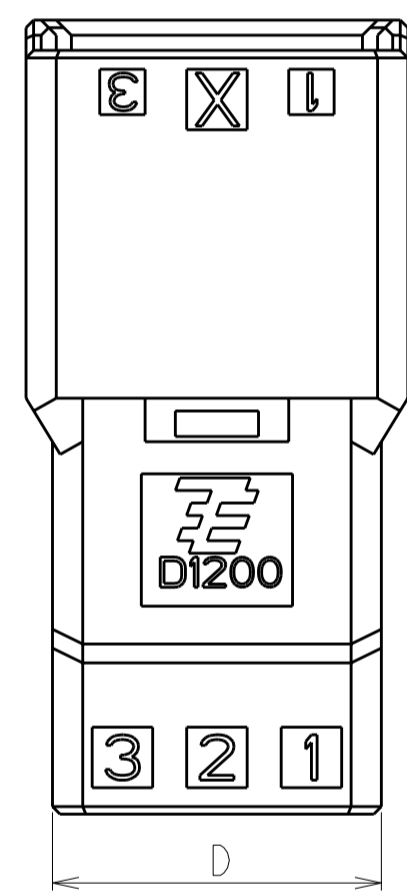
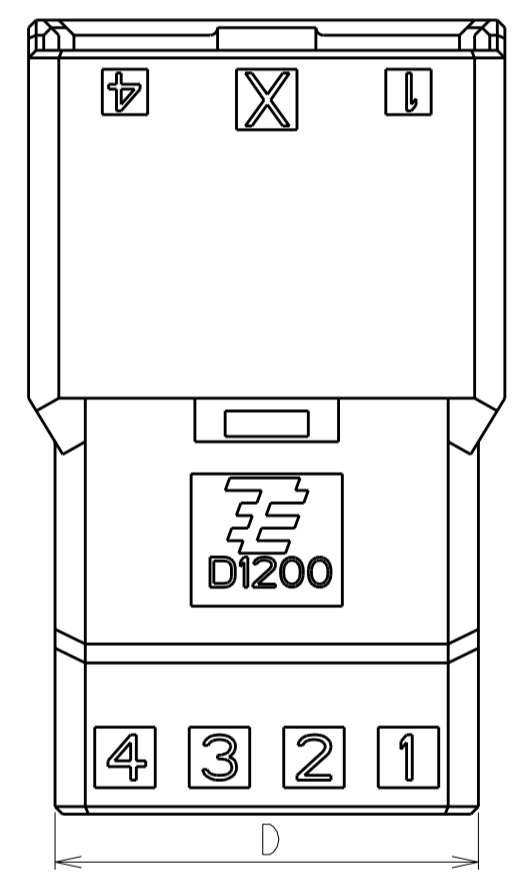
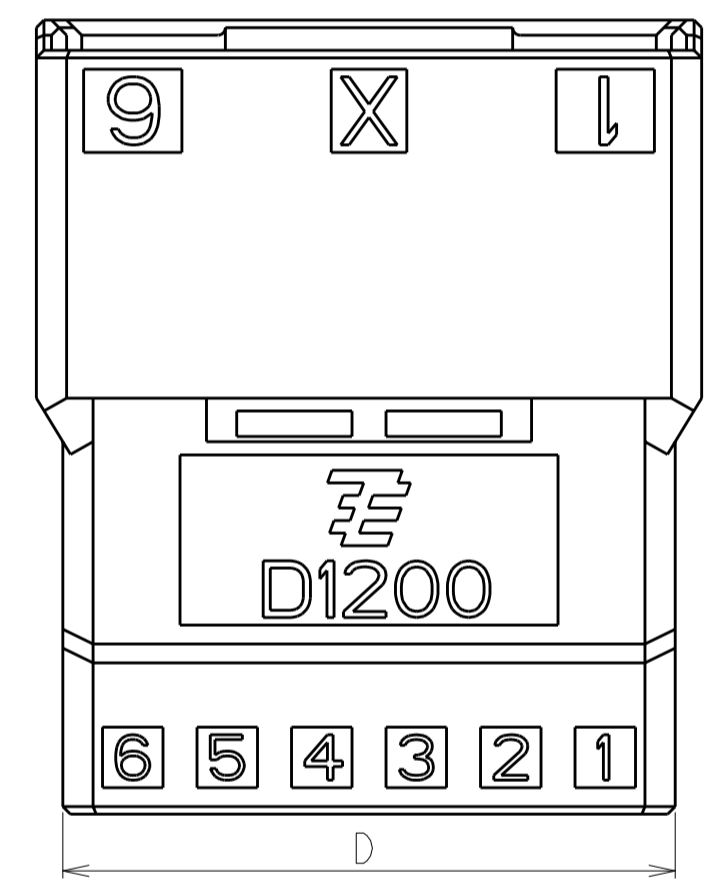
8POS(X-KEY): I-1903130-4



6POS(X-KEY): I-1903130-3



4POS(X-KEY): I-1903130-2



THIS DRAWING IS A CONTROLLED DOCUMENT FOR TYCO ELECTRONICS CORPORATION IT IS SUBJECT TO CHANGE AND THE CONTROLLING ENGINEERING ORGANIZATION SHOULD BE CONTACTED FOR THE LATEST REVISION.		DWN M. MAEBASHI 11APR2006 CHK T. KUDO 11APR2006 APVD D. MITSUGI 11APR2006	Tyco Electronics Corporation Kawasaki, Japan
DIMENSIONS: 単位: 概 mm	TOLERANCES UNLESS OTHERWISE SPECIFIED: 一般公差 0 PLC ± 1 PLC ± 2 PLC ± 3 PLC ± 4 PLC ± ANGLES ± FINISH 仕上	PRODUCT SPEC 製品規格 108-78268, 78298 APPLICATION SPEC 取付適用規格 114-5377	NAME DYNAMIC D1200D 2.5mm PITCH TAB HSG, FREE HANGING TYPE 4-20 POS
MATERIAL 材料		WEIGHT	SIZE A2 CAGE CODE 00779 DRAWING NO. C-1903130
CUSTOMER DRAWING		SCALE 5:1	SHEET 2 OF 2 REV C

Mouser Electronics

Authorized Distributor

Click to View Pricing, Inventory, Delivery & Lifecycle Information:

[TE Connectivity:](#)

[1-1903130-2](#)