



Computing Solutions



Comprehensive power management, switching, timing, USB-C, and protection solutions for computing platforms from ON Semiconductor.



www.onsemi.com



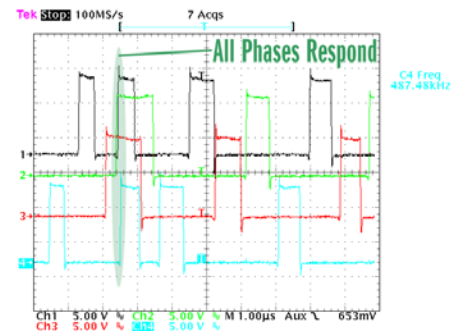
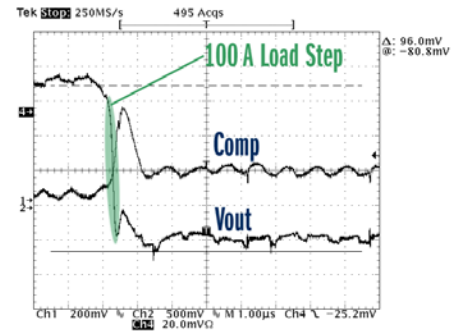
Dual-Edge & RPM Modulation Vcore Controllers for IMVP8 Designs

Features of Multi-Phase Dual Edge Architecture

- Current-mode dual-edge modulation for fast initial response to transient loading
- High-performance operational error amplifier
- Accurate total summing current amplifier
- High-impedance differential voltage and total current sense amplifiers
- Phase-to-phase dynamic current balancing
- “Lossless” DCR current sensing for current balancing

Features of Enhanced Single-Phase RPM Architectures

- High performance RPM control system
- Ultralow offset IO/UT monitor
- Dynamic VID feed-forward
- Programmable droop gain
- Zero droop capable
- Thermal monitor
- Ultra-sonic operation
- Digitally controlled operating frequency



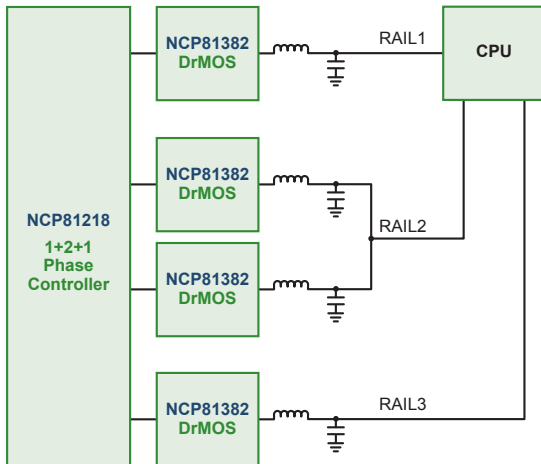
Device	Market	Function	VR Spec	Controller Architecture	Number of Rails	CPU Phases	Integrated Drivers	Interface	Package
NCP81201	Tablet	Controller	VR12.1	RPM	1	1	–	SVID	QFN-28
NCP81111	Microserver	Controller	VR12.5	Hybrid	1	1/2/3	–	SVID	QFN-32
NCP81203	Desktop	Controller	IMVP8	Dual Edge	2	3/2/1+2/1	–	SVID	QFN-52
NCP81203P	Notebook	Controller	IMVP8	Dual Edge	2	3/2/1+2/1	–	SVID	QFN-52
NCP81205	Notebook	Controller	IMVP8	Dual Edge & EN RPM	3	1/2/3+1/2/3+1	–	SVID	QFN-52
NCP81216	Ultrabook	Controller	IMVP8	Dual Edge & EN RPM	3	1+1/2+1	3 x 5 V	SVID	QFN-52
NCP81236	Ultrabook	Controller	IMVP8	Dual Edge & EN RPM	3	1/2+1+1	3 x 5 V	SVID	QFN-52
NCP81218	Ultrabook	Controller	IMVP8	Dual Edge & EN RPM	3	1+1/2+1	–	SVID	QFN-48
NCP81210	Ultrabook & Notebook	Controller	IMVP8	EN RPM	1	1	1 + FETs	SVID	QFN-40

Please contact ON Semiconductor for product datasheets.

Ultrabook Solution

NCP81218 1+2+1 Phase Controller

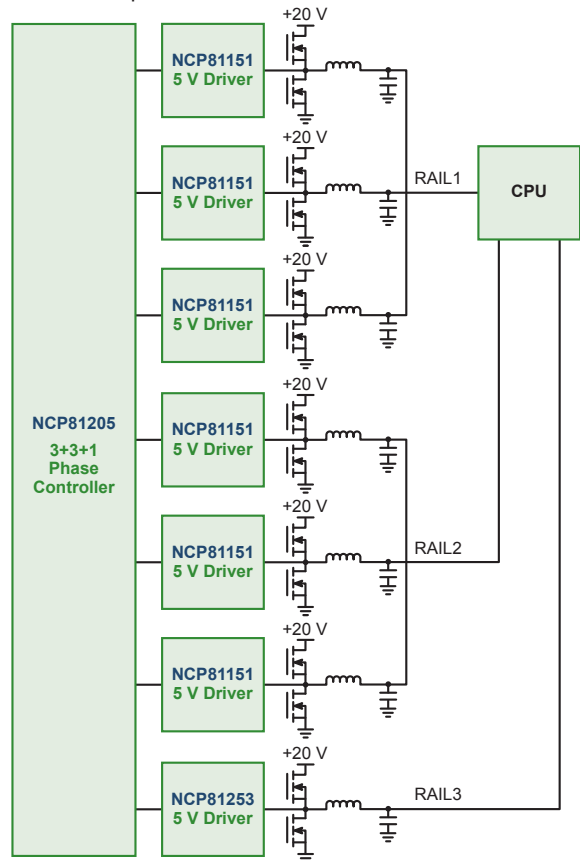
- Dual Edge & DCR current sensing for fast transient response
- EN RPM for fast transition between DCM and CCM mode
- True Differential Current Balancing
- IMVP8 compliant



Notebook Solutions

NCP81205 3+3+1 Phase Controller

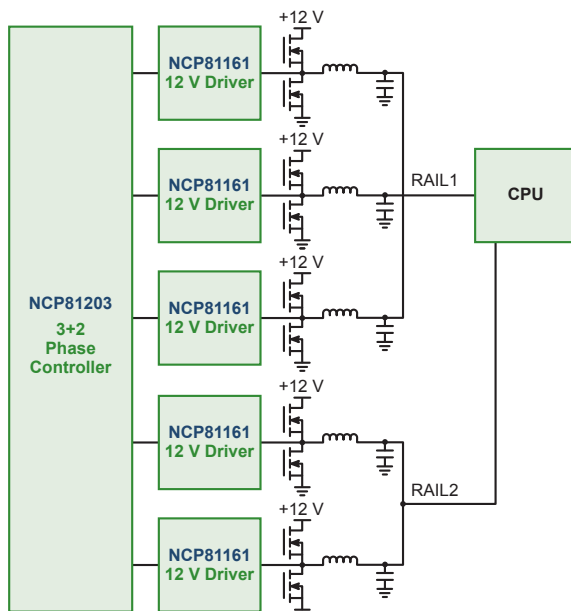
- Dual Edge & DCR current sensing for fast transient response
- EN RPM for fast transition between DCM and CCM mode
- True Differential Current Balancing
- IMVP8 compliant



Desktop Solutions

NCP81203 3+2 Phase Controller

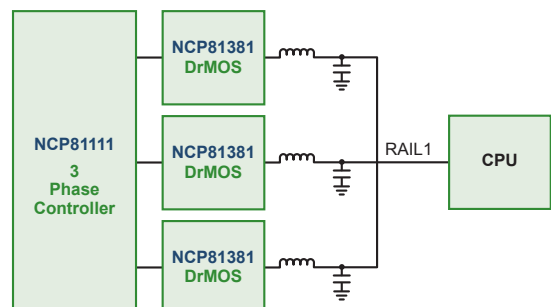
- Dual Edge for fast transient response
- Constant on-time for light load efficiency
- Supports all MLCC output capacitor solutions
- IMVP8 compliant



Microserver Solutions

NCP81111 3-Phase Digital Controller

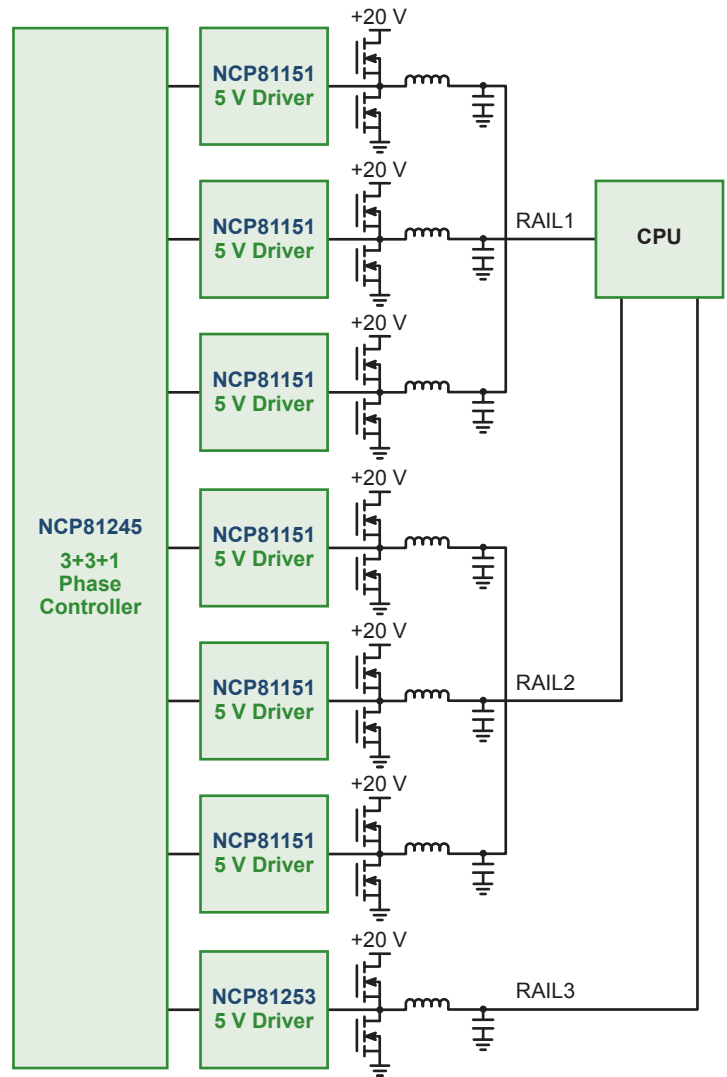
- Optimised to operate at 5MHz using DrMOS
- Can operate as general purpose I2C controller regulator
- Internal compensation using GUI interface
- VR12.5/6 compliant



IMVP8 Multiphase Controllers for Embedded Applications

NCP81245 3+3+1 Phase Controller

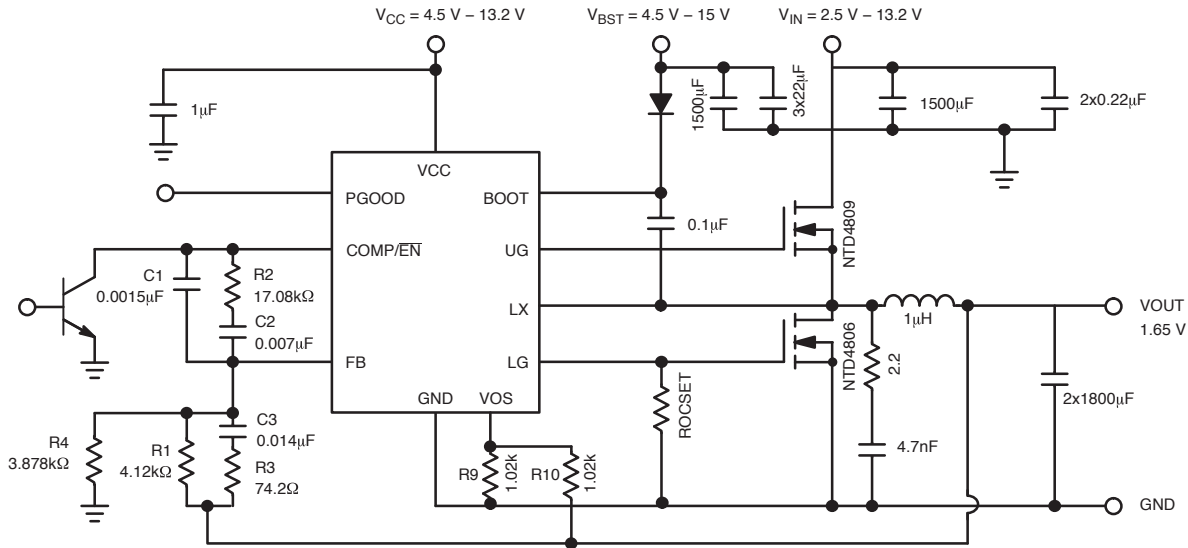
- Dual Edge & DCR current sensing for fast transient response
- EN RPM for fast transition between DCM and CCM mode
- True Differential Current Balancing
- IMVP8 compliant



Device	Market	Function	VR Spec	Controller Architecture	Number of Rails	CPU Phases	Integrated Drivers	Interface	Package
NCP81243	Desktop	Controller	IMVP8	Dual Edge	2	3/2/1+2/1	–	SVID	QFN-52
NCP81245	Notebook	Controller	IMVP8	Dual Edge & EN RPM	3	1/2/3+1/2/3+1	–	SVID	QFN-52
NCP81246	Ultrabook	Controller	IMVP8	Dual Edge & EN RPM	3	1+1/2+1	3 x 5 V	SVID	QFN-52
NCP81248	Ultrabook	Controller	IMVP8	Dual Edge & EN RPM	3	1+1/2+1	-	SVID	QFN-48
NCP81255	Ultrabook & Notebook	Controller	IMVP8	EN RPM	1	1	1 + FETs	SVID	QFN-40
NCP81145	Ultrabook & Notebook	5 V Driver	–	for Dual Edge Rail	–	–	–	–	DFN-8
NCP81146	Desktop	12 V Driver	–	for Dual Edge Rail	–	–	–	–	DFN-8
NCP81253	Ultrabook & Notebook	5 V Driver	–	for EN RPM rail	–	–	–	–	DFN-8

System Power

System power management devices provide additional rails in computing applications, beyond Vcore and graphics. They are available with single or dual channel operation, and also in multi-phase configurations.



NCP1589A Application Diagram

Device	Description	Topology	V _{CC} Min (V)	V _{CC} Max (V)	f _{sw} Typ (kHz)	Package
NCP1579	Synchronous Buck Controller, Low Voltage	Step-Down	4.5	13.2	275	SOIC-8
NCP1587	Synchronous Buck Controller, Low Voltage	Step-Down	4.5	13.2	250 - 300	SOIC-8
NCP1587A	Synchronous Buck Controller, Low Voltage	Step-Down	4.5	13.2	180 - 220	SOIC-8
NCP1589A	Synchronous Buck Controller, Low Voltage	Step-Down	4.5	13.2	—	DFN-10
NCP1589D	Synchronous Buck Controller	Step-Down	4.5	13.2	—	DFN-10
NCP1589L	Synchronous Buck Controller, Low Voltage, with Light Load Efficiency and Transient Enhancement	Step-Down	4.5	13.2	—	DFN-10
NCP5212	Single Synchronous Step Down Controller	Step-Down	4.5	27	300	QFN-16
NCP5217	Synchronous Buck Controller, Single	Step-Down	4.5	27	300	QFN-14
NCP5230	Low Voltage Synchronous Buck Controller	Step-Down	4.5	13.2	—	QFN-16
NCP5269	System Agent Controller with 2-bit VID	Step-Down	3.3	28	300 - 600	QFN-20
NCP3231	25 A Synchronous Buck Converter with Intergrated MOSFETs	Step-Down	4.5	18	500	TQFN-40
NCP3232N	15 A Synchronous Buck Converter with Intergrated MOSFETs	Step-Down	4.5	21	500	TQFN-40
NCP3133A	3 A Synchronous Buck Converter with Intergrated MOSFETs	Step-Down	2.9	5.5	1100	QFN-16
NCP3135	5 A Synchronous Buck Converter with Intergrated MOSFETs	Step-Down	2.9	5.5	1100	QFN-16

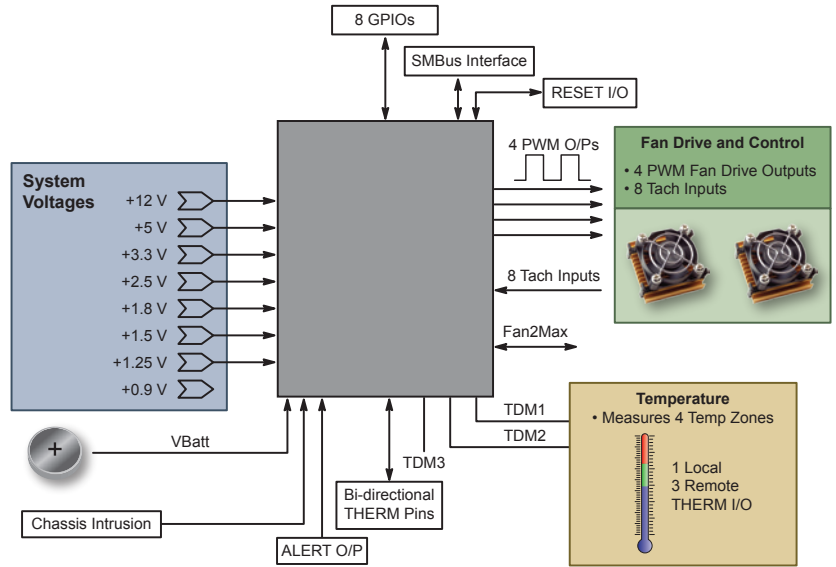
Thermal Management

Extensive Portfolio

Remote Sensors provide temperature information of a transistor located at a different position on the board; also includes local sensor capability

Fan Controllers integrate the temperature sensor with a fan controller/monitor

System Monitors integrate combinations of remote and/or local temperature sensing, voltage monitoring, fan control & monitoring, reset control, and GPIO functions

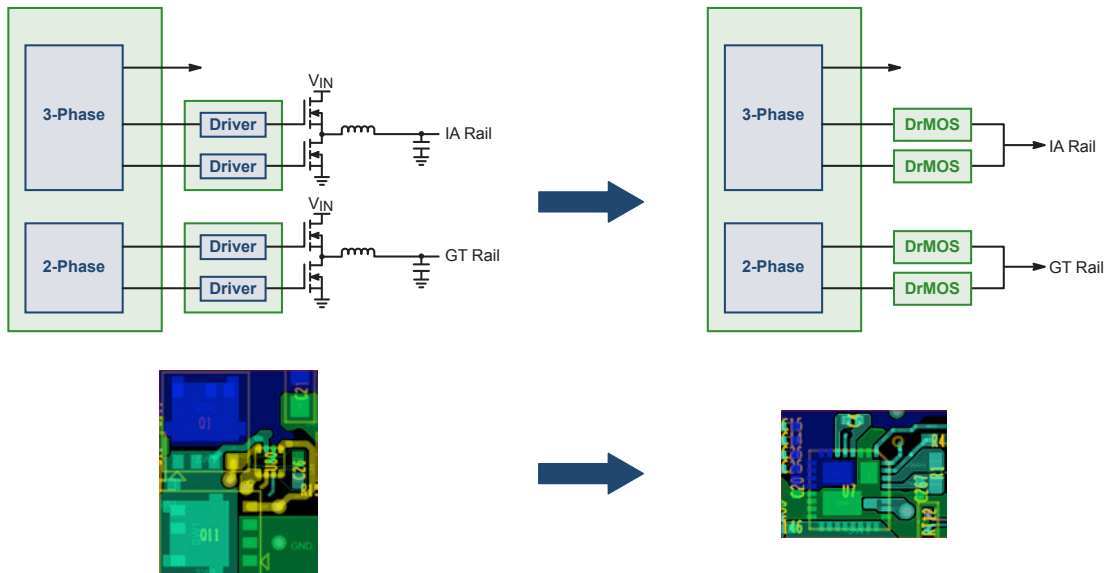


	Device	Supply Range (V)	Temperature Range (°C)	Local Accuracy (°C)	Interface	Number of Addresses	SRC (Ω)	Remote Accuracy	Remote Channels	Fan Channels	TACH Channels	Voltage Monitoring Channels	GPIOs	Package
System Monitors	ADM1026	3 - 5.5	-40 to +120	±3	I2C/SMBUS	3	—	±3	2	8	8	19	17	LQFP-48
	ADT7462	3 - 5.5	-40 to +125	±2.25	I2C/SMBUS	2	2 k	±2.25	3	4	8	13	8	LFCS-32
	NCT80	2.8 - 5.75	-40 to +125	±2	I2C/SMBUS	8	—	—	—	—	2	7	1	TSSOP-24
	ADT7476	3 - 3.6	-40 to +120	±1.5	I2C/SMBUS	3	—	±1.5	2	3	4	5	—	QSOP-24
Fan Controllers	ADT7473	3 - 3.6	-40 to +120	±1.5	I2C/SMBUS	3	3 k	±1.5	2	3	4	—	—	QSOP-16
	ADT7475	3 - 3.6	-40 to +120	±1.5	I2C/SMBUS	1	—	±1.5	2	3	4	—	—	QSOP-16
Remote Sensors	NCT72	2.8 - 3.6	-40 to +125	±1	I2C/SMBUS	2	1.5 k	±1	1	—	—	—	—	DFN-8, WDFN-8
	NCT218	1.4 - 2.75	-40 to +125	±1.75	I2C/SMBUS	2	150	±1	1	—	—	—	—	WDFN-8, WLCS-8
	ADM1032	3 - 5.5	-40 to +125	±3	I2C/SMBUS	2	—	±1	1	—	—	—	—	SOIC-8, MSOP-8
	ADT7461	3 - 5.5	-40 to +125	±3	I2C/SMBUS	2	3 k	±1	1	—	—	—	—	SOIC-8, MSOP-8
	ADT7481	3 - 3.6	-40 to +125	±1	I2C/SMBUS	2	—	±1	2	—	—	—	—	MSOP-10
	ADT7483	3 - 3.6	-40 to +125	±1	I2C/SMBUS	9	—	±1	2	—	—	—	—	QSOP-16

Integrated MOSFET and Drivers

Features

- Integrated high- and low-side MOSFETs
- Integrated bootstrap diode
- Matched of driver and MOSFETs optimize switching performance
- Higher switching frequency enables use of smaller inductor and output capacitors
- Low-side MOSFET diode emulation mode provides asynchronous operation
- 65% lower BOM; 45% smaller footprint and simplified layout versus discrete solutions



Discrete

versus

Integrated

Device	PWM Input	V _{IN} Max (V)	Freq Max (MHz)	I _{OUT} Continuous Max (A)	Package
NCP5369	5 V Tri-state	25	1	40	QFN-40
NCP81381	5 V Tri-state	30	2	25	QFN-32
NCP81382	5 V Tri-state	30	2	35	QFN-28

Drivers for Discrete MOSFET Implementations

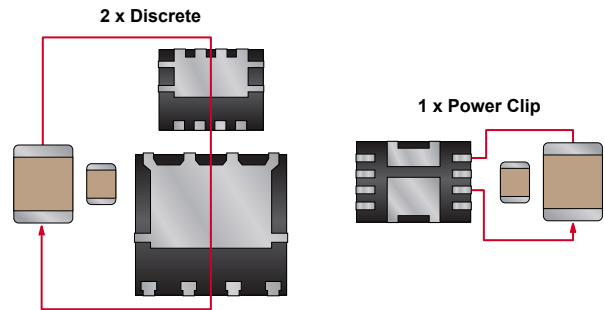
Drivers specifically designed to work with controller solutions, and optimized for 5 V or 12 V gate applications.

Device	Drivers	V _{CC} Typ (V)	Integrated Bootstrap Diode	Zero Crossover Detection	Package
NCP5901	Single	12	N	Y	DFN-8
NCP5901B	Single	12	Y	Y	DFN-8
NCP81161	Single	12	Y	Y	DFN-8
NCP81151	Single	5	Y	Y	DFN-8
NCP81253	Single	5	Y	N	DFN-8
NCP81061	Dual	12	Y	Y	QFN-16
NCP81152	Dual	5	Y	Y	QFN-16

High Performance Dual MOSFETs (Power Clip)

Features

- Co-packaged high-side & low-side MOSFETs reduces board space
- Optimized for low Figure-of-Merit = $R_{DS(ON)} \times Q_g$
- Improved clip for faster switching & improved efficiency
- Flipped low-side MOSFET improves thermal performance
- Parasitic inductance loops minimized for improved efficiency



High Frequency Switching Loop Size Reduction

Specific Applications

- GPU rails in VGA cards and gaming motherboards
- Vcore & system rails in notebooks

Device	Package	I _{max} (A)	BV _{DSS} (V)	V _{GS} Max (V)	R _{DS(ON)} Max @ V _{GS} = 4.5 V (mΩ)		Q _g Typ @ V _{GS} = 4.5 V (nC)		C _{oss} Typ (pF)
					High Side	Low Side	High Side	Low Side	Low Side
FDPC8012S	Power Clip 33	15-20	25	12	7	2.2	8	25	885
FDPC8013S		10-15	30	20	9.6	2.7	6	21	997
FDMC2D2N025DSD*		15-20	25	16	7	2.2	5	15	886
FDMC2D3N03DSD*		15-20	30	16	7	2.4	5	15	1063
FDPC3D5N025X9D		10	25	12	3.7	3.7	17	17	612
FDPC8900*	Power Clip 35	14	30	12	5	6.5	12	8.8	356
FDPC8016S	Power Clip 56	20-30	25	12	4.7	1.7	11	31	1195
FDPC8014S		>30	25	12	4.7	1.4	11	43	1720
FDPC8014AS		>30	25	12	4.7	1.2	11	44	2170
FDMS001N025DSD		>30	25	16	4	1.1	10	35	1810
FDMS1D2N03DSD*		>30	30	16	4	1.2	11	39	1845
FDPC5018SG		25	30	12	6.5	2	8	28	1210
FDPC5030SG		20	30	12	6.5	3	8	18	801
NTMFD4H088NF*		Power Phase 56	25	30	12	11.3	2	3	21
NTMFD4C85N*	>30		30	20	4.3	1.2	15	45	3660
NTMFD4C86N*	>30		30	20	8.1	3.4	11	22	1650

* Pending 2Q18.

Asymmetric Dual MOSFETs

Device	Package	I _{max} (A)	BV _{DSS} (V)	V _{GS} Max (V)	R _{DS(on)} Max @ V _{GS} = 4.5 V (mΩ)		Q _g Typ @ V _{GS} = 4.5 V (nC)		C _{oss} Typ (pF)
					High Side	Low Side	High Side	Low Side	Low Side
FDMS3620S	Power 56 Dual	>30A	25	12	5.2mΩ	1.2mΩ	12	50	1828
FDMS3622S		25-30A			5.7mΩ	1.6mΩ	12	40	1405
FDMS3624S		20-25A			5.7mΩ	2.2mΩ	12	27	946
FDMS3626S		15-20A			5.7mΩ	3.2mΩ	12	19	716
NTMFD4901NF	S08-FL Dual	25-30A	30	20	10.0mΩ	3.5mΩ	10	20	1100
NTMFD4902NF		25-30A			10.0mΩ	6.2mΩ	10	12	813
NTMFD4C20N		25-30A			10.8mΩ	5.2mΩ	9	13	990
FDMC007N30D	Power 33 Dual	<13A		12	13.3mΩ	7.0mΩ	6.4	14	413
FDMC8200S		<6A		20	32.0mΩ	13.5mΩ	3.1	7.2	373

30 V P-Channel MOSFETs

Device	Package	Configuration	Breakdown V _{DS} /V _{GS} (V)	R _{DS(on)} Max @ V _{GS} = 4.5 V (mΩ)
FDMC013P030Z	MLP 33	Single P-Channel	30/25	13.2
FDMC6675BZ		Single P-Channel	30/25	27
FDMC6679AZ		Single P-Channel	30/25	18
FDMA6676PZ	MLP 22	Single P-Channel	30/25	27
FDMA530PZ		Single P-Channel	30/25	65

Dual N-Channel MOSFETs

Common Drain FDPC4044

- 30 V, 27 A
- Max r_{S1S2(on)} = 4.3 mΩ at V_{GS} = 10 V, I_{S1S2} = 27 A
- MLP 33 package

Specific Applications

- V_{BUS} back-back protection switch for USB Type-C
- Replace two discrete back-back MOSFETs with single compact solution

Common Source FDMD8630

- 30 V, 167 A
- Max r_{DS(on)} = 1 mΩ
- PQFN-8 package

Specific Applications

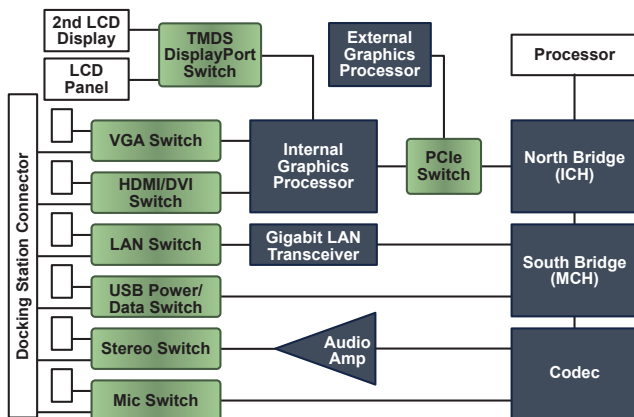
- Synchronous Rectification
- Synchronous buck for ~50% duty cycle (12 V to 5 V)

N-Channel MOSFETs

Device	Package	Polarity	Maximum Ratings				Q _g (nC)	Q _{gd} (nC)	C _{iss} (pF)	C _{rss} (pF)	R _G (Ω)	Applications
			V _{DS} (V)	V _{GS} (V)	R _{DS(ON)} (mΩ)							
					V _{GS} =10 V	V _{GS} =4.5 V						
NTMFS4C020N	SO-8FL	N-Channel	30	20	0.7	1	63	13	10144	148	1	HPPC
NTMFS4C01N		N-Channel	30	20	0.9	1.2	65	18	9200	231	1	HPPC
NTMFS4C022N		N-Channel	30	20	1.7	2.4	20.8	4.7	3071	67	1	HPPC
NTMFS4C03N		N-Channel	30	20	2.3	3.3	19.8	5.3	2789	71	1	HPPC
NTMFS4C024N		N-Channel	30	20	2.8	4	14	5	1972	59	1	Synchronous Side
NTMFS4C35N		N-Channel	30	20	3.2	4.2	15	5.5	2300	46	1	Synchronous Side
NTMFS4C025N		N-Channel	30	20	3.4	4.9	11.6	4	1683	40	1	Synchronous Side
NTMFS4C05N		N-Channel	30	20	3.4	5	13	3	1950	50	1	Synchronous Side
NTMFS4C06N		N-Channel	30	20	4	6	14.5	5.5	1988	71	1	Synchronous Side
NTMFS4C028N		N-Channel	30	20	4.7	7	10.9	5.4	1252	126	1	Synchronous Side
NTMFS4C08N		N-Channel	30	20	5.8	8.5	8.7	2.8	1100	38	1	Synchronous Side
NTMFS4C09N		N-Channel	30	20	6	8.8	10.9	5.4	1252	126	1	Control Side
NTMFS4C029N		N-Channel	30	20	5.9	9	9.7	4.8	987	162	1	Control Side
NTMFS4C10N		N-Channel	30	20	7	10.8	9.3	4.2	970	125	1	Control Side
NTMFS4C032N		N-Channel	30	20	7.4	11.1	7.8	3.7	770	127	1	Control Side
NTMFS4C13N		N-Channel	30	20	9.1	13.8	6.6	2.7	720	95	1	Control Side
NTTFS4C02N	μ8-FL	N-Channel	30	20	2	3	20	7	2800	66	0.8	HPPC
NTTFS4C05N		N-Channel	30	20	3.6	5.1	13	3	1950	50	1	Synchronous Side
NTTFS4C06N		N-Channel	30	20	4	6	14.5	5.5	1988	71	1	Synchronous Side
NTTFS4C08N		N-Channel	30	20	5.8	8.5	8.7	2.8	1100	38	1	Synchronous Side
NTTFS4C10N		N-Channel	30	20	7.4	11	9.3	4.2	970	125	1	Control Side
NTTFS4C13N		N-Channel	30	20	9.1	13.8	6.6	2.7	720	95	1	Control Side
NTTFS4C25N		N-Channel	30	20	17	26.5	4	1.3	455	60	1	Control Side

Switching Devices

ON Semiconductor offers a range of switching devices for high speed interface in servers, desktop computing, notebook and netbook computers. Applications include PCI Express, DisplayPort, Gigabit Ethernet and USB 2.0.

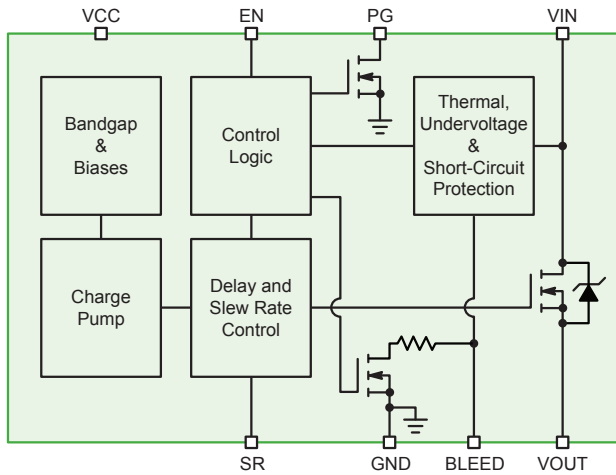


Device	Interface	Data Rate	No Channels	Quiescent Current
NCN2612B	PCIe 2.0, DisplayPort 1.1	5 Gb/s	12	250 μA
NCN1188	USB 2.0 / MHL	2.25 Gb/s	2	21 μA
NS5S1153	USB 2.0	480 Mb/s	2	21 μA
NLAS7242	USB 2.0	480 Mb/s	2	1 μA
NLAS52231	Audio	36 MHz	2	1 μA
NLAS4684	Audio	9.5 MHz	2	180 nA

Advanced Load Switches

ON Semiconductor provides a comprehensive range of load switches, suitable for a variety of different power trees.

- Copackaged MOSFET plus CMOS controllers – value-added features plus high performance
- Monolithic CMOS smart load switches – value added features, low cost
- Discrete MOSFETs – simple, high performance



NCP45xxx Integrated Load Switch Feature

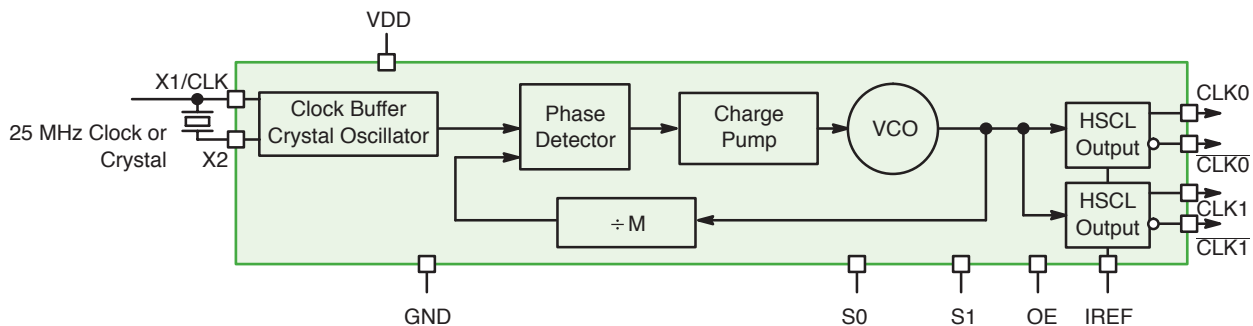
- Simple/clean design
- No current consumption in standby power mode
- Small PCB footprint
- Low RDS(ON) due to charge pump driving NMOS
- Adjustable soft-start time (SR)
- Adjustable integrated discharge
- Fault protection
- Power rail monitoring & sequencing

Type	Device	r _{on} (mΩ)	I Max (A)	V _I Min (V)	V _I Max (V)	I _q (μA)	Discharge	Slew Rate (μs)	Features	Package(s)
Smart Load Switch	NCP330	26 at 3.3 V	3	1.8	5.5	100	-	2000	Reverse blocking	TDFN-4
	NCP333	55 at 3.3 V	1.5	1.2	5.5	1	Auto	95	-	WLCSP-4
	NCP334	47 at 3.3 V	2	1.2	5.5	1	-	71	-	WLCSP-4
	NCP335	47 at 3.3 V	2	1.2	5.5	1	Auto	71	-	WLCSP-4
	NCP336	23 at 3.3 V	3	1.2	5.5	1	-	810	-	WLCSP-6
	NCP337	23 at 3.3 V	3	1.2	5.5	1	Auto	810	-	WLCSP-6
	NCP338	27 at 1.8 V	2	1	3.6	0.6	Auto	20	-	WLCSP-6
	NCP339	26 at 3.3 V	3	1.2	5.5	2	-	2700	Reverse blocking	WLCSP-6
	NCP432	50 at 1.8 V	1.5	1	3.6	0.6	-	20	-	WLCSP-4
	NCP433	50 at 1.8 V	1.5	1	3.6	0.6	Auto	20	-	WLCSP-4
	NCP434	43 at 1.8 V	2	1	3.6	0.6	-	61	-	WLCSP-4
	NCP435	43 at 1.8 V	2	1	3.6	0.6	Auto	61	-	WLCSP-4
	NCP436	23 at 1.8 V	3	1	3.6	1	-	27	-	WLCSP-6
	NCP437	23 at 1.8 V	3	1	3.6	1	Auto	27	-	WLCSP-6
ecoSWITCH™ Integrated Load Switch	NCP45524	18.0	6	0.5	13.5	-	Adj	-	Power good	DFN-8
	NCP45525	18.0	6	0.5	13.5	-	Adj	Adj	-	DFN-8
	NCP45560	2.4	24	0.5	13.5	-	Adj	Adj	Power good; Fault	DFN-12
	NCP45540	3.3	20	0.5	13.5	-	Adj	Adj	Power good; Fault	DFN-12
	NCP45541	3.3	20	0.5	13.5	-	Adj	Adj	Power good	DFN-12
	NCP45520	9.5	10.5	0.5	13.5	-	Adj	-	Power good; Fault	DFN-8
	NCP45521	9.5	10.5	0.5	13.5	-	Adj	Adj	Fault	DFN-8

Clock Synthesizers for High Performance Computing

Features

- Uses 25 MHz fundamental mode parallel resonant crystal
- PCI-e Gen 1, 2, 3, and 4 jitter complaint HCSL differential outputs
- NB3N50134 features configurable spread spectrum outputs
- NB3N51044 features individual OE control signal for each output, PLL bypass mode and an Input multiplexer
- NB3N51054 features I2C interface for OE control and configurable spread spectrum outputs
- 3.3 V supply



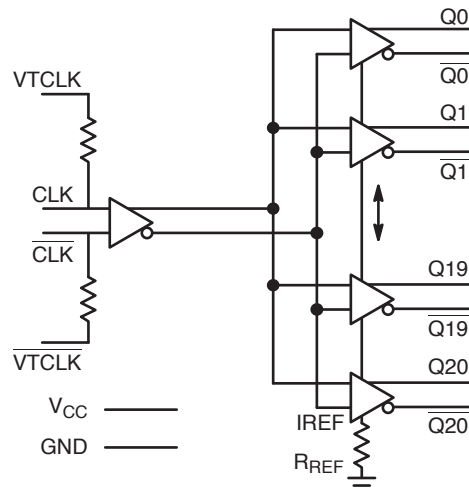
NB3N5573 Simplified Logic Diagram

Device	Number of Inputs	Input Type	f_{in} Typ (MHz)	Number of Outputs	Output Type	f_{out} Typ (MHz)	Spread Spectrum Outputs	Package
NB3N3002	1	Crystal; LVCMOS; LVTTTL	25	1	HCSL	25; 100; 125; 200	No	TSSOP-16
NB3N5573	1	Crystal; LVCMOS; LVTTTL	25	2	HCSL	25; 100; 125; 200	No	TSSOP-16
NB3N51032	1	Crystal; LVCMOS; LVTTTL	25	2	HCSL	25; 100; 125; 200	Yes	TSSOP-16
NB3N51034	1	Crystal; LVCMOS; LVTTTL	25	4	HCSL	100: 200	Yes	TSSOP-20
NB3N51044	2	Crystal; LVCMOS; LVTTTL	25	4	HCSL	100: 125	No	TSSOP-28
NB3N51054	1	Crystal; LVCMOS; LVTTTL	25	4	HCSL	100	Yes	TSSOP-24

Fanout Buffers for High Performance Computing

Features

- DC up to 400 MHz
- Accepts LVPECL, LVDS, HCSL, and single-ended inputs
- Typical input clock frequencies: 100, 133, 156.25, 166, 322.26, or 400 MHz
- Typical propagation delay: 800 ps
- HCSL differential outputs
- Integrated 50 Ω input termination resistors
- IREF pin enables setting of output drive
- Additive phase jitter 0.1 ps typical @ 100 MHz; PCI-e Gen 3 jitter compliant
- Additive phase jitter 80 fs maximum @ 156.25 MHz with NB3L208K, NB3L204K, NB3L202K; DB800H, DB400H, DB200H compliant



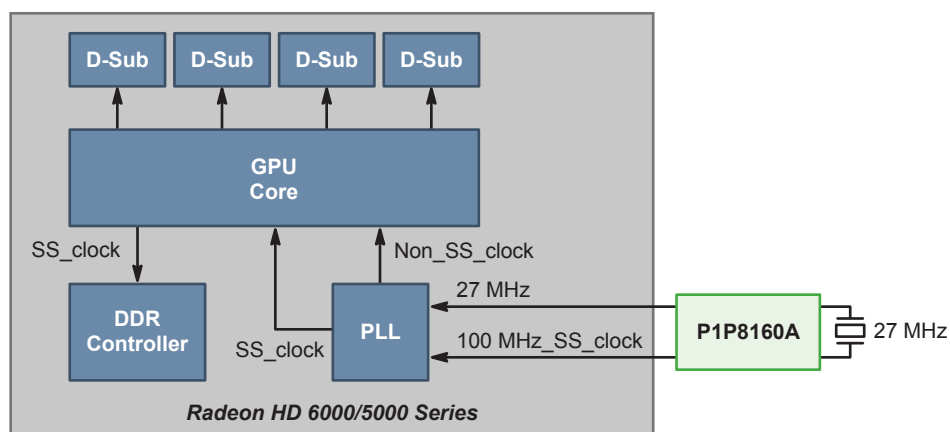
NB3N121K Logic Diagram

Device	Ratio	Additive Jitter(RMS) Typ (ps)	t _{skew(o-o)} Max (ps)	t _{pd} Typ (ns)	t _r & t _f Max (ps)	f _{maxClock} Typ (MHz)	Package
NB3L202K	1:2	0.046	30	1	125	350	QFN-16
NB3L204K	1:4	0.046	30	1	125	350	QFN-24
NB3N106K	1:6	0.1	100	0.8	400	400	QFN-24
NB3L208K	1:8	0.046	30	1	125	350	QFN-32
NB3N108K	1:8	0.1	100	0.8	400	400	QFN-32
NB3N111K	1:10	0.1	100	0.8	400	400	QFN-32
NB4N111K	1:10	<1	100	0.8	700	400	QFN-32
NB3N121K	1:21	0.1	100	0.8	700	400	QFN-52
NB4N121K	1:21	<1	50	0.8	700	200	QFN-52
NB3M8T3910G	3:1:10	0.05	50	1	300	1400	QFN-48

Computing Clock for Graphics

P1P8160A Features

- Provides reference clock to the GPU & reduces EMI in the GDDR interface
- Input frequency 27 MHz; crystal or reference clock
- Output frequency 100 MHz spread spectrum clock; 27 MHz RefOUT
- Two tri-level logic pins for selecting eight frequency deviations along with SSOFF
- Modulation rate at 100 MHz: 32 kHz
- Low cycle-cycle & long term jitter
- Supply voltage: 3.3 V \pm 10%
- WDFN-10 package



P1P8160A for AMD Graphics Card Application

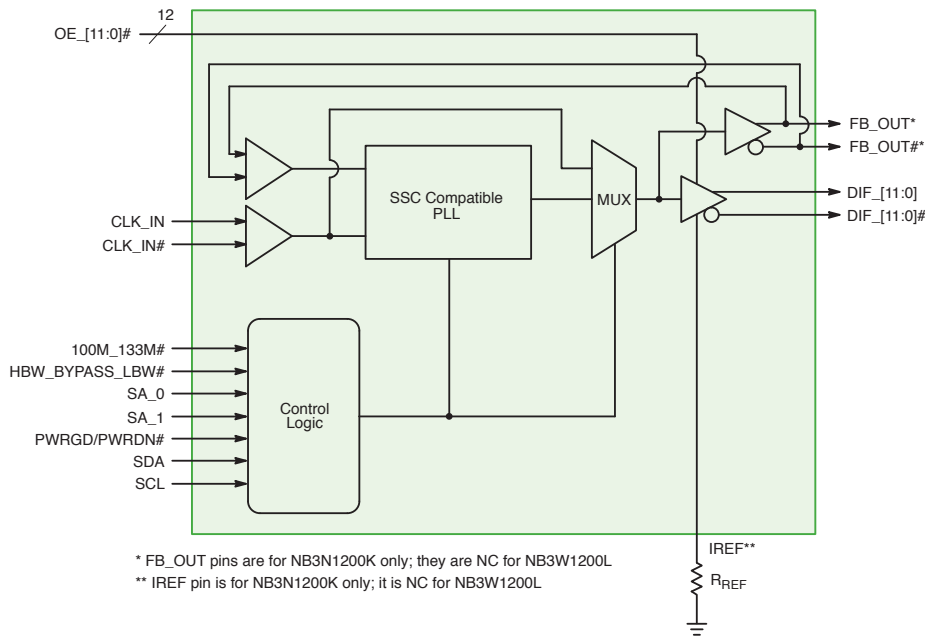
NB3N51054 Features

- Uses 25 MHz Fundamental Crystal or Reference Clock Input
- Four Low Skew HCSL or LVDS Outputs
- I2C Support with Read Back Capability
- Spread of -0.35%, -0.5% and No Spread
- Individual Output Enable/Disable Control through I2C
- PCIe Gen 1, Gen 2, Gen 3, Gen 4 Compliant
- Typical Phase Jitter @ 100 MHz (Integrated 12 kHz to 20 MHz): 0.5 ps
- Typical Cycle-Cycle Jitter @ 100 MHz (10k cycles): 20 ps
- Operating Power Supply: 3.3 V \pm 5%

Zero Delay Buffers Compliant with DB Specifications

Features

- Differential SRC clock support
- NB3N1900K, NB3N1200K: DB1900Z and DB1200Z compliant with 19 and 12 HCSL output pairs respectively
- NB3W1900L, NB3W1200L, NB3W800L: DB1900ZL, DB1200ZL, and DB800ZL compliant with 19, 12, and 8 low power NMOS push-pull output pairs respectively
- Optimized for 100 MHz and 133 MHz to meet PCIe Gen 2, Gen 3, Gen 4, and Intel QPI and UPI phase jitter specifications
- Spread spectrum compatible for low EMI
- Pseudo-external fixed-feedback for low input-to-output delay variation
- Individual OE control pin for each output
- SMBUS programmability for power down mode, PLL BW modes, PLL/Bypass mode & frequency selection



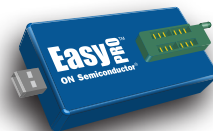
NB3N1200K Simplified Block Diagram

Device	Ratio	Output	t _{jitter(Cy-Cy)} Typ (ps)	t _{skew(I-o)} Max (ps)	t _{skew(o-o)} Max (ps)	Edge Rate Max (V/ns)	Package
NB3W800L	1:8	Low power NMOS push-pull	34	±100	50	4	QFN-48
NB3N1200K	1:12	HCSL	50	±100	50	4	QFN-64
NB3W1200L	1:12	Low power NMOS push-pull	50	±100	50	4	QFN-64
NB3N1900K	1:19	HCSL	50	±100	65	4	QFN-72
NB3W1900L	1:19	Low power NMOS push-pull	50	±100	85	4	QFN-72

EEPROMs for Configuration and Calibration

Features

- Broad density range: 1 kb to 2 Mb
- Wide operating Vcc range: 1.7 V to 5.5 V
- High endurance: 1 million program/erase cycles
- Wide temperature range: industrial and extended



EasyPRO™ is a user-friendly, portable programming tool for ON Semiconductor serial EEPROMs (I²C, SPI, Microwire)

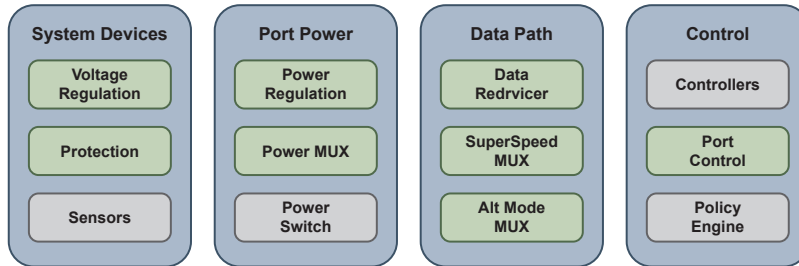
EEPROMs

Data Transmission Standard	Density	Organization*	Vcc Min (V)	Vcc Max (V)	fCLK Max (MHz)	Package(s)
I ² C	1 Mb	128k x 8	1.7, 1.8	5.5	0.4, 1	US8, SOIC-8, TSSOP-8, UDFN-8, TSOT23-5, WLCSP-4, WLCSP-5, WLCSP-8
	512 kb	64k x 8				
	256 kb	32k x 8				
	128 kb	16k x 8				
	64 kb	8k x 8				
	32 kb	4k x 8				
	16 kb	2k x 8				
	8 kb	1k x 8				
	4 kb	512 x 8				
SPI	2 kb	256 x 8	1.7, 1.8	5.5	10, 20	SOIC-8, TSSOP-8, UDFN-8
	2 Mb	256k x 8				
	1 Mb	128k x 8				
	512 kb	64k x 8				
	256 kb	32k x 8				
	128 kb	16k x 8				
	64 kb	8k x 8				
	32 kb	4k x 8				
	16 kb	2k x 8				
	8 kb	1k x 8				
	4 kb	512 x 8				
Microwire	2 kb	256 x 8	1.65, 1.8	5.5	2, 3, 4	SOIC-8, TSSOP-8, UDFN-8
	1 kb	128 x 8				
	16 kb	2k x 8 / 1k x 16				
	16 kb	2k x 8 / 1k x 16				
	8 kb	1k x 8 / 512 x 16				
	8 kb	1k x 8 / 512 x 16				
	4 kb	512 x 8 / 256 x 16				
2 kb	256 x 8 / 128 x 16					
1 kb	128 x 8 / 64 x 16					
1 kb	128 x 8 / 64 x 16					

* Organization for Microwire devices is selectable.

USB-C for PC/Laptop

PC/Laptop form factors are getting smaller, thinner, and lighter with the adaptation of the USB Type-C connectors. ON Semiconductor offers multiport solutions compatible with the USB Type-C Port Controller Protocol and Power Delivery 3.0.



Block Diagram



System Devices

Function	Device	Description
Voltage Regulation	NCP81231	Buck Controller, USB Power Delivery and Type-C Applications
Protection	ESD8704	High Speed Data Line Protection, Unidirectional (3.3 V - USB 3.x)
	ESDL2011	High Speed Data Line Protection, Bidirectional (1 V - Thunderbolt 3.0), 0.2 pF
	ESDM3551	ESD Protection Diode, CC and SBU Protection (5.5 V - USB 3.x), 21 pF
	NSPM2052	ESD and Surge Protection Device, Vbat and Vbus Applications, 5 V
	NIS5452	Electronic Fuse, 5 V
	NCS210	Current Sense Amplifier, Bidirectional Zero-Drift, 1% Max. Gain Error, 60 μV Offset
	NCS211	Current Sense Amplifier, Bidirectional Zero-Drift, 1% Max. Gain Error, 60 μV Offset
	NCS213	Current Sense Amplifier, Bidirectional Zero-Drift, 1% Max. Gain Error, 100 μV Offset
	NCS214	Current Sense Amplifier, Bidirectional Zero-Drift, 1% Max. Gain Error, 60 μV Offset
	FUSB252UMX	High Speed Digital (HSD) Port Protection Switch with Type-C CC
FSUSB242UCX	USB Type-C Port Protection Switch	

Data Path

Function	Device	Description
Data Redriver	NB7NPQ7021M	USB 3.1 Dual Channel Linear Redriver, 3.3 V
	NB7NPQ701M	USB 3.1 Single Channel Redriver, 3.3 V
	NB7VPQ702M	USB 3.1 Dual Channel Redriver, 3.3 V
	NB7VPQ701M	USB 3.1 Single Channel Redriver, 1.8 V
SuperSpeed Mux	FUSB340TMX	USB 3.1 SuperSpeed Switch, 10 Gbps
	FSA4476UCX	Analog Audio Switch with Protection Function, USB Type-C

Power Port

Function	Device	Description
Power Regulation	NCP1342	Quasi-Resonant Flyback Controller with Valley Lock-Out Switching
	NCP4305	Secondary Side Synchronous Rectification Driver for High Efficiency SMPS Topologies
	NCP4306	Secondary Side Synchronous Rectification Driver for High Efficiency SMPS Topologies
	NCP43080	Synchronous Rectifier Controller with LLD Function
Power MUX	FPF2595UCX	Load Switch, Over-Voltage, Over-Current Protection with Adjustable Current-Limit Control, IntelliMAX™ 28 V
	FPF2895CUCX	Current Limit Load Switch with OVP and TRCB, 28 V, 5 A

Control

Function	Device	Description
Port Control	FUSB302TMPX	Programmable USB Type-C Controller with PD (Default SRC)
	FUSB303TMX	Autonomous USB Type-C Controller with I2C and GPIO Control
	FUSB307BMPX	USB Type-C Port Controller with USB-PD

USB 3.x Type A Connector

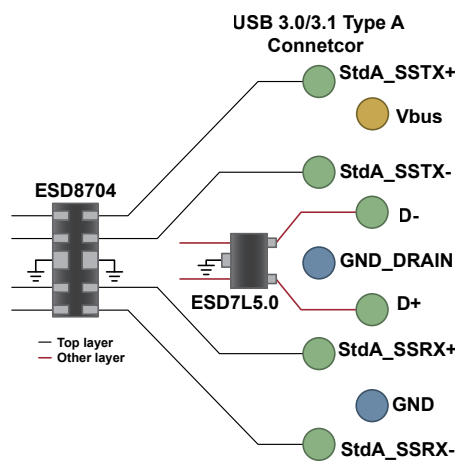
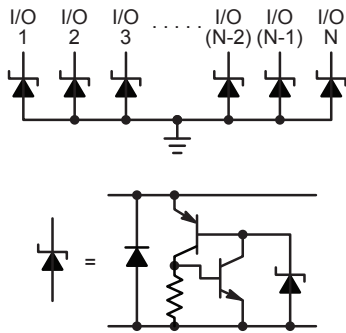
Two SuperSpeed Pairs, One High Speed Pair, V_{CC}, Low Capacitance ESD Protection

Key Requirement

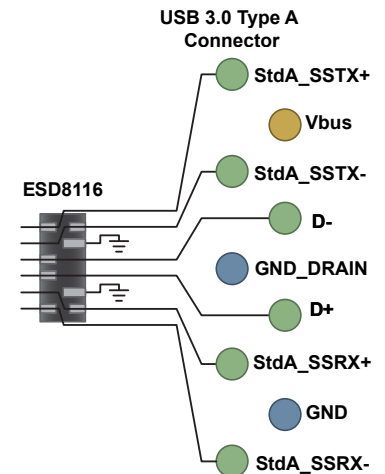
- Cap < 0.7 pF

Features

- 0.35 pF
- Flow through routing
- Industry leading low clamping voltage versus competitors

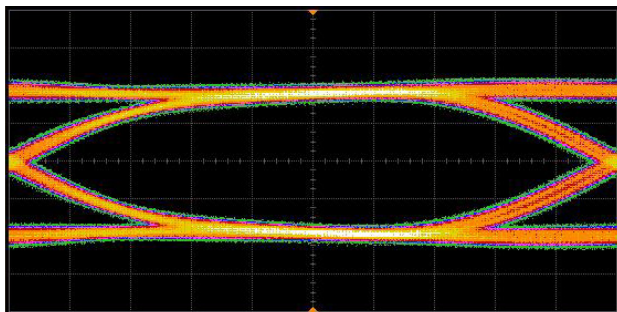


ESD8704 – 0.35 pF, 2 Layer Routing
(ESD8704; ESD7L5.0 for D+, D- Lines)

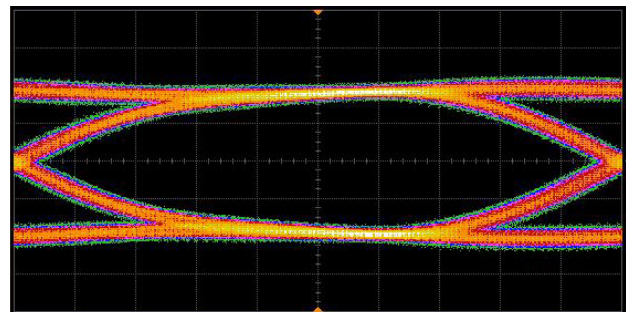


ESD8116 – 0.30 pF, 1 Layer Routing

Device	Interface	Data Lines	Capacitance (pF)	Package	Size (mm)
ESD8704	USB 3.x	2 Pair (Tx, Rx)	0.35	UDFN-10	2.5 x 1.0
ESD7L	USB 3.x	1 Pair (D+/-)	0.5	SOT-723	1.2 x 1.2
ESD8504	USB 3.0	2 Pair (Tx, Rx)	0.4	UDFN-10	2.5 x 1.0
ESD8104	USB 3.0	2 Pair (Tx, Rx)	0.3	UDFN-10	2.5 x 1.0
ESD8116	USB 3.0	3 Pair (Tx, Rx, D+/-)	0.3	UDFN-8	2.0 x 1.2
ESD8011	USB 3.x	Single Line	0.10	X3DFN-2	0.62 x 0.32
ESD8101	USB 3.x	Single Line	0.20	DSN-2	0.43 x 0.23
ESD8111	USB 3.x	Single Line	0.20	WLCSP-2	0.6 x 0.3
ESD8006	USB 3.0	3 Pair (Tx, Rx, D+/-)	0.25	UDFN-8	3.3 x 1.0



Without ESD



With ESD

USB 3.0 @ 5 Gb/s

USB 2.0

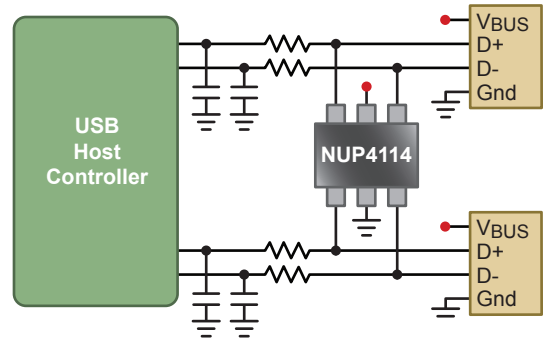
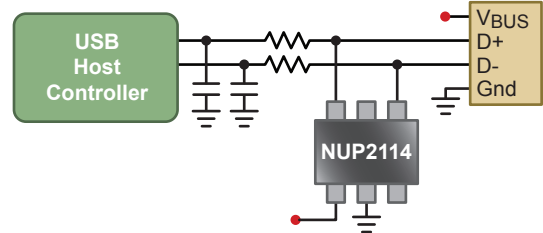
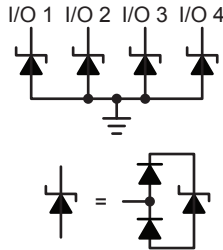
One High Speed Pair, V_{CC}, Low Capacitance ESD Protection

Key Requirement

- Cap < 5 pF

Features

- 0.35 - 3.0 pF
- Multi-part solutions available
- Industry leading low clamping voltage



Device	Data Lines	Capacitance (pF)	Package	Size (mm)
NUP2114UPX	1 Pair (D+/-) + Vbus	0.8	SOT-553	1.2 x 1.6
NUP2114UCM	1 Pair (D+/-) + Vbus	0.8	TSOP-6	3.0 x 2.75
NUP4114UPX	2 Pair (D+/-) + Vbus	0.5	SOT-563	1.6 x 1.6
NUP4114UCL	2 Pair (D+/-) + Vbus	0.5	SC-88	2.0 x 2.1
NUP4114H	2 Pair (D+/-) + Vbus	0.5	TSOP-6	3.0 x 2.75
ESD7L5.0	2	0.5	SOT-723	1.2 x 1.2
ESD8351MUT	1	0.37	X3DFN-2	0.6 x 0.3
ESD8351P2T	1	0.37	SOD-923	1.0 x 0.6
ESD9L5.0	1	0.5	SOD-923	1.0 x 0.6

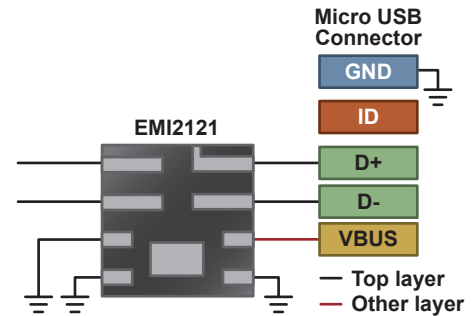
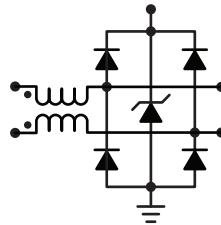
One High Speed Pair, V_{CC}, Common Mode Filter + ESD Protection

Key Requirement

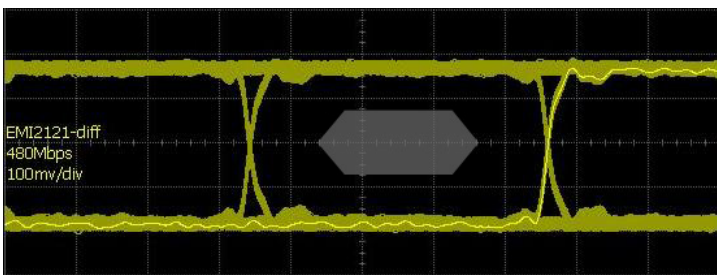
- Cap < 5 pF
- Common Mode Filtering

Features

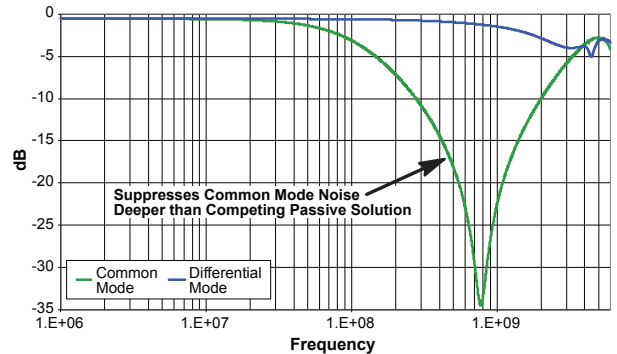
- 0.5 - 0.8 pF
- Integrated EMI suppression with ESD protection
- Industry leading low clamping voltage



Device	Pairs	Capacitance @ 2.5 V (pF)	CM Attenuation @ 800 MHz (-dB)	DM Bandwidth F3dB (GHz)	Package	Size (mm)
EMI2121	1	0.9	-25	2.5	WQFN	2.2 x 2.0 x 0.75



USB 2.0 @ 480 Mb/s



Thunderbolt

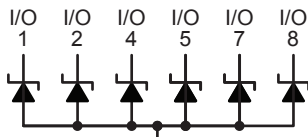
Four High Speed Pairs, up to Six Additional Lines, Low Capacitance ESD

Key Requirement

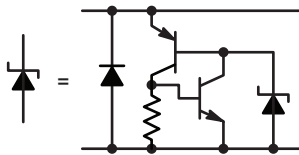
- Capacitance < 0.4 pF

Features

- Capacitance of 0.35 pF or lower
- Integrated solution in 2.0 x 1.2 mm package
- Grounds between pairs to reduce cross-talk
- Flow-through routing
- Industry leading clamping voltage

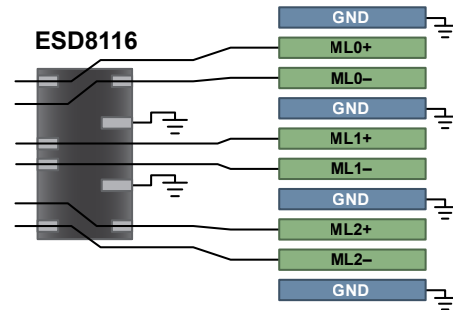


Common GND = Pins 2, 3

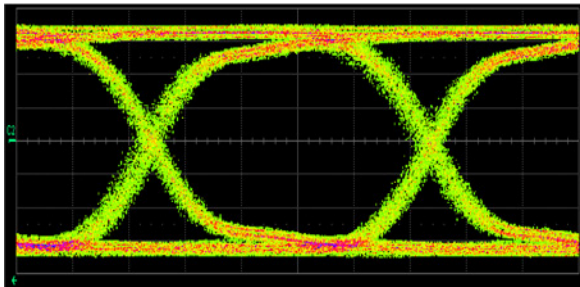
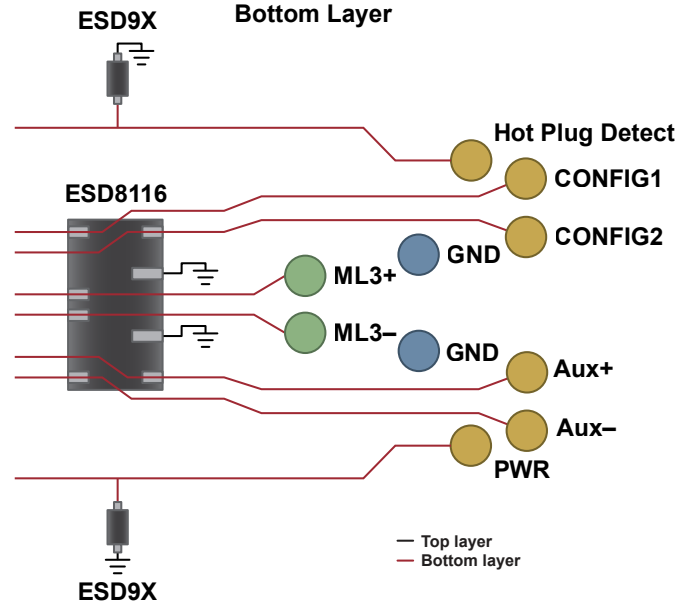


Device	Data Lines	Capacitance (pF)	Package	Size (mm)
ESD8006	3 Pair	0.25	UDFN-8	3.3 x 1.0
ESD8116	3 Pair	0.30	UDFN-8	2.0 x 1.2
ESD8011	Single Line	0.10	X3DFN-2	0.62 x 0.32
ESD8101	Single Line	0.20	DSN-2	0.43 x 0.23

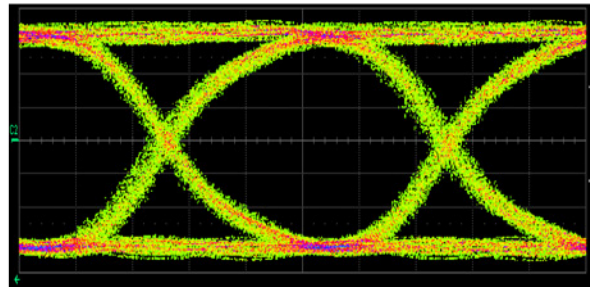
Thunderbolt Connector Top Layer



Thunderbolt Connector Bottom Layer



Without ESD8116



With ESD8116

Thunderbolt @ 10 Gb/s

HDMI, Display Port

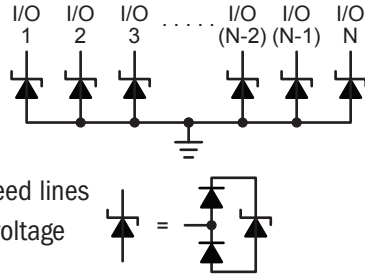
Four High Speed Pairs, Up to Six Additional Interface Lines, Low Capacitance ESD

Key Requirement

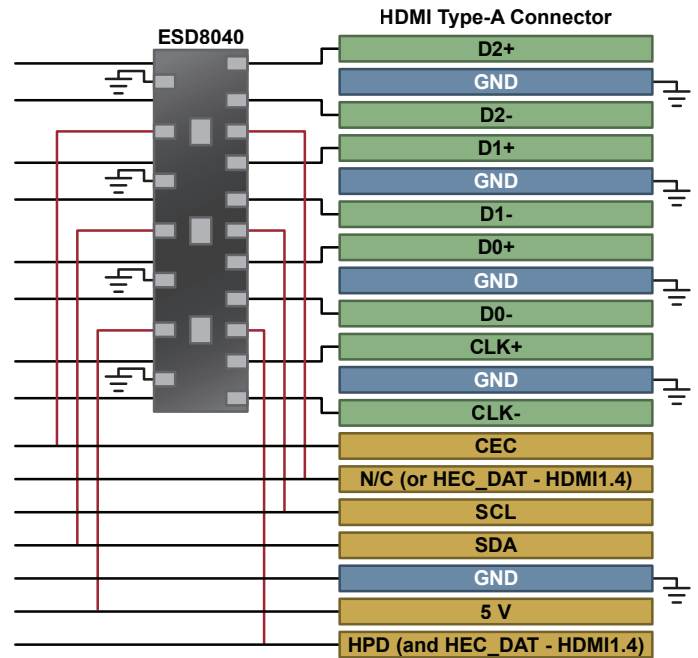
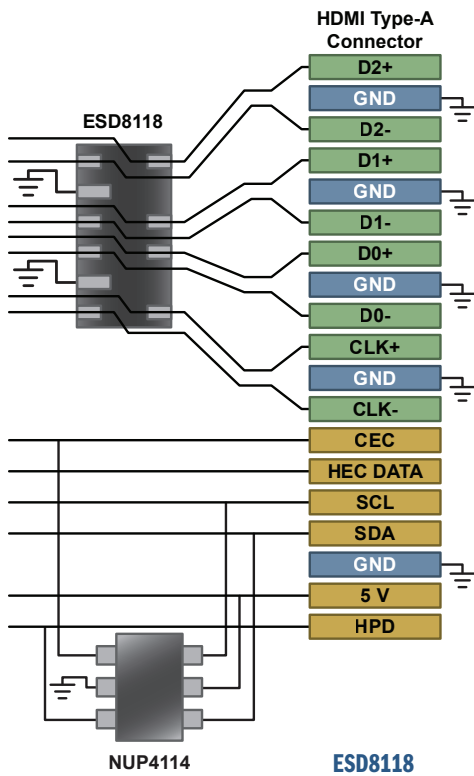
- Cap < 0.5 pF

Features

- 0.3 pF ESD protection
- Flow through routing in high speed lines
- Industry leading low clamping voltage

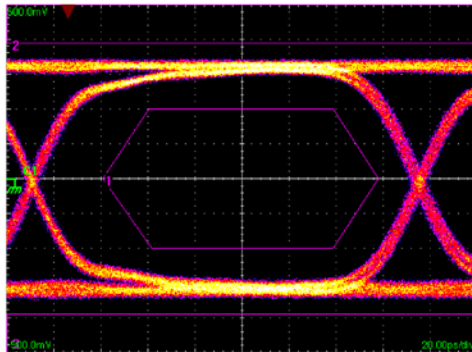


Device	Data Lines	Capacitance (pF)	Package	Size (mm)
ESD8104	4 (TMDS)	0.3	UDFN-10	2.5 x 1.0
ESD8118	8 (TMDS)	0.3	UDFN-10	3.2 x 1.2
ESD8040	14 (TMDS + Low Speed + Power)	0.3	UDFN-18	5.5 x 1.5
NUP4114UPX	5 (4 Low Speed + Power)	0.5	SOT-563	1.6 x 1.6
NUP4114UCL	5 (4 Low Speed + Power)	0.5	SC-88	2.0 x 2.1
NUP4114H	5 (4 Low Speed + Power)	0.5	TSOP-6	3.0 x 2.75

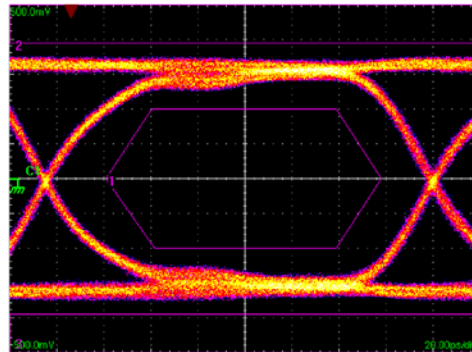


- MediaGuard fully integrated solution
- Includes ethernet protection (HDMI1.4)
- Backdrive current protection

— Top layer
— Other layer



Without ESD



With ESD

HDMI 2.0 Eye Diagram with and without ESD8104. 6 Gb/s

Ethernet: 10/100BASE-T, 1000BASE-TX, and Gigabit

Four Pairs, Low Capacitance Surge and ESD Protection

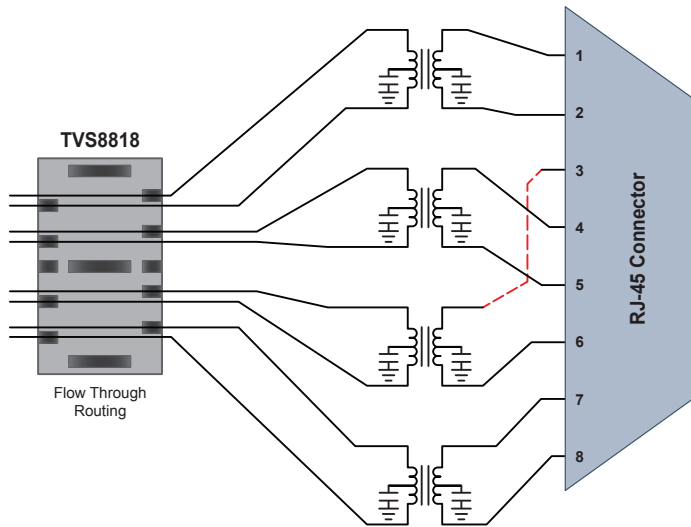
The 1000BASE-T or Gigabit Ethernet interface operating at higher bitrates is susceptible to ESD strikes, cable-discharge events and lightning-induced transients. Our products help meet IEC 61000-4-5, GR-1089-CORE and other Standards.

Features

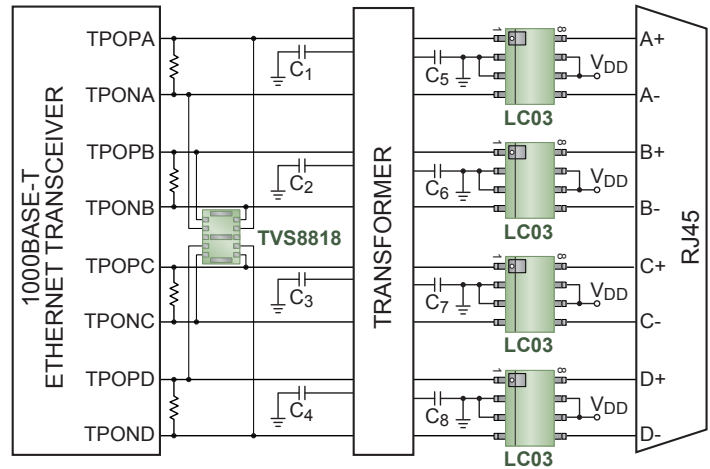
- Line-to-line capacitance < 3 pF
- V_{clamp} (25 A surge) < 11 V
- IEC 61000-4-2 rating > 30 kV
- No latching danger
- Surge rating maintained to 125°C

Benefits

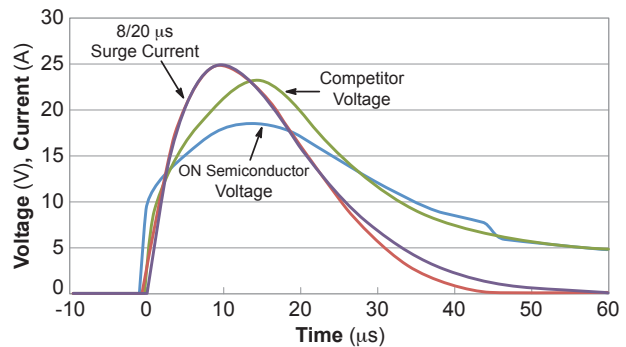
- Compatible with Gb Ethernet and beyond
- Enhanced protection for downstream electronics
- Accommodates operating transients above 3.3 V
- Small form-factor allows integration into connectors



Typical Application



Line Side : LC03-6 (optional)
Transformer Side: TVS8818
Protection against metallic (transverse) strikes



Line-to-Line Surge

Surge Protection Devices

Device	V_{DC} Max (V)	Line Transient Max (V)	Surge I_{PP} , 8/20 μ s (A)	Typical Line-Line Capacitance (pF)	ESD Contact Rating (kV)	Package
LC03-6	6.7	7.0	100	8.0	\pm 30	SOIC-8
NSP4201	5.0	6.0	25	1.5	\pm 30	TSOP-6
NSP8814	3.0	3.2	35	1.5	\pm 30	UDFN-8
NSP8818	3.0	3.2	35	1.5	\pm 30	UDFN-10
NUP4114H	5.0	5.0	12*	0.4	\pm 13	TSOP-6
SRDA3.3	3.3	5.0	25	4.0	\pm 8	SOIC-8
SRDA05	5.0	7.0	23	5.0	\pm 8	SOIC-8

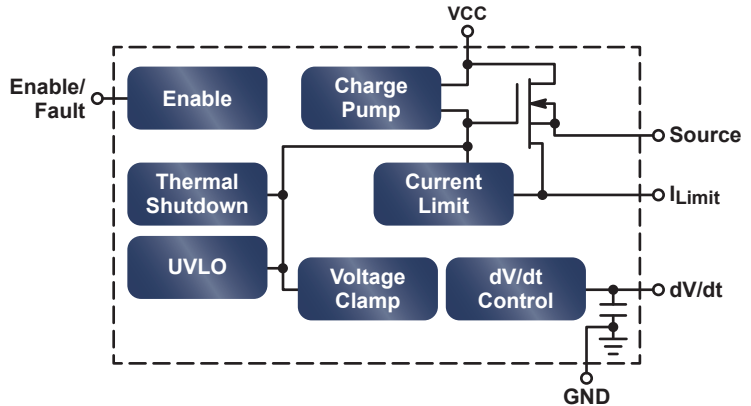
* On Pin 5.

Electronic Fuses

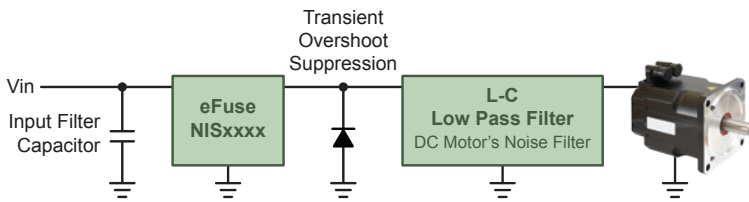
3 - 12 V Power Bus Hot Plug Protection

Features

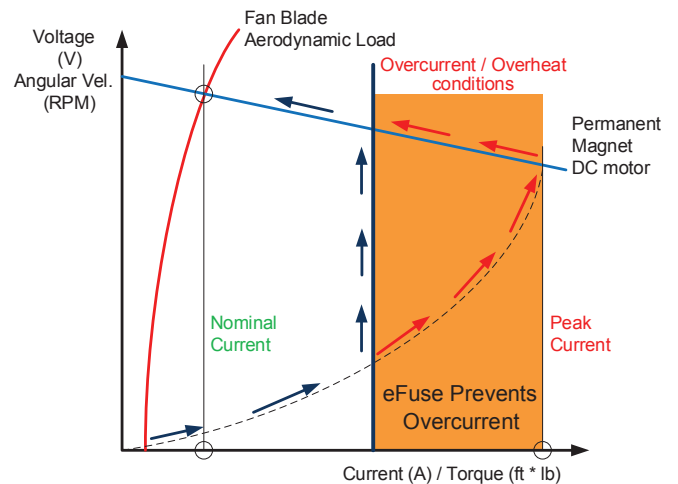
- Low $R_{DS(ON)}$, high operating and trip currents (IOP, ITRIP)
- Overvoltage protection
- Precise ITRIP control
- Slew rate control
- Thermal shut-down
- EN pin for synchronizing multiple eFuses
- Outperforms poly-fuses:
 - Tighter spec tolerances
 - Lower resistance
 - Shorter trip-time
 - Superior repeatability
- High efficiency with high current capability
- eFuses in parallel achieve practically any desired level of IOP and ITRIP



Typical Feature Set for eFuse



Typical Application Block Diagram



DC Motor I/V Characteristics

Device	Nominal Voltage (V)	Input Voltage (V)	Vclamp (V)	Continuous Current (A)	Trip Current (A)	$R_{DS(ON)}$ (m Ω)	Auto-Retry	Latch	Package
NIS5431	3.3	-0.6 to 14	3.85	5	Adjustable	35	✓	✓	WDFN-10
NIS5452	5	-0.6 to 14	5.85	5	Adjustable	35	✓	✓	WDFN-10
NIS5232	12	-0.6 to 18	15	4.2	Adjustable	44	**	✓	DFN-10
NIS5820*	12	-0.3 to 22	14	8	Adjustable	24	✓	✓	WDFN-10
NIS5020*	12	-0.3 to 22	14	10	Adjustable	14	✓	✓	WDFN-10
NIS5021*	12	-0.3 to 22	14	12	Adjustable	14	✓	✓	WDFN-10

* Pending 1Q18. ** Auto-retry available on NIS5132MN2.

Sales and Design Assistance from ON Semiconductor

ON Semiconductor Technical Support
www.onsemi.com/support

ON SEMICONDUCTOR INTERNATIONAL SALES OFFICES		
GREATER CHINA	Beijing	86-10-8577-8200
	Hong Kong	852-2689-0088
	Shenzhen	86-755-8209-1128
	Shanghai	86-21-5131-7168
	Taipei, Taiwan	886-2-2377-9911
FRANCE	Paris	33 (0)1 39-26-41-00
GERMANY	Munich	49 (0) 89-93-0808-0
INDIA	Bangalore	91-98-808-86706
ISRAEL	Raanana	972 (0) 9-9609-111
ITALY	Milano	39 02 9239311
JAPAN	Tokyo	81-3-6880-1777
KOREA	Seoul	82-31-786-3700
MALAYSIA	Penang	60-4-6463877
SINGAPORE	Singapore	65-6484-8603
SLOVAKIA	Piestany	421 33 790 2450
UNITED KINGDOM	Maidenhead	44 (0) 1628 244326

For a comprehensive listing of
**ON Semiconductor Sales Offices, Distributors,
 and Rep Firms, please visit:**

Americas & EMEA: www.onsemi.com/sales
China: www.onsemi.cn/sales
Japan: www.onsemi.jp/sales



AMERICAS REP FIRMS

Alabama	Huntsville	e-Components	(256) 533-2444
Brazil	Countrywide	Ammon & Rizos	(+55) 11-4688-1960
California	Bay Area	Electec	(408) 496-0706
Canada	Eastern Canada	Astec	(905) 607-1444
Connecticut	Statewide	Paragon Electronic Systems	(603) 645-7630
Florida	Statewide	e-Components	(888) 468-2444
Georgia	Atlanta	e-Components	(888) 468-2444
Illinois	Statewide	Matrix - Design Technology	(952) 400-1070
Indiana	Fishers	Bear VAI	(317) 570-0707
Iowa	Statewide	Matrix - Design Technology	(319) 362-6824
Maine	Statewide	Paragon Electronic Systems	(603) 645-7630
Maryland	Columbia	Mechtronics Sales	(410) 309-9600
Massachusetts	Statewide	Paragon Electronic Systems	(603) 645-7630
Mexico	Countrywide	Ammon & Rizos	(+55) 11-4688-1960
Michigan	St. Joseph	Bear VAI	(440) 526-1991
Minnesota	Eden Prairie	Matrix - Design Technology	(952) 400-1070
Missouri	Belton	Matrix - Design Technology	(816) 589-2308
Nebraska	Statewide	Matrix - Design Technology	(816) 589-2308
New Hampshire	Statewide	Paragon Electronic Systems	(603) 645-7630
New Jersey	Statewide	S.J. Metro	(516) 942-3232
New York	Binghamton	TriTech - Full Line Rep	(607) 722-3580
	Jericho	S.J. Metro	(516) 942-3232
	Rochester	TriTech - Full Line Rep	(585) 385-6500
North Carolina	Raleigh	e-Components	(888) 468-2444
North Dakota	Statewide	Matrix - Design Technology	(952) 400-1070
Ohio	Brecksville	Bear VAI Technology	(440) 526-1991
Puerto Rico	Countrywide	e-Components	(888) 468-2444
Rhode Island	Statewide	Paragon Electronic Systems	(603) 645-7630
South Dakota	Statewide	Matrix - Design Technology	(952) 400-1070
Vermont	Statewide	Paragon Electronic Systems	(603) 645-7630
Wisconsin	Statewide	Matrix - Design Technology	(952) 400-1070

ON Semiconductor Distribution Partners

Allied Electronics	www.alliedelec.com	(800) 433-5700
ALTIMA Company, Macnica, Inc.	www.alt.macnica.co.jp/about/english.html	(81) 45 476 2155
Arrow Electronics	www.arrow.com	(800) 777-2776
Avnet	www.em.avnet.com	(800) 332-8638
Daiwa Distribution Ltd.	www.daiwahk.com	(852) 2341 3351
Digi-Key	www.digikey.com	(800) 344-4539
EBV Elektronik	www.ebv.com/en/locations.html	(49) 8121 774-0
Future & FAI Electronics	www.futureelectronics.com/contact	1-800-FUTURE1 (388-8731)
Mouser Electronics	www.mouser.com	(800) 346-6873
Newark/Farnell	www.farnell.com/onsemi	(800) 4-NEWARK
OS Electronics Co., Ltd.	www.oselec.com	Japanese: (81) 3 3255 5985 Other Languages: (81) 3 3255 6066
Promate Electronic Co.	www.promate.com.tw	(886) 2 2659 0303
Ryoden Corporation	www.ryoden.co.jp/en	(81) 3 5396 6310
Ryosan Company, Limited	www.ryosan.co.jp/eng	(81) 3 3862 2635
RS Components	www.rs-components.com	(44) 153 644 4414
Segyung Britestone Co.	www.bristestone.com	(82) 2 3218 1511
Serial Microelectronics, HK	www.serialsys.com.hk	(852) 2790 8220
World Peace Industries Co.	www.wpi-group.com	(852) 2365 4860
WT Microelectronics Co.	www.wtmec.com	(852) 2950 0820
Yosun Electronics	www.yosun.com.tw	(886) 2 2659 8168

Arm and Cortex are registered trademarks of Arm Limited (or its subsidiaries) in the EU and/or elsewhere. All other brand names and product names appearing in this document are trademarks of their respective holders.

ON Semiconductor and the ON Semiconductor logo are trademarks of Semiconductor Components Industries, LLC dba ON Semiconductor or its subsidiaries in the United States and/or other countries. ON Semiconductor owns the rights to a number of patents, trademarks, copyrights, trade secrets, and other intellectual property. A listing of ON Semiconductor's product/patent coverage may be accessed at www.onsemi.com/site/pdf/Patent-Marking.pdf. ON Semiconductor reserves the right to make changes without further notice to any products herein. ON Semiconductor makes no warranty, representation or guarantee regarding the suitability of its products for any particular purpose, nor does ON Semiconductor assume any liability arising out of the application or use of any product or circuit, and specifically disclaims any and all liability, including without limitation special, consequential or incidental damages. Buyer is responsible for its products and applications using ON Semiconductor products, including compliance with all laws, regulations and safety requirements or standards, regardless of any support or applications information provided by ON Semiconductor. "Typical" parameters which may be provided in ON Semiconductor data sheets and/or specifications can and do vary in different applications and actual performance may vary over time. All operating parameters, including "Typicals" must be validated for each customer application by customer's technical experts. ON Semiconductor does not convey any license under its patent rights nor the rights of others. ON Semiconductor products are not designed, intended, or authorized for use as a critical component in life support systems or any FDA Class 3 medical devices or medical devices with a same or similar classification in a foreign jurisdiction or any devices intended for implantation in the human body. Should Buyer purchase or use ON Semiconductor products for any such unintended or unauthorized application, Buyer shall indemnify and hold ON Semiconductor and its officers, employees, subsidiaries, affiliates, and distributors harmless against all claims, costs, damages, and expenses, and reasonable attorney fees arising out of, directly or indirectly, any claim of personal injury or death associated with such unintended or unauthorized use, even if such claim alleges that ON Semiconductor was negligent regarding the design or manufacture of the part. ON Semiconductor is an Equal Opportunity/Affirmative Action Employer. This literature is subject to all applicable copyright laws and is not for resale in any manner.

PUBLICATION ORDERING INFORMATION

LITERATURE FULFILLMENT:

Literature Distribution Center for ON Semiconductor
 19521 E. 32nd Pkwy, Aurora, Colorado 80011 USA
Phone: 303-675-2175 or 800-344-3860 Toll Free USA/Canada
Fax: 303-675-2176 or 800-344-3867 Toll Free USA/Canada
Email: orderlit@onsemi.com

N. American Technical Support: 800-282-9855 Toll Free
 USA/Canada.

Europe, Middle East and Africa Technical Support:
 Phone: 421 33 790 2910

ON Semiconductor Website: www.onsemi.com

Order Literature: <http://www.onsemi.com/orderlit>

For additional information, please contact your local
 Sales Representative

Mouser Electronics

Authorized Distributor

Click to View Pricing, Inventory, Delivery & Lifecycle Information:

[ON Semiconductor:](#)

[NCP81102MNTXG](#) [NCP81102MNTWG](#)