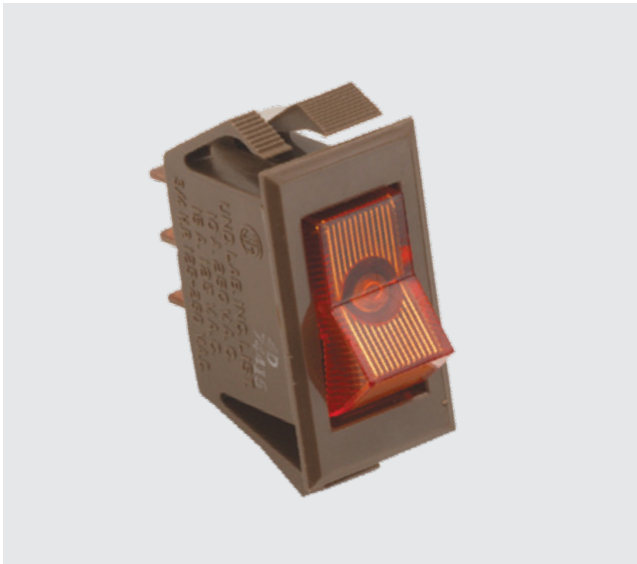


# LTA-Series

## SINGLE POLE LIGHTED ROCKER SWITCHES

The illuminated predecessor to the Curvette series whose versatility has allowed it to stand the test of time. Traditional styling coupled with self cleaning contacts, integrated wire leads, and various actuator choices has made the LTA-Series appeal to a wide range of markets.



### Product Highlights:

- ◆ Neon or Incandescent Illumination
- ◆ Long Paddle, Short Paddle or Rocker Actuators
- ◆ Good for 125/250VAC or Low Voltage DC Applications
- ◆ Integrated Wire Lead Construction

### Typical Applications:

- ◆ Appliance
- ◆ HVAC
- ◆ Food Service
- ◆ Transportation



### Dielectric Strength

UL/CSA:  
1000V - live to dead metal parts  
750V - across open contacts

### Mechanical Life

100,000 cycles

### Operating Temperature

32°F to 185°F (0°C to 85°C)

### Electrical Life

100,000 cycles

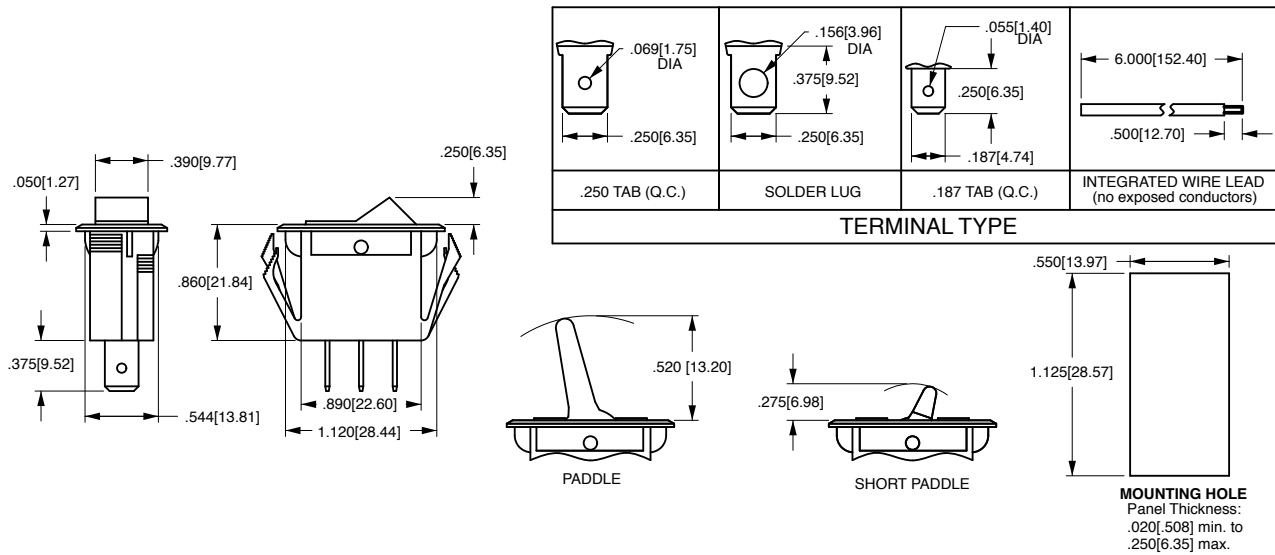
**LTA201 - P R - B -A / 125N**

1 Base Part Number      2 Actuator Style      3 Actuator Color      4 Bezel Color/Style      5 Lens Color      6 Lamp Voltage

<b>1 BASE PART NUMBER: SERIES / CIRCUITRY / RATING <sup>1</sup> / TERMINATION</b> 10A 250VAC; 15A 125VAC; 3/4 HP 125-250VAC			
OFF-NONE-ON	Solder Lugs LTA200	.250 Tabs LTA201	.187 Tabs LTA203
			Wire Leads LTA205
<b>2 ACTUATOR STYLE <sup>3</sup></b>			
T	Rocker		
P	Paddle	PS	Short Paddle
<b>3 ACTUATOR COLOR <sup>1</sup></b>			
A	Amber	B	Black <sup>4</sup>
C	Clear	W	White <sup>4</sup>
R	Red		
G	Green <sup>2</sup>		

<b>4 BEZEL COLOR <sup>1</sup></b>			
B	Black	W	White
<b>5 LENS COLOR <sup>2,3</sup></b>			
Blank	No Lens	-G	Green
-A	Amber	-R	Red
-C	Clear	-LU	Blue
<b>6 LAMP VOLTAGE <sup>2</sup></b>			
006V	6V incandescent	024V	24V incandescent
012V	12V incandescent	125N	125V neon
018V	18V incandescent	250N	250V neon

Notes:  
1 Additional ratings and colors are available. Consult factory for details.  
2 Neon lamps not recommended with green or blue rocker/lenses.  
3 Lens color is specified only if actuator style is P or PS. If style is T (rocker), then leave position 5 blank.  
4 Available with paddle ("P & PS") style actuators only.



\*Manufacturer reserves the right to change product specification without prior notice.

## Authorized Sales Representatives and Distributors

Click on a region of the map below to find your local representatives and distributors or visit [www.carlingtech.com/findarep](http://www.carlingtech.com/findarep).



## About Carling

Founded in 1920, Carling Technologies is a leading manufacturer of electrical and electronic switches and assemblies, circuit breakers, electronic controls, power distribution units, and multiplexed power distribution systems. With four ISO registered manufacturing facilities and technical sales offices worldwide, Carling Technologies Sales, Service and Engineering teams do much more than manufacture electrical components, they engineer powerful solutions! To learn more about Carling please visit [www.carlingtech.com/company-profile](http://www.carlingtech.com/company-profile).

To view all of Carling's environmental, quality, health & safety certifications please visit [www.carlingtech.com/environmental-certifications](http://www.carlingtech.com/environmental-certifications)

## **Worldwide Headquarters**

Carling Technologies, Inc.  
60 Johnson Avenue, Plainville, CT 06062  
**Phone:** 860.793.9281 **Fax:** 860.793.9231  
**Email:** sales@carlingtech.com

**Northern Region Sales Office:** nrsm@carlingtech.com  
**Southeast Region Sales Office:** sersm@carlingtech.com  
**Midwest Region Sales Office:** mrrsm@carlingtech.com  
**West Region Sales Office:** wrsm@carlingtech.com  
**Latin America Sales Office:** larsm@carlingtech.com

## **Asia-Pacific Headquarters**

Carling Technologies, Asia-Pacific Ltd.,  
Suite 1607, 16/F Tower 2, The Gateway,  
Harbour City, 25 Canton Road,  
Tsimshatsui, Kowloon, Hong Kong  
**Phone:** Int + 852-2737-2277 **Fax:** Int + 852-2736-9332  
**Email:** sales@carlingtech.com.hk

**Shenzhen, China:** shenzhen@carlingtech.com  
**Shanghai, China:** shanghai@carlingtech.com  
**Pune, India:** india@carlingtech.com  
**Kaohsiung, Taiwan:** taiwan@carlingtech.com  
**Yokohama, Japan:** japan@carlingtech.com

## **Europe | Middle East | Africa Headquarters**

Carling Technologies LTD  
4 Airport Business Park, Exeter Airport,  
Clyst Honiton, Exeter, Devon, EX5 2UL, UK  
**Phone:** Int + 44 1392.364422 **Fax:** Int + 44 1392.364477  
**Email:** ltd.sales@carlingtech.com

**Germany:** gmbh@carlingtech.com  
**France:** sas@carlingtech.com



**Carling Technologies®**

Innovative Designs. Powerful Solutions.

# Mouser Electronics

Authorized Distributor

Click to View Pricing, Inventory, Delivery & Lifecycle Information:

## [Carling Technologies:](#)

[LTA201-TR-B/250N](#) [LTA201-TA-B/125N](#) [LTA201-TR-B/125N](#) [LTA201-TA-B/250N](#) [LTA201-TR-B/12V](#) [LTA201-TA-](#)  
[B/12V](#) [LTA201-TG-B/12V](#) [LTA201-TR-B/24V](#) [LTA211-PW-B-R/125N](#) [LTA221-TR-B/18V-XAB1](#) [LTA221-TA-B125N](#)