

■ABSOLUTE MAXIMUM RATINGS

(Ta=25°C)

Parameter	Symbols	Ratings	Unit
Supply Voltage	V _{CC}	-0.3 to 5.0	V
Power Dissipation	P _D	250 (SSOP-10)	mW
Operating Temperature Range	Topr	-40 to +85	°C
Storage Temperature Range	Tstg	-55 to +125	°C

■ELECTRICAL CHARACTERISTICS

(Ta=25°C)

Parameter	Symbol	Conditions	MIN.	TYP.	MAX.	Unit
Supply Voltage	V _{CC}	-	3.0	3.3	3.6	V
Operating Current	I _{CC}	F _{OUT} =622MHz	40	50	60	mA
Power Consumption	P _D	F _{OUT} =622MHz	120	165	216	mW
Maximum VC Range	V _{CONTH}	-	V _{CC} -0.3	V _{CC}	V _{CC} +0.3	V
Minimum VC Range	V _{CONTL}	-	-0.3	0	0.3	V

■REFERENTIAL DATA

(V_{CC}=V_{OSC}=3.3V, Ta=25°C)

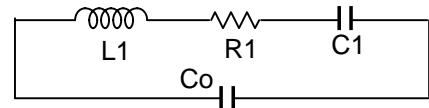
Parameter	Symbol	Conditions	Min.	Typ.	Max.	Unit
Output Frequency	F _{OUT}	Min.: 120MHz crystal Typ.: 155.5MHz crystal Max.: 160MHz crystal	480	622	640	MHz
Frequency Pull Range	F _{CONT}	Note 1)	±90	±100	±120	ppm
Output Level	P _{OUT}	50 ohm load	-1.5	1.5	4.5	dBm
Lower & Higher Harmonics D/U Ratio	FDU	50 ohm load Note 2)	-20	-25	-	dBc
Symmetry	SYM	50 ohm load	45	50	55	%
Jitter	JITTER	50 ohm load	5	9	16	ps rms

Note 1) Frequency Pull Range is determined by using 155.5MHz quartz crystal.

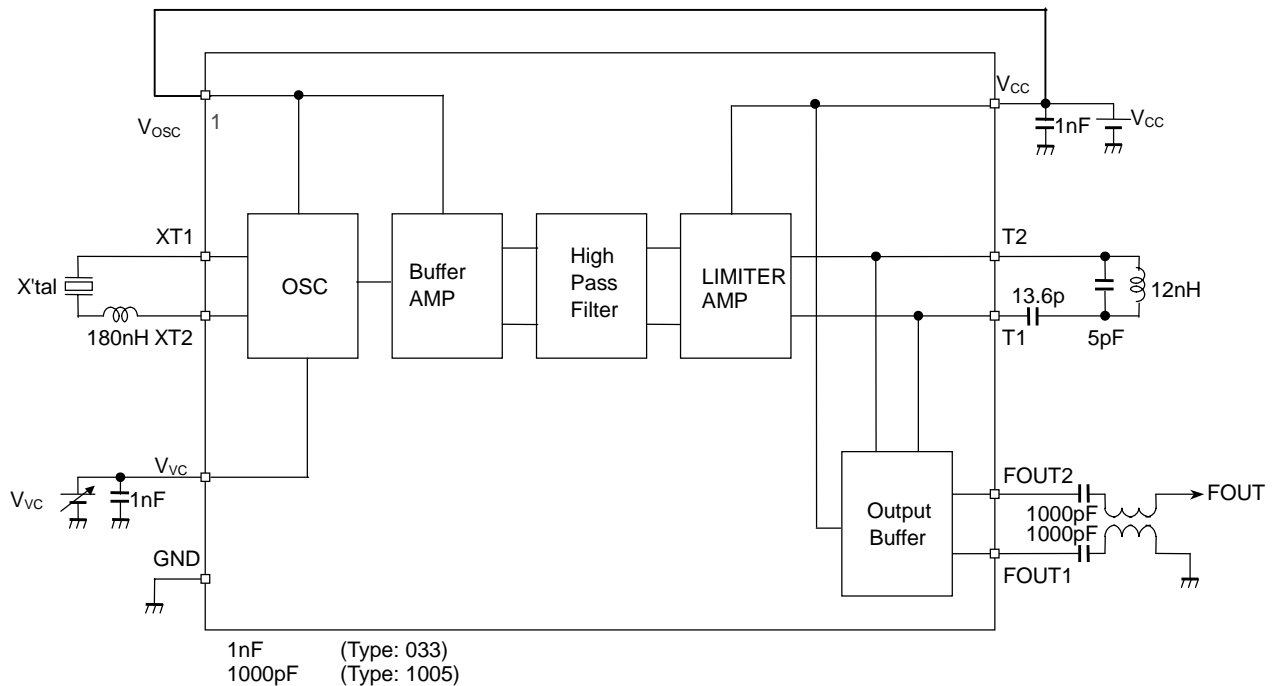
The parameters are as follows;

L1=0.135mH, R1=15.22Ω, C1=7.72fF, Co=2.3pF

Note 2) Tunable Filters are connected at T1 & T2 terminals.



■TEST CIRCUIT & BLOCK DIAGRAM



■ TERMINAL INFORMATION

No.	Symbol	Equivalent Circuit	Comment
2, 3, and 4	XT1, XT2, and V _{VC}		
6, 7,	F _{OUT1} , F _{OUT2} ,		
8, 9,	T1, T2,		

[CAUTION]
 The specifications on this data book are only given for information, without any guarantee as regards either mistakes or omissions. The application circuits in this data book are described only to show representative usages of the product and not intended for the guarantee or permission of any right including the industrial rights.

Mouser Electronics

Authorized Distributor

Click to View Pricing, Inventory, Delivery & Lifecycle Information:

[NJR:](#)

[NJM2555V-TE1](#) [NJM2555C-C](#)