

THIS DRAWING IS UNPUBLISHED.

RELEASED FOR PUBLICATION

ALL RIGHTS RESERVED.

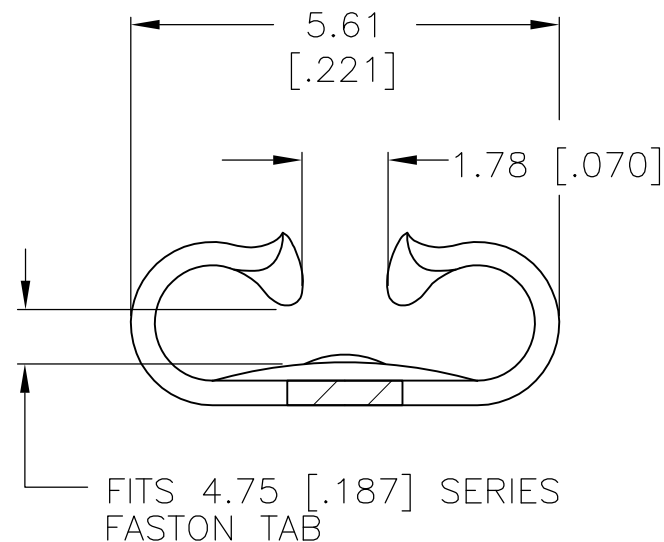
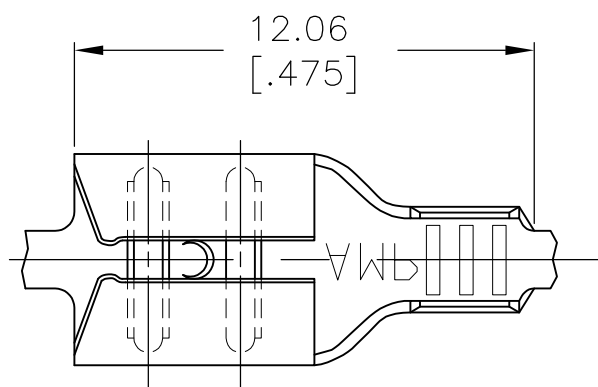
© COPYRIGHT - By -

LOC AF DIST 50

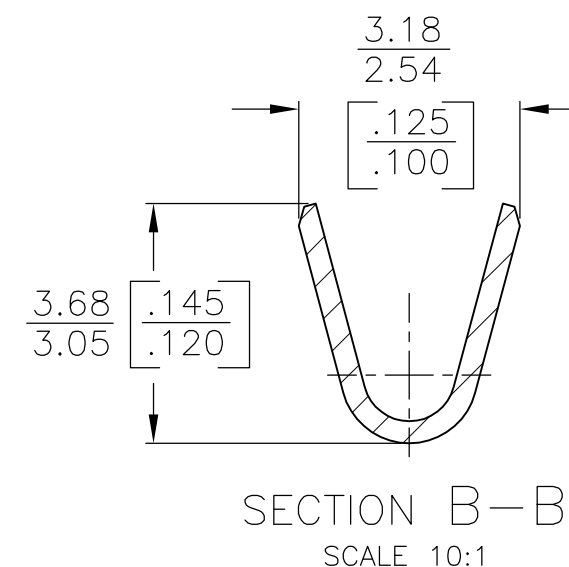
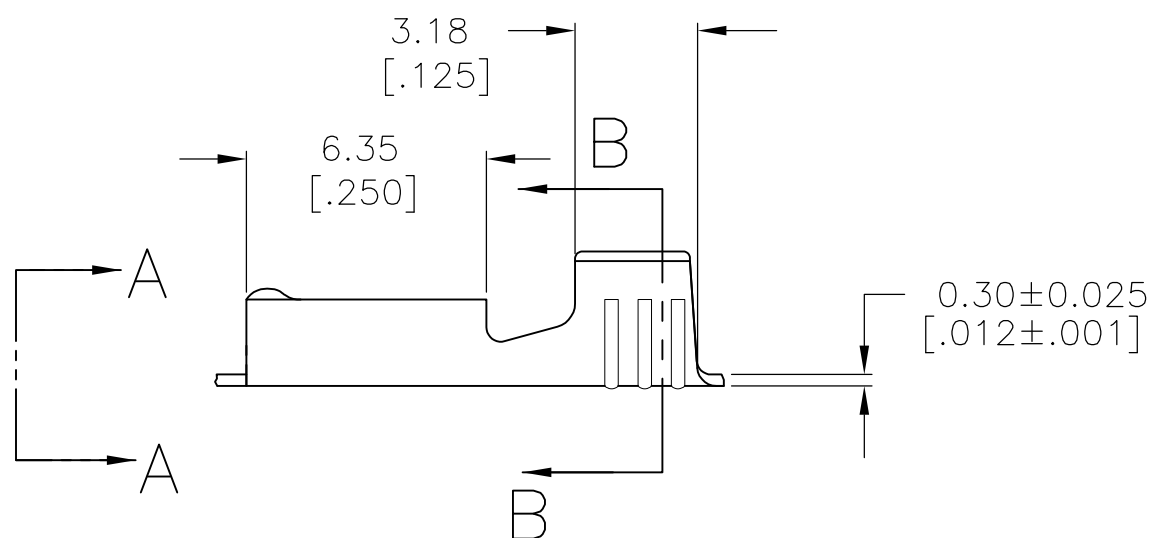
REVISIONS

P	LTR	DESCRIPTION	DATE	DWN	APVD
	F	REVISED PER ECR-12-013445	18OCT12	KH	PD

1 CONTINUOUS STRIP ON REELS



VIEW A-A
SCALE 10:1



SECTION B-B
SCALE 10:1

TIN	0.5-1.3mm ²	0.51	42799-2
-	[20-16] AWG	[.020]	42799-1
FINISH	WIRE SIZE	MATING TAB THK ±0.025 [.001]	PART NO

THIS DRAWING IS A CONTROLLED DOCUMENT.

DIMENSIONS: mm [INCHES]	TOLERANCES UNLESS OTHERWISE SPECIFIED:
	0 PLC ± -
	1 PLC ± -
	2 PLC ± 0.38 [.015]
	3 PLC ± -
	4 PLC ± -
	ANGLES ± -
MATERIAL BRASS	FINISH SEE TABLE

DWN	JR RUTH	8/27/91
CHK	P FORTNEY	8/27/91
APVD	C MEYERS	8/27/91
PRODUCT SPEC	-	-
APPLICATION SPEC	-	-
WEIGHT	-	-

STE TE Connectivity			
RECEPTACLE, FASTON, TM 4.75 [.187] SERIES			
SIZE	CAGE CODE	DRAWING NO	RESTRICTED TO
A3	00779	C-42799	-
CUSTOMER DRAWING		SCALE 5:1	SHEET 1 OF 1 REV F