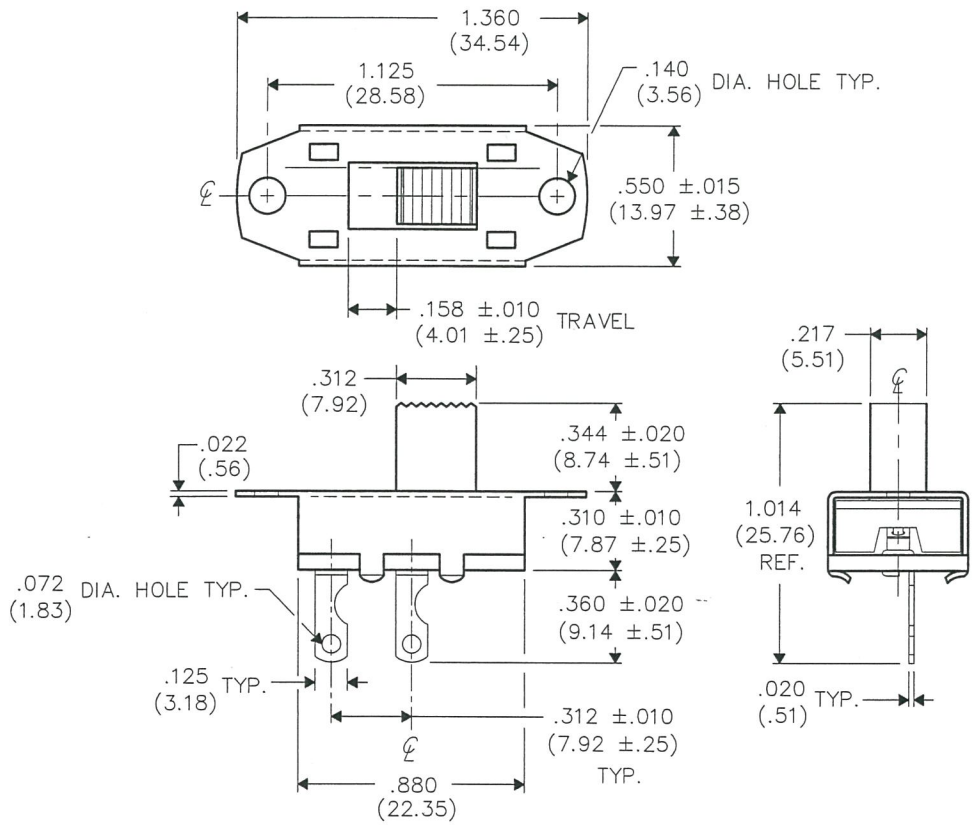


THIS INFORMATION IS CONFIDENTIAL AND PROPRIETARY TO CW INDUSTRIES INCORPORATED AND ITS AFFILIATES. IT MAY NOT BE DISCLOSED TO ANYONE, OTHER THAN CW INDUSTRIES PERSONNEL, WITHOUT WRITTEN AUTHORIZATION FROM CW INDUSTRIES INCORPORATED, SOUTHAMPTON, PENNSYLVANIA USA.

DIMENSIONS IN INCHES (MILLIMETERS) Dwg. No.
 DO NOT SCALE DRAWING GF-1123-0000



ELECTRICAL RATING:
 11A A.C. .5A D.C. 125V.
 5.5A(H) 250 V.A.C.
UL & CSA LISTING

1	2	3	4	5	6	7	8	9	10
REVISIONS 0 RELEASED: DGW 11-15-13 NOV 15 2013							CW INDUSTRIES Southampton, Pa. 18966 <small>TOLERANCES UNLESS OTHERWISE SPECIFIED</small> 2 Place Decimal ±.010 METRIC 3 Place Decimal ±.005 1 Place Dec. ±.25mm Angles ±1' 2 Place Dec. ±.13mm		Title: STANDARD SILDE SWITCH S.P.- S.T.
Made for: CW IND.							Division: SWITCH		
Drawn by: DGW 11-15-13							Dwg. No. GF-1123-0000		
Checked by: G. Guld 11-15-13							Approval: G. Guld 11-15-13		

MASTER

Mouser Electronics

Authorized Distributor

Click to View Pricing, Inventory, Delivery & Lifecycle Information:

[CW Industries:](#)

[GF-1123-0009](#)