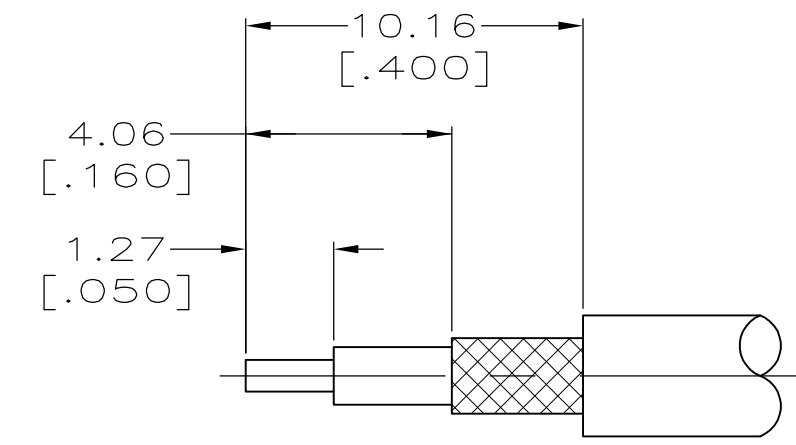
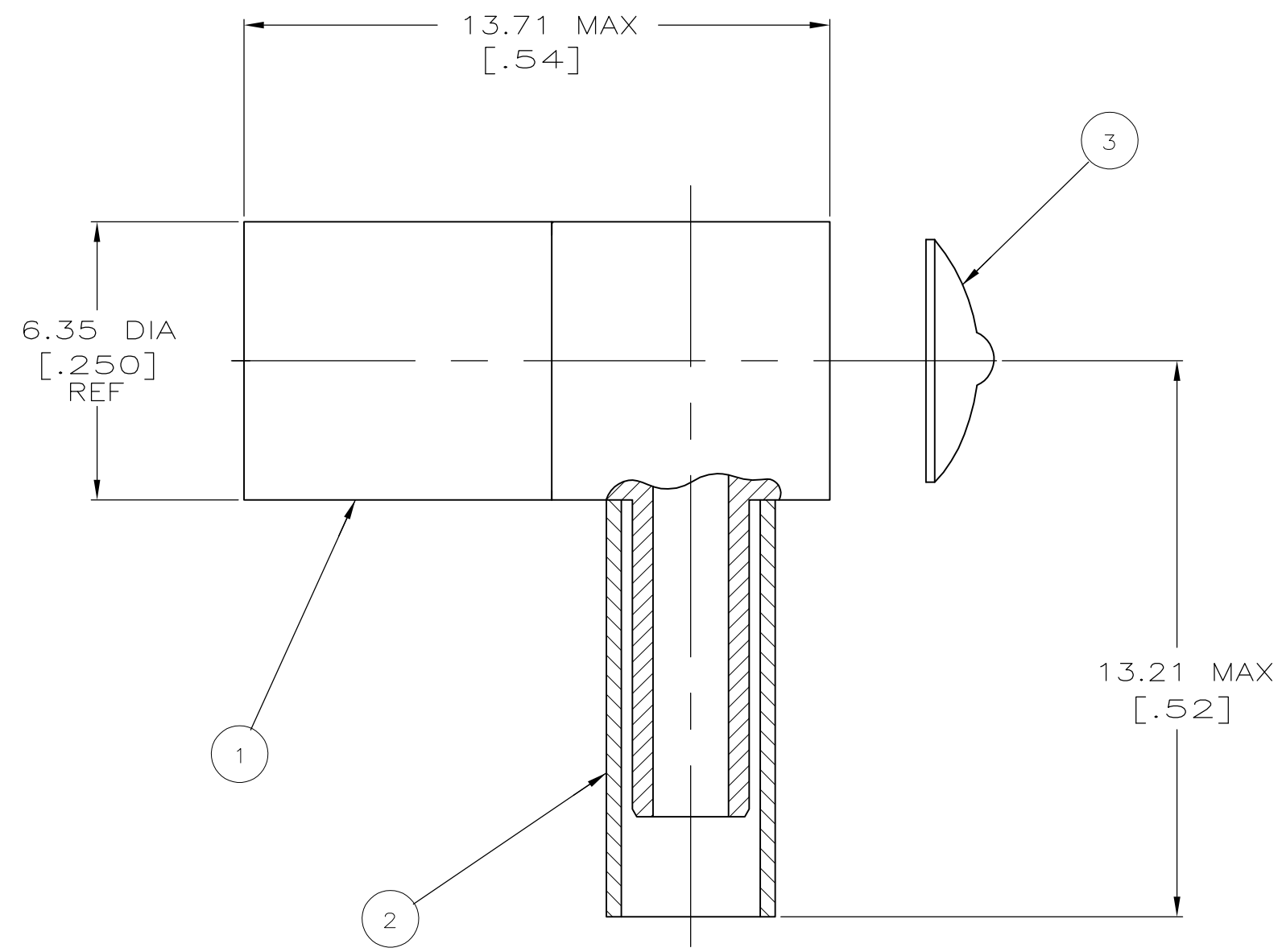


THIS DRAWING IS UNPUBLISHED. RELEASED FOR PUBLICATION ALL RIGHTS RESERVED. COPYRIGHT 2005 By -

P	LTR	DESCRIPTION	DATE	DWN	APVD
L2		REVISED PER ECO-11-005030	11MAR11	RK	HMR



RECOMMENDED STRIP LENGTHS
SCALE NTS

- 1. INTERFACE PER MIL-C-39012.
- 2. SEE INSTRUCTION SHEET 408-2987-9.
- 3. USES SCREW MACHINED CONTACT.
- 4. OBSOLETE PARTS: OBSOLETE CIS STREAMLINING PER D.RENAUD/D.SINISI

OBSOLETE	C	58483-1	.151	HX4-1637	414013-3	1-413889-4	414364-6	RG 174,188,316(ALL DBL SHIELDED)	3 1-414363-4
OBSOLETE	C	58483-1	.151	HX4-1637	414013-3	1-413889-4	414364-1	RG 174,188,316(ALL DBL SHIELDED)	1-414363-2
4 OBSOLETE	C	58483-1	.151	HX4-1637	414013-3	1-413889-4	414364-1	RG 174,188,316(ALL DBL SHIELDED)	1-414363-1
OBSOLETE	A	58483-1	.105	HX4-1637	414013-3	1-413889-5	414364-4	RG 178,196	414363-9
	A	58483-1	.105	HX4-1637	414013-3	1-413889-5	414364-3	RG 178,196	414363-8
OBSOLETE	C	58483-1	.151	HX4-1637	414013-3	1-413889-4	414364-2	RG 174,188,316(ALL DBL SHIELDED)	414363-6
	B	58483-1	.128	HX4-1637	414013-3	1-413889-3	414364-2	RG 174,188,316	414363-5
	C	58483-1	.151	HX4-1637	414013-3	1-413889-4	414364-1	RG 174,188,316(ALL DBL SHIELDED)	414363-4
	B	58483-1	.128	HX4-1637	414013-3	1-413889-3	414364-1	RG 174,188,316	414363-3
	POSITION LETTER	AMP DIE SET	HEX SIZE	DANIELS DIE SET	3 END CAP QTY=1	2 FERRULE QTY=1	1 PLUG ASSY QTY=1	CABLE	PART NO
		PRO-CRIMPER FOR BRAID CRIMP	M 22520/5-01 FOR BRAID CRIMP						

TOOLING INFORMATION

THIS DRAWING IS A CONTROLLED DOCUMENT.

DIMENSIONS: MM [INCHES]	TOLERANCES UNLESS OTHERWISE SPECIFIED:	DWN B. MOYER 19JUN92	TE Connectivity																				
<table border="1"> <tr><td>0 PLC</td><td>± -</td></tr> <tr><td>1 PLC</td><td>± -</td></tr> <tr><td>2 PLC</td><td>± 0.25 [.010]</td></tr> <tr><td>3 PLC</td><td>± 0.130 [.005]</td></tr> <tr><td>4 PLC</td><td>± -</td></tr> </table>	0 PLC	± -		1 PLC	± -	2 PLC	± 0.25 [.010]	3 PLC	± 0.130 [.005]	4 PLC	± -	<table border="1"> <tr><td>ANGLES</td><td>± -</td></tr> <tr><td>FINISH</td><td>-</td></tr> </table>	ANGLES	± -	FINISH	-	<table border="1"> <tr><td>CHK J. FLANAGAN 25JUN92</td><td>APVD -</td></tr> <tr><td>PRODUCT SPEC</td><td>-</td></tr> <tr><td>APPLICATION SPEC</td><td>-</td></tr> </table>	CHK J. FLANAGAN 25JUN92	APVD -	PRODUCT SPEC	-	APPLICATION SPEC	-
0 PLC	± -																						
1 PLC	± -																						
2 PLC	± 0.25 [.010]																						
3 PLC	± 0.130 [.005]																						
4 PLC	± -																						
ANGLES	± -																						
FINISH	-																						
CHK J. FLANAGAN 25JUN92	APVD -																						
PRODUCT SPEC	-																						
APPLICATION SPEC	-																						
MATERIAL	FINISH	WEIGHT	SIZE A2	CAGE CODE 00779	DRAWING NO C-414363	RESTRICTED TO																	
CUSTOMER DRAWING			SCALE 8:1	SHEET 1 OF 1	REV L2																		

Mouser Electronics

Authorized Distributor

Click to View Pricing, Inventory, Delivery & Lifecycle Information:

[TE Connectivity:](#)

[414363-3](#)