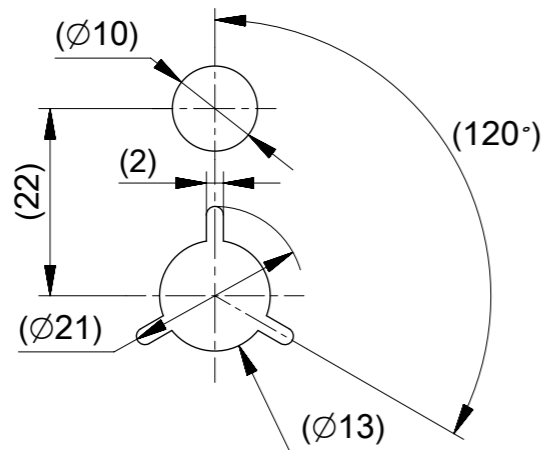


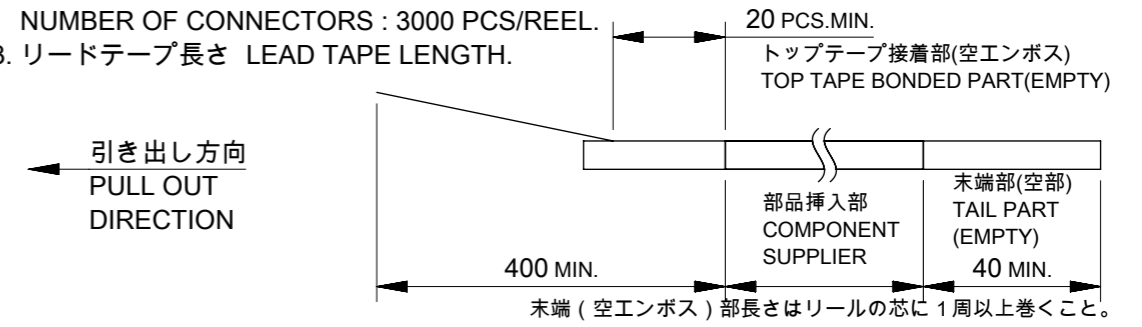
DETAIL 'D'



DETAIL "D"

NOTES

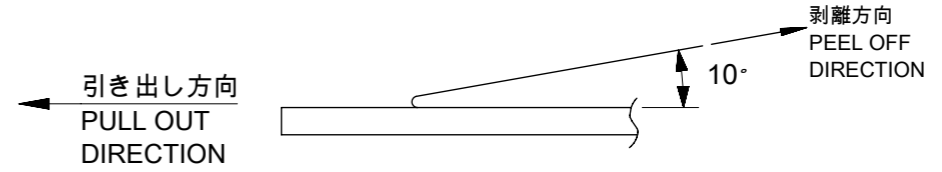
- 製品詳細寸法については製品単体図面を参照下さい。
DETAIL DIMENSION, SEE PRODUCT DRAWING.
- 梱包数量 : 3000個 / リール
NUMBER OF CONNECTORS : 3000 PCS/REEL.
- リードテープ長さ LEAD TAPE LENGTH.



- トップテープの剥離強度 : 0.1N~1.3N(10gf~130gf)

(剥離方向は下図参照)

尚、本規格値は出荷時に適用。(但し、輸送時に剥離が発生しないこと。)
PEELING OFF FORCE OF TOP TAPE : 0.1N~1.3N(10gf~130gf)
(PEELING DIRECTION AS SHOWN IN FOLLOWING FIG.)
THIS REQUIREMENT SHOULD BE APPLIED AT SHIPMENT.
PEEL OFF SHOULD NOT BE ALLOWED , DURING TRANSPORTATION.



- 材料 MATERIAL

キャリアテープ (CARRIER TAPE) : ポリスチレン (POLYSTYRENE)
トップテープ (TOP TAPE) : PET , OTHER
リール (REEL) : ポリスチレン (PS) [リサイクル材を含む]

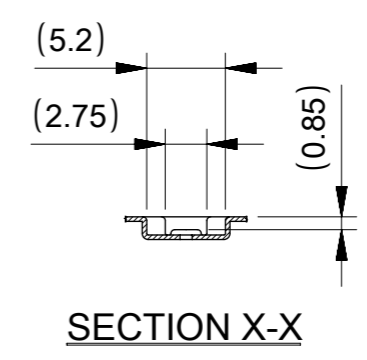
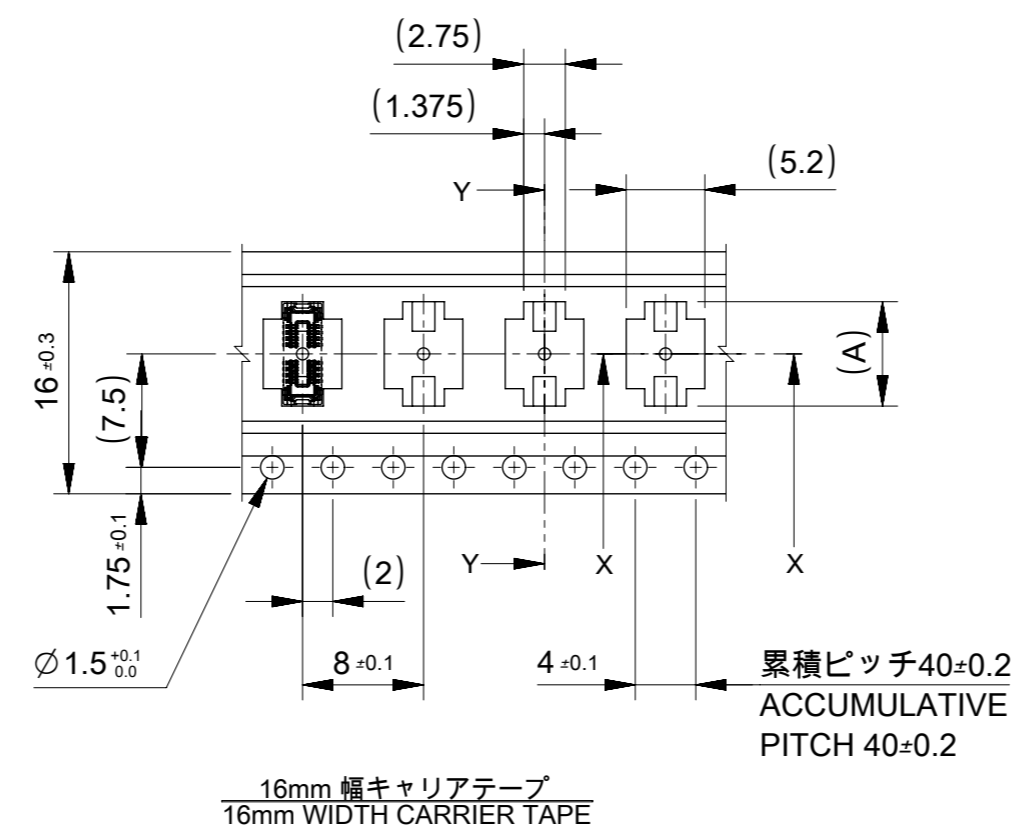
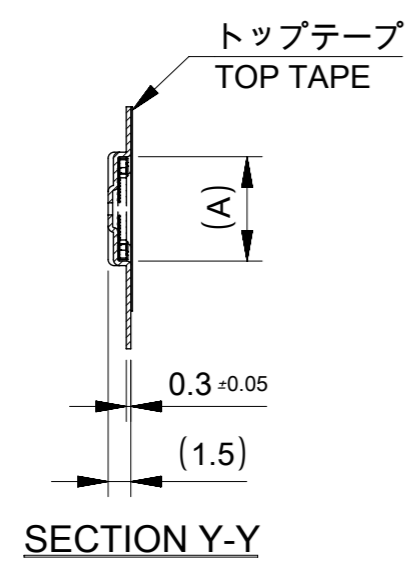
MODEL NO. : 503548**80

THIS DRAWING CONTAINS INFORMATION THAT IS PROPRIETARY TO MOLEX ELECTRONIC TECHNOLOGIES, LLC AND SHOULD NOT BE USED WITHOUT WRITTEN PERMISSION											
EC NO: 118757 DRWN: TMIYAZAKI CHK'D: KTAKAHASHI REV APPR: MSASAO	GENERAL TOLERANCES (UNLESS SPECIFIED)				DIMENSION UNITS	SCALE	<p>0.4 B-TO-B CONN. HGT=0.7 HI-RETENTION REC ASSY CHECKER TYPE EMBSTP PKG</p> <p>PRODUCT CUSTOMER DRAWING</p>				
	ANGULAR TOL ± °				MM	1:1					
	4 PLACES	±			DRWN BY	DATE					
	3 PLACES	±			TMIYAZAKI	2017/05/25					
	2 PLACES	±			CHK'D BY	DATE					
	1 PLACE	±			KTAKAHASHI	2017/06/08					
0 PLACES	±			APPR BY	DATE	SERIES MATERIAL NUMBER CUSTOMER					
DRAFT WHERE APPLICABLE MUST REMAIN WITHIN DIMENSIONS					MSASAO	2017/06/09	503548	SEE SHEET 2	GENERAL		
				DRAWING SIZE	THIRD ANGLE PROJECTION		DOCUMENT NUMBER		DOC TYPE	DOC PART	SHEET NUMBER
				A3			5035480000		PSD	001	1 OF 2

THIS DOCUMENT HAS BEEN RE-ISSUED BASED ON SD-503548-008, REV 0

RELEASE STATUS P1 RELEASE DATE 30.06.2017 07:10:58

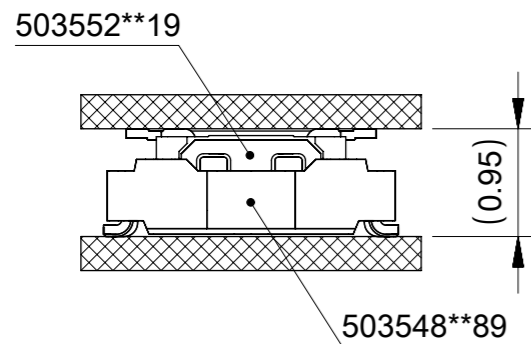
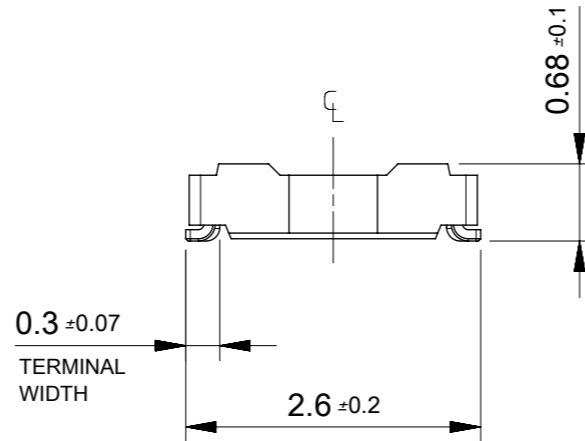
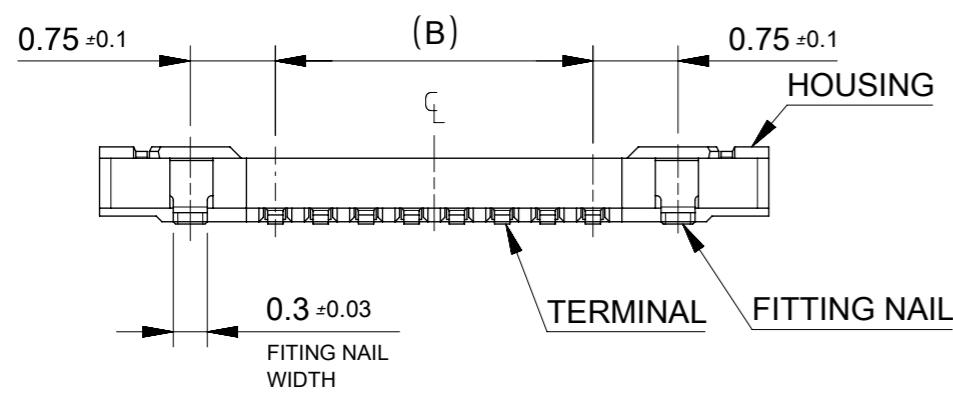
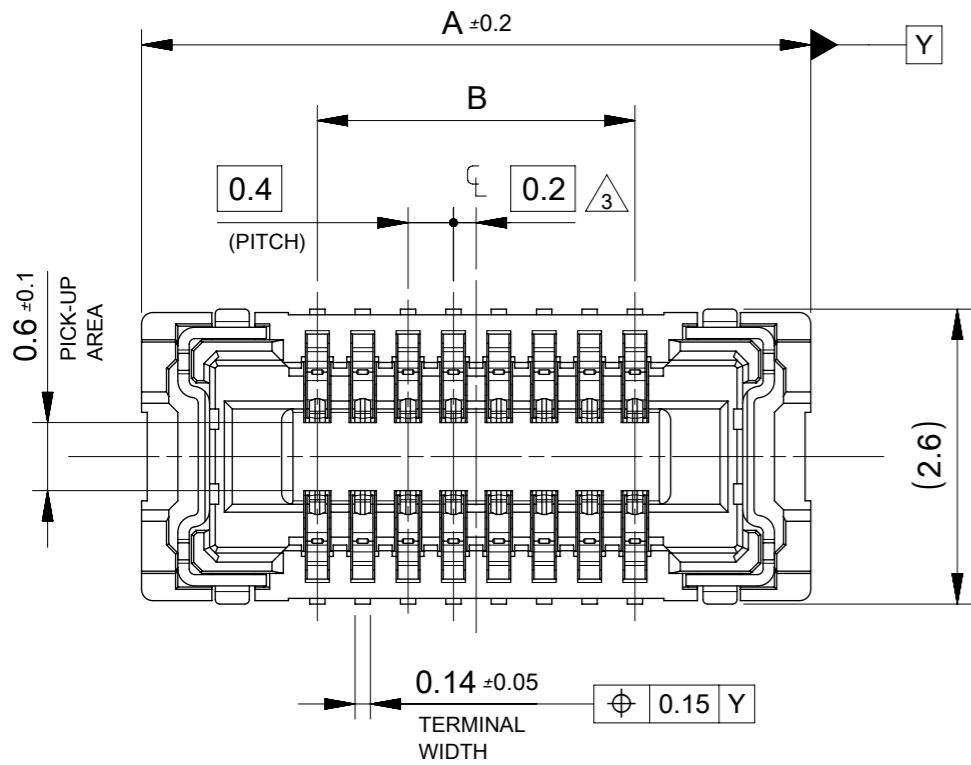
引き出し方向
PULL OUT DIRECTION



16	21.4	17.4	6.5	5035481880	18
			6.1	5035481680	16
			5.7	5035481480	14
			5.3	5035481280	12
			4.1	5035480680	6
キャリアテープ幅 CARRIER TAPE WIDTH			C	B	(A)
			MATERIAL No.		CKT
			MODEL No. : 503548**80		

THIS DRAWING CONTAINS INFORMATION THAT IS PROPRIETARY TO MOLEX ELECTRONIC TECHNOLOGIES, LLC AND SHOULD NOT BE USED WITHOUT WRITTEN PERMISSION

EC NO: 118757 DRWN: TMIYAZAKI CHK'D: KTAKAHASHI APPR: MSASAO 2017/06/29 2017/06/29 2017/06/30	GENERAL TOLERANCES (UNLESS SPECIFIED)		DIMENSION UNITS	SCALE	
	ANGULAR TOL ± °		MM	1:1	
	4 PLACES ±		DRWN BY	DATE	
	3 PLACES ±		TMIYAZAKI	2017/05/25	
	2 PLACES ±		CHK'D BY	DATE	
	1 PLACE ±		KTAKAHASHI	2017/06/08	
0 PLACES ±		APPR BY	DATE		
DRAFT WHERE APPLICABLE MUST REMAIN WITHIN DIMENSIONS		MSASAO	2017/06/09	PRODUCT CUSTOMER DRAWING	
		DRAWING SIZE	THIRD ANGLE PROJECTION	SERIES	MATERIAL NUMBER
		A3		503548	SEE CAHRT
				CUSTOMER	GENERAL
				DOCUMENT NUMBER	DOC TYPE
				5035480000	PSD
				DOC PART	SHEET NUMBER
				001	2 OF 2



MATED DRAWING
(REFERENCE)

注記 NOTES

1. 使用材料 MATERIAL
 ハウジング : 液晶ポリマー (LCP) UL94V-0 (黒)
 HOUSING: LIQUID CRYSTAL POLYMER UL94V-0 (COLOR:BLACK)
 ターミナル : 銅合金
 TERMINAL : COPPER ALLOY
 金具 : 銅合金
 FITTING NAIL : COPPER ALLOY
 2. メッキ仕様 PLATING
 ターミナル TERMINAL
 金メッキ GOLD
 下地メッキ : ニッケルメッキ
 UNDER PLATING : NICKEL
 ※コンタクト部とテール部はニッケルメッキによって分断されている金メッキです。
 DIVIDE INTO PARTS THE GOLD PLATING OF THE CONTACT AND THE TAIL PART BY THE NICKEL PLATING.
 - 金具 FITTING NAIL
 金メッキ (テール部のみ)
 GOLD (ONLY TAIL PART)
 下地メッキ : ニッケルメッキ
 UNDER PLATING : NICKEL
- △₃ (全極数 / 2) = 偶数の場合に適用。
 APPLY FOR (CIRCUIT/2)=EVEN.
4. 嵌合相手 : 503552 シリーズ
 MATE WITH : 503552 SERIES.
 5. テール平坦度は、0.08 以下
 テール及び金具の平坦度は、0.1 以下
 TAIL COPLANARITY TO BE 0.08MAXIMUM.
 TAIL AND FITTING NAIL COPLANARITY TO BE 0.1MAXIMUM.

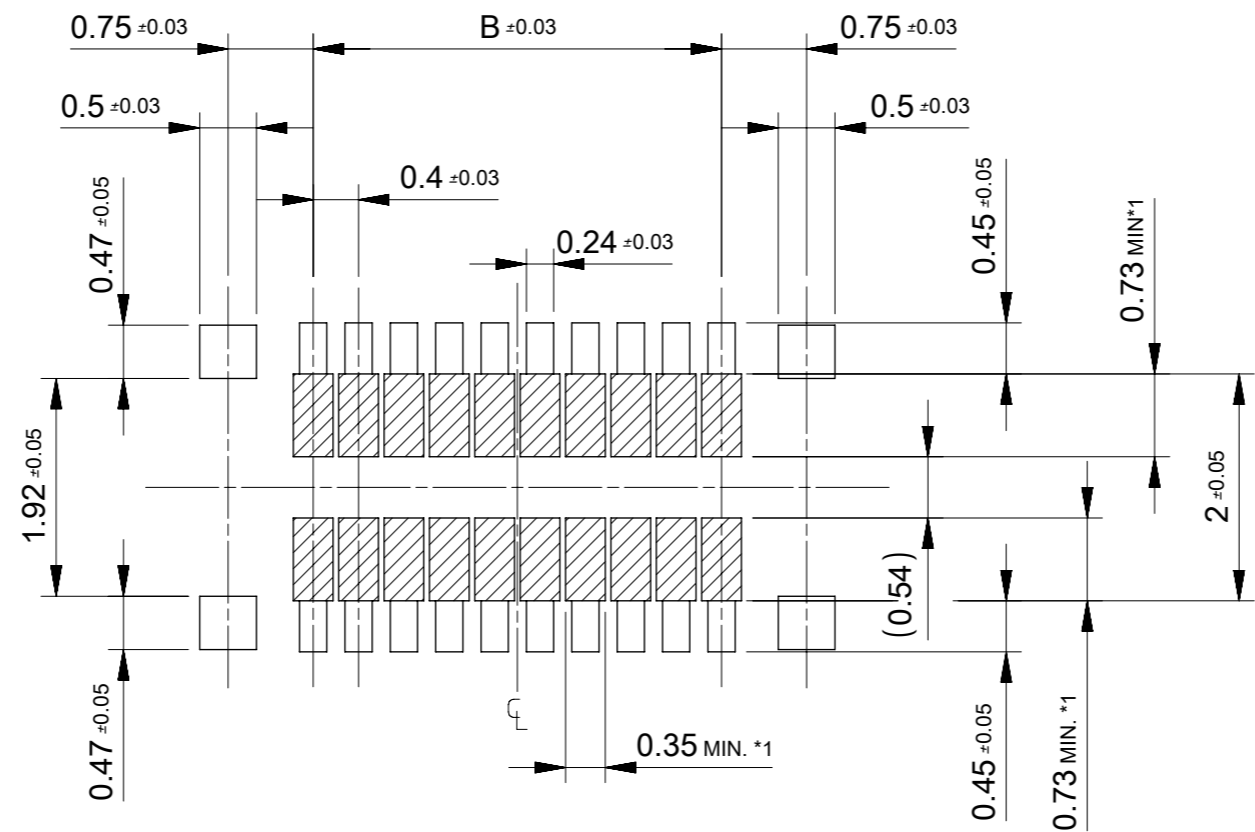
3.2±0.2	6.3	5035481880	18
2.8±0.2	5.9	5035481680	16
2.4±0.2	5.5	5035481480	14
2.0±0.2	5.1	5035481280	12
0.8±0.1	3.9	5035480680	6
B	A	EMBOSSED PACKAGE オーダー番号 ORDER No.	極数 CIRCUITS
CONNECTOR SERIES No. : 503548**89			

THIS DRAWING CONTAINS INFORMATION THAT IS PROPRIETARY TO MOLEX ELECTRONIC TECHNOLOGIES, LLC AND SHOULD NOT BE USED WITHOUT WRITTEN PERMISSION

EC NO: 118757 DRWN: TMIYAZAKI CHK'D: KTAKAHASHI APPR: MSASAO	2017/06/29	2017/06/29	2017/06/30	GENERAL TOLERANCES (UNLESS SPECIFIED)	DIMENSION UNITS	SCALE			
	4 PLACES ±	3 PLACES ±	2 PLACES ±		MM	15:1			
	1 PLACE ±	0 PLACES ±	ANGULAR TOL ± 1.0 °		DRWN BY	DATE		TMIYAZAKI 2017/05/25	
	DRAFT WHERE APPLICABLE MUST REMAIN WITHIN DIMENSIONS				CHK'D BY	DATE		KTAKAHASHI 2017/06/08	
REV	B				APPR BY	DATE	MSASAO 2017/06/09		
				DRAWING SIZE	THIRD ANGLE PROJECTION	PRODUCT CUSTOMER DRAWING			
				A3		SERIES	MATERIAL NUMBER	CUSTOMER	
						503548	SEE CHART	GENERAL	
						DOCUMENT NUMBER	DOC TYPE	DOC PART	SHEET NUMBER
						5035481000	PSD	003	1 OF 2

THIS DOCUMENT HAS BEEN RE-ISSUED BASED ON SD-503548-007, REV 0

RELEASE STATUS	P1	RELEASE DATE	30.06.2017	07:11:01
----------------	----	--------------	------------	----------



**RECOMMENDED P.W. BOARD
PATTERN LAYOUT**

- *1 パターン引き回し、および半田禁止エリア
(当該箇所においては、これと接する回路以外の配線を禁止する。
また、接する回路を配線する場合はレジストを施し、この部分に
半田は無きこととする。)
- *1 PROHIBITED AREA OF PATTERN WIRING AND SOLDER.
(FOR EACH AREA, THE WIRING THAT TOUCHES ON THE SOLDER
CAN BE ATTACHED, THEN COVERED WITH A FILM TO KEEP SOLDER OUT.)

THIS DRAWING CONTAINS INFORMATION THAT IS PROPRIETARY TO MOLEX ELECTRONIC TECHNOLOGIES, LLC AND SHOULD NOT BE USED WITHOUT WRITTEN PERMISSION									
EC NO: 118757 DRWN: TMIYAZAKI CHK'D: KTAKAHASHI APPR: MSASAO	2017/06/29	2017/06/29	2017/06/30	GENERAL TOLERANCES (UNLESS SPECIFIED) ANGULAR TOL ± 1.0 ° 4 PLACES ± 3 PLACES ± 2 PLACES ± 1 PLACE ± 0 PLACES ±	DIMENSION UNITS	SCALE			
					MM	15:1			
					DRWN BY	DATE	0.4 B-TO-B CONN. HGT=0.7 W=2.6 HI-RETENTION REC ASSY CHECKER TYPE		
					TMIYAZAKI	2017/05/25			
					CHK'D BY	DATE	PRODUCT CUSTOMER DRAWING		
			KTAKAHASHI	2017/06/08					
			APPR BY	DATE	SERIES MATERIAL NUMBER CUSTOMER 503548 SEE SHEET 1 GENERAL				
			MSASAO	2017/06/09					
			DRAWING SIZE	THIRD ANGLE PROJECTION	DOCUMENT NUMBER DOC TYPE DOC PART SHEET NUMBER 5035481000 PSD 003 2 OF 2				
			A3						
			DRAFT WHERE APPLICABLE MUST REMAIN WITHIN DIMENSIONS						