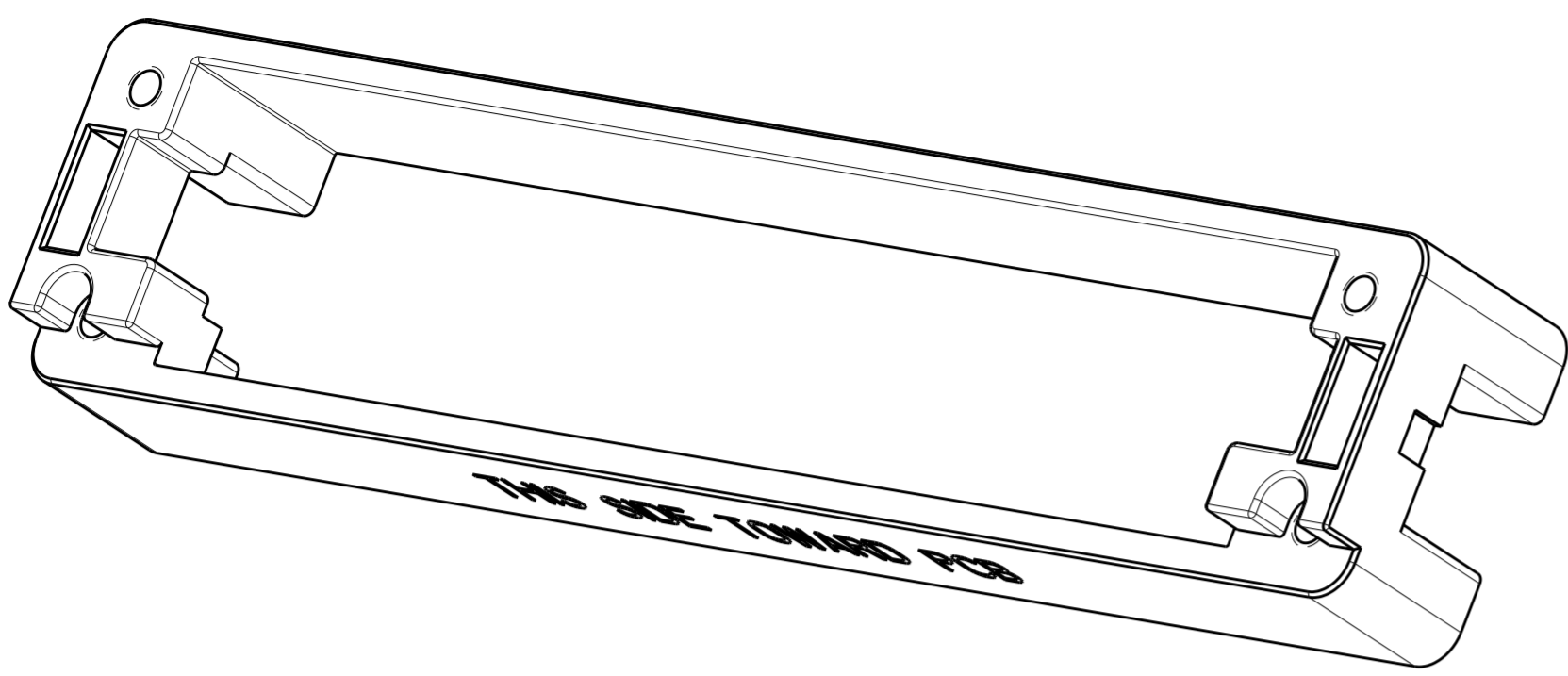


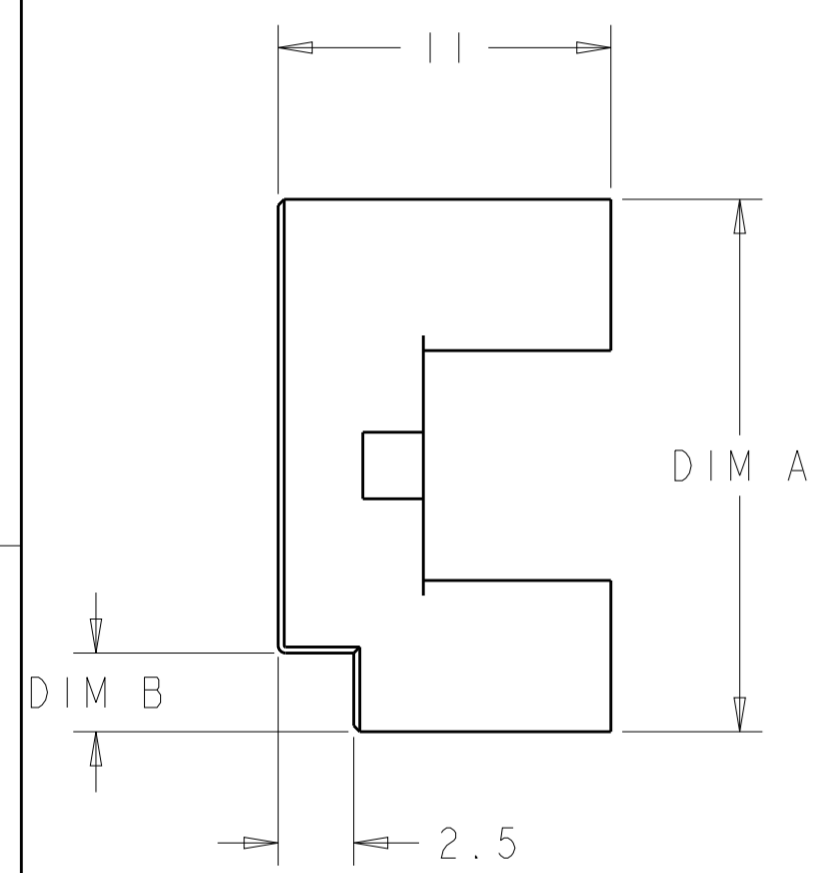
THIS DRAWING IS UNPUBLISHED. RELEASED FOR PUBLICATION 20
 © COPYRIGHT 20 ALL RIGHTS RESERVED.

LOC	DIST	REVISIONS					
GP	00	P	LTR	DESCRIPTION	DATE	DWN	APVD
		1		ORIGINAL	18OCT2011	BMM	MRS
		2		ADD -2	14JUL2016	PP	SH

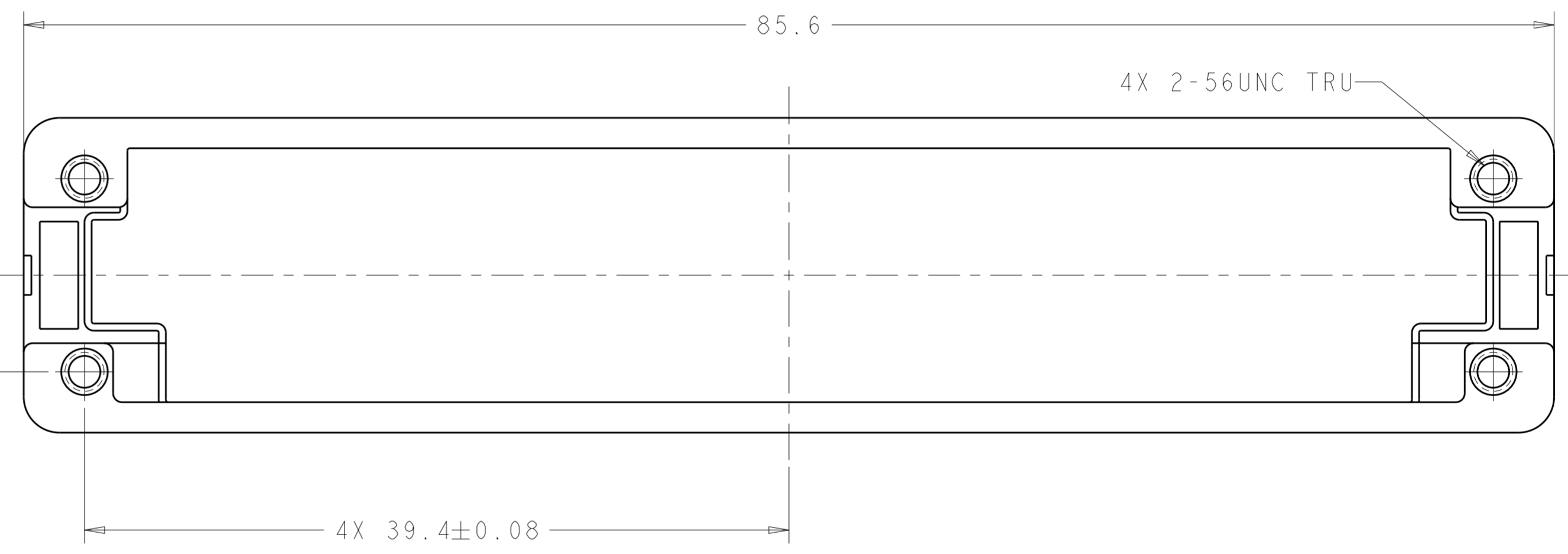


REAR ISOMETRIC VIEW
SCALE 3:1

- ① ZINC ALLOY PER ASTM B 86. ALLOY AG40A.
- ② 1.27µm MIN NICKEL PLATE PER QQ-N-290 OVER 5.08µm MIN COPPER PLATE PER AMS 2418.
- ③ TEXT INDICATES THIS SURFACE OF THE PART IS TO FACE TOWARD PCB.



4X 5.4±0.08



③

2.20	16.80	2057928-6
2.60	17.60	2057928-3
DIM B	DIM A	PART NUMBER

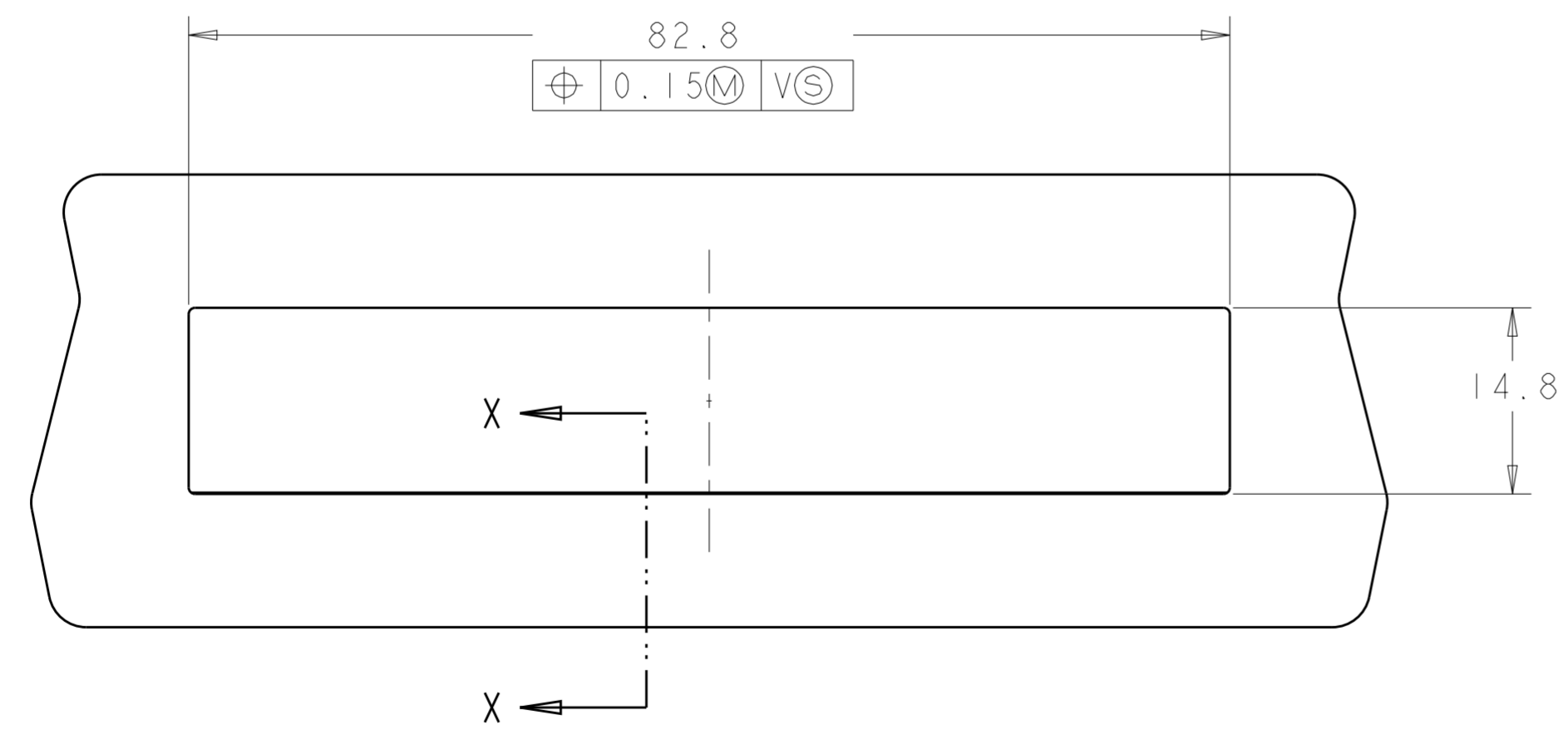
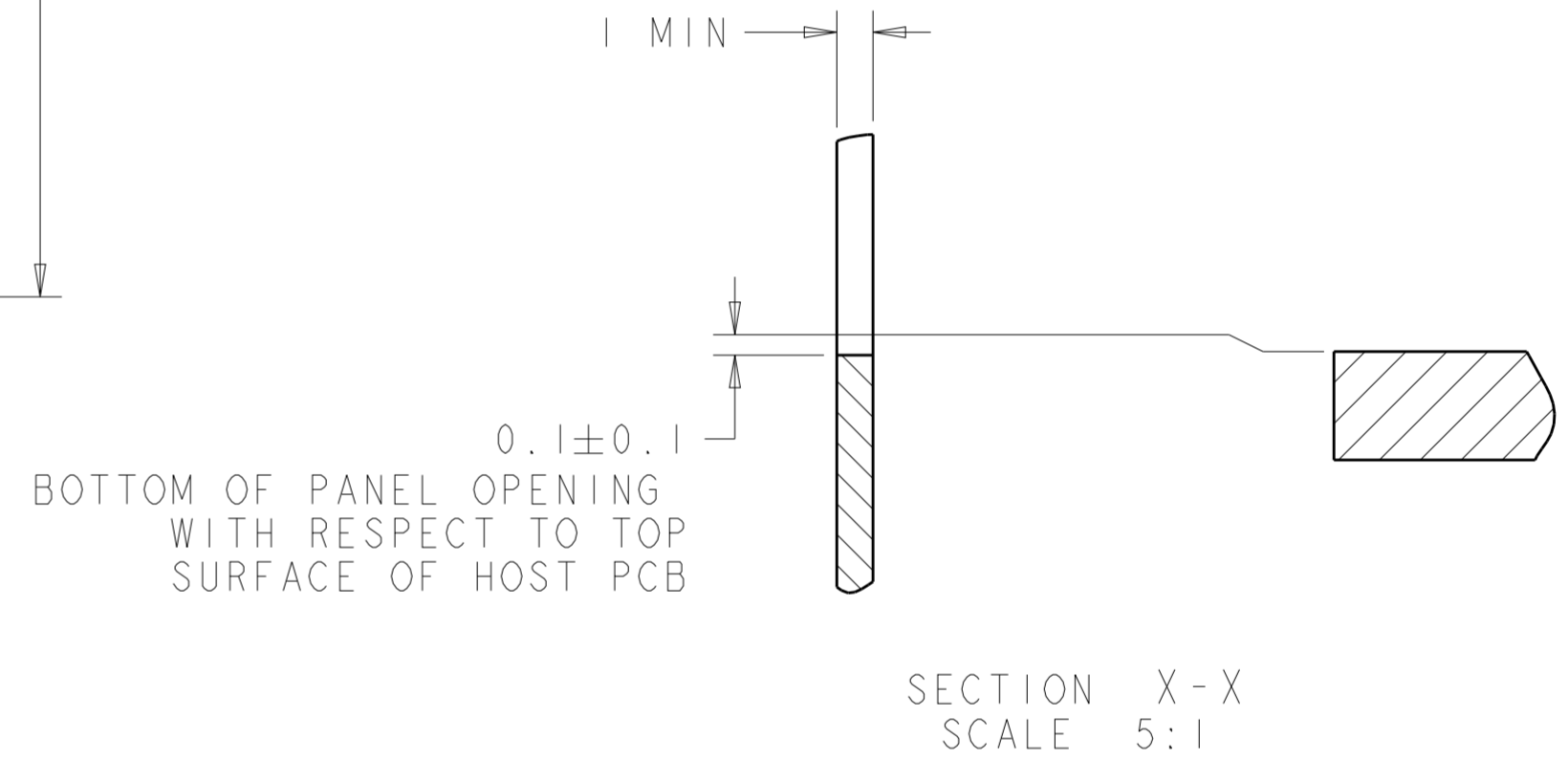
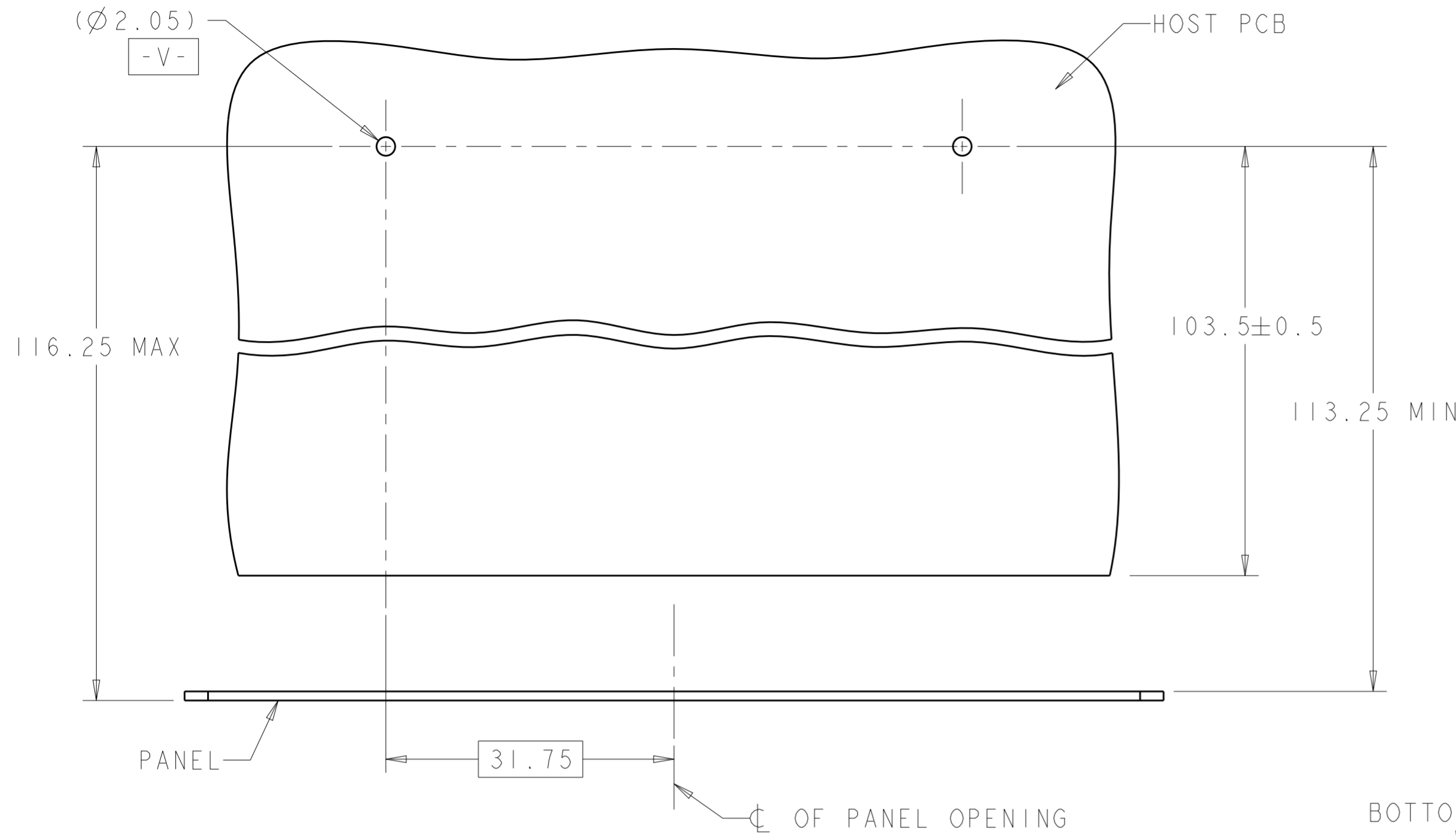
THIS PRINT IS
PRELIMINARY
UNQUALIFIED PRODUCT
CONTACT PRODUCT ENGINEERING
BEFORE USING THIS PRINT

THIS DRAWING IS A CONTROLLED DOCUMENT.

DIMENSIONS:	TOLERANCES UNLESS OTHERWISE SPECIFIED:	DWN	B. MATTHEWS	18OCT2011
mm	0 PLC ±0.13	CHK	M. SCHMITT	18OCT2011
	1 PLC ±0.1	M	SCHMITT	18OCT2011
	2 PLC ±0.05	APVD	M. SCHMITT	18OCT2011
	3 PLC ±	NAME	STE TE Connectivity	
	4 PLC ±	PRODUCT SPEC	BACKER PLATE ASSEMBLY, 100 GIG PLUGGABLE	
	ANGLES ±	APPLICATION SPEC	SIZE	CAGE CODE
	FINISH ±	WEIGHT	A200779	C-2057928
MATERIAL	①	CUSTOMER DRAWING	SCALE	SHEET 1 OF 2
	②			REV 3

THIS DRAWING IS UNPUBLISHED. RELEASED FOR PUBLICATION 20
 © COPYRIGHT 20 ALL RIGHTS RESERVED.

LOC	DIST	REVISIONS					
GP	00	P	LTR	DESCRIPTION	DATE	DWN	APVD
		-		SEE SHEET 1	-	-	-



RECOMMENDED PANEL OPENING
 AND PANEL LOCATION WITH RESPECT TO HOST PCB
 SCALE 2:1

THIS DRAWING IS A CONTROLLED DOCUMENT.		DWN B. MATTHEWS	18OCT2011	 TE Connectivity
DIMENSIONS:		CHK M. SCHMITT	18OCT2011	
TOLERANCES UNLESS OTHERWISE SPECIFIED:		APVD M. SCHMITT	18OCT2011	
mm		PRODUCT SPEC		
0 PLC ± 0.13 1 PLC ± 0.1 2 PLC ± 0.05 3 PLC \pm 4 PLC \pm ANGLES \pm FINISH		APPLICATION SPEC		NAME BACKER PLATE ASSEMBLY, 100 GIG PLUGGABLE
MATERIAL		WEIGHT		SIZE A200779
		CUSTOMER DRAWING	SCALE 1:1	DRAWING NO C-2057928
			SHEET 2 OF 2	RESTRICTED TO -
			REV 3	

Mouser Electronics

Authorized Distributor

Click to View Pricing, Inventory, Delivery & Lifecycle Information:

[TE Connectivity:](#)

[2057928-3](#)