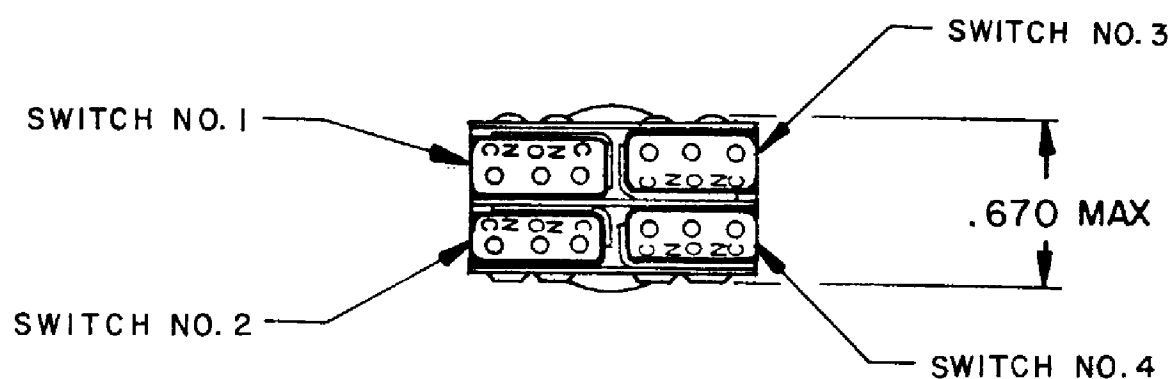
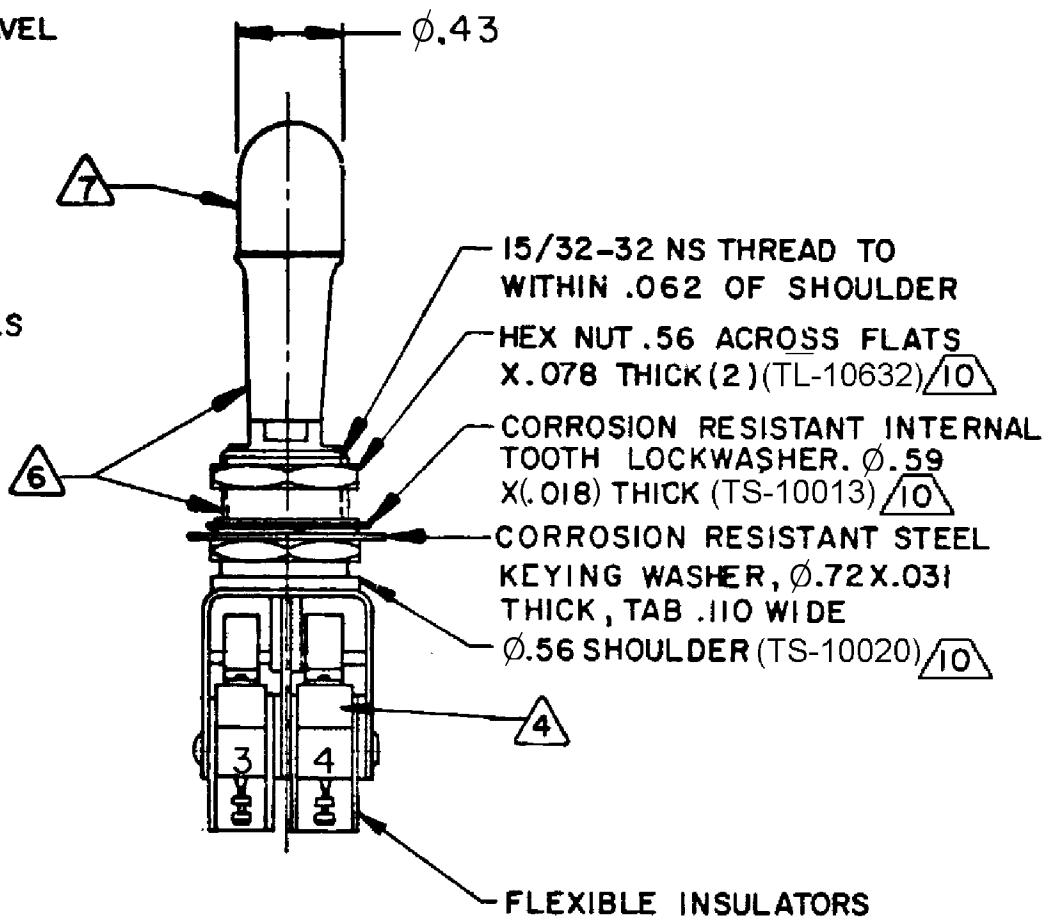
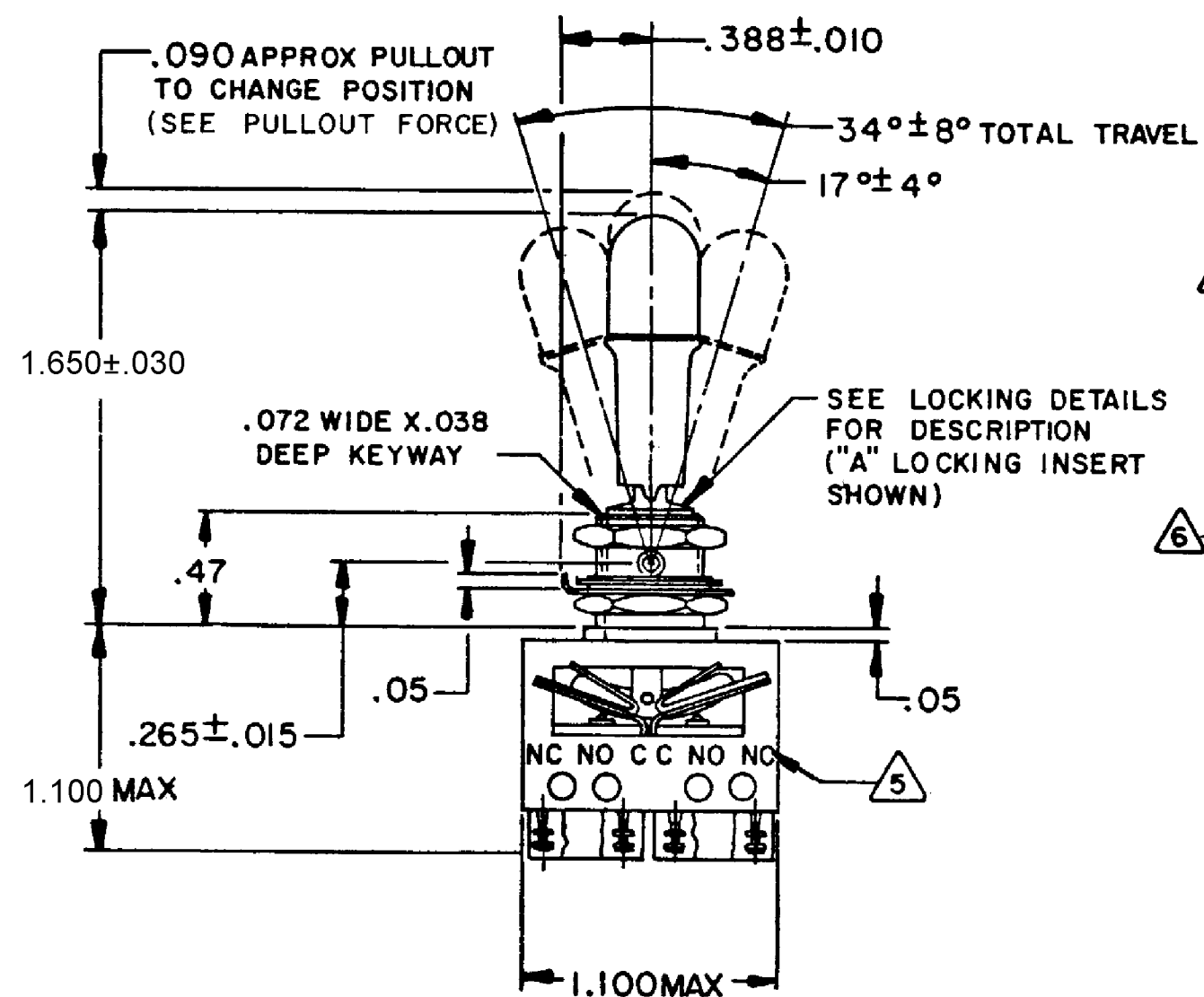


HONEYWELL PART NUMBER
64AT811-1E

CATALOG LISTING	STATUS	KEYWAY POSITION		CENTER POSITION		OPPOSITE KEYWAY POSITION		RECOMMENDED LKG. COMBINATIONS	REV	DOCUMENT	CHANGED BY	CHECK
		C-NO	C-NC	C-NO	C-NC	C-NO	C-NC		A	0040105	KVB 27MAY08	BLR
64AT811-1		3,4	1,2	NONE	ALL	1,2	3,4	E				



"A" LOCKED IN THREE POSITIONS	"B" LOCKED IN CENTER AND EXTREME POSITION (KEYWAY SIDE)	"D" LOCKED OUT OF CENTER POSITION	"E" LOCKED IN CENTER POSITION	"F" LOCKED IN EXTREME POSITION (OPPOSITE KEYWAY)	"G" LOCKED IN EXTREME POSITION (KEYWAY SIDE)
"H" LOCKED OUT OF CENTER AND EXTREME POSITION (KEYWAY SIDE)	"J" LOCKED OUT OF CENTER AND EXTREME POSITION (OPPOSITE KEYWAY)	"K" LOCKED IN CENTER AND EXTREME POSITION (OPPOSITE KEYWAY)	"L" LOCKED OUT OF EXTREME POSITION (KEYWAY SIDE)	"M" LOCKED INTO AND INTO EXTREME POSITION (OPPOSITE KEYWAY)	"N" LOCKED OUT OF EXTREME POSITION (OPPOSITE KEYWAY)
"P" LOCKED OUT OF AND INTO EXTREME POSITION (KEYWAY SIDE)					

NOTES:

- ① - UNIT INCLUDES "23SX39-T2 SMOOTH GOLD CONTACT" (4)
- 2 - SWITCHES DO NOT NECESSARILY OPERATE SIMULTANEOUSLY
- 3 - TERMINALS ARE PLATED FOR SOLDERING
- ④ SWITCH NUMBERS MARKED ON END OF BASIC SWITCHES
- ⑤ TERMINAL DESIGNATION STAMPED ON BOTH SIDES OF UNIT
- ⑥ DULL FINISH ON LEVER AND BUSHING
- ⑦ FLAT WHITE RESILIENT SILICONE (50 DUROMETER APPROX)
- ⑧ SUFFIX LETTER MUST BE ADDED FOR DESIRED TYPE TOGGLE LOCKING (SEE CHART FOR RECOMMENDED LOCKING COMBINATIONS)
- 9 - FOR REPLACEMENT BUTTON SEE MICRO SWITCH CAT. LISTING 15PA90-6W
- ⑩ HARDWARE FURNISHED ASSEMBLED WITH SWITCH OR IN PACKET 15PA313-AT PER MIL-PRF-8805
- 11 - REPLACEMENT MOUNTING HARDWARE PACKET 15PA313-AT

CHARACTERISTICS	ELECTRICAL DATA	DESIGN UNITS: INCH TOLERANCES UNLESS NOTED:	DRAWN	DVM	30APR08	Honeywell
PULL OUT FORCE ----- 3 lb MIN - 5 lb MAX	CONTACT ARRANGEMENT SPDT (4)	NO PLACES X ± 0.03 ONE PLACE .X ± 0.015 TWO PLACE .XX ± 0.005 THREE PLACE .XXX ± ANGLES X ±	CHECK	TSG	30APR08	
	LOAD (AMPS)	28VDC SEA LEVEL 50000 FT	THIS DRAWING COVERS A PROPRIETARY ITEM AND IS THE PROPERTY OF HONEYWELL. THIS DRAWING IS NOT TO BE COPIED OR USED WITHOUT THE PERMISSION OF HONEYWELL.			TOGGLE SWITCH
	RESISTIVE	1.0 1.0	INTERPRET PER ASME Y14.5M-1994 OTHER HONEYWELL ENGINEERING STANDARDS MAY APPLY			SIZE TYPE CAGE CODE DRAWING NAME REV
	INDUCTIVE	0.5 0.5	RASTER			C I - 64AT811-1E A
		THIRD ANGLE PROJECTION	SCALE 2:1			SHEET 1 OF 1

Mouser Electronics

Authorized Distributor

Click to View Pricing, Inventory, Delivery & Lifecycle Information:

[Honeywell:](#)

[64AT811-1E](#)