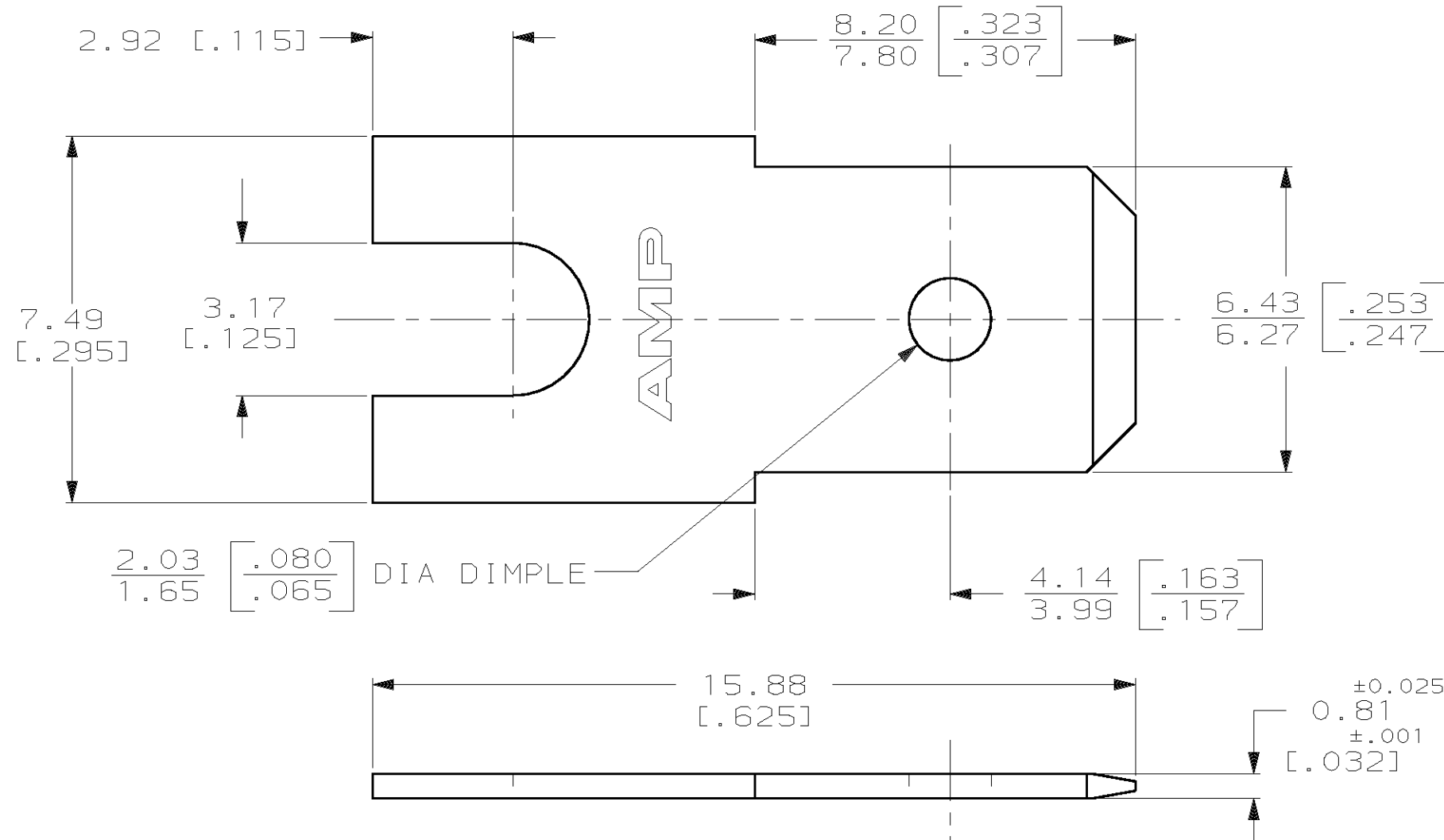


THIS DRAWING IS UNPUBLISHED. RELEASED FOR PUBLICATION, 19 .
 © COPYRIGHT 19 BY AMP INCORPORATED. ALL INTERNATIONAL RIGHTS RESERVED.

| LOC | DIST | P | F | ZONE | LTR | DESCRIPTION | DATE | APPD |
|-----|------|---|---|------|-----|----------------------|---------|------|
| AF | 50 | | | | G | REV PER 0L10-0205-97 | 5/14/97 | JR |

1 SUPPLIED IN LOOSE PIECE



METRIC

| | |
|---|--|
| DO NOT SCALE PRINT. UNLESS SPECIFIED DIMENSIONS IN mm [INCHES] TOLERANCES ON: 2 PLC DEC ± 0.25 [.010] 3 PLC DEC ± - ANGLES ± - | DR 12/19/91 JR RUTH CHK 12/19/91 MS FEHER APPD 12/19/91 C MEYERS APPD 12/19/91 D REINER |
| MATERIAL SEE TABLE | PRODUCT SPEC - |
| FINISH - | APPLICATION SPEC - |
| | WEIGHT - |

| | |
|--|---------------------|
| T3 STEEL | 60447-2 |
| 082 BRASS | 60447-1 |
| MATERIAL | PART NO |
| AMP AMP Incorporated Harrisburg, PA 17105-3608 | |
| NAME TAB, FASTON, 6.35 [.250] SERIES | |
| SIZE B | CAGE CODE 00779 |
| SCALE 8:1 | DRAWING NO 60447 |
| | SHEET 1 OF 1 |

Mouser Electronics

Authorized Distributor

Click to View Pricing, Inventory, Delivery & Lifecycle Information:

[TE Connectivity:](#)

[60447-1](#)