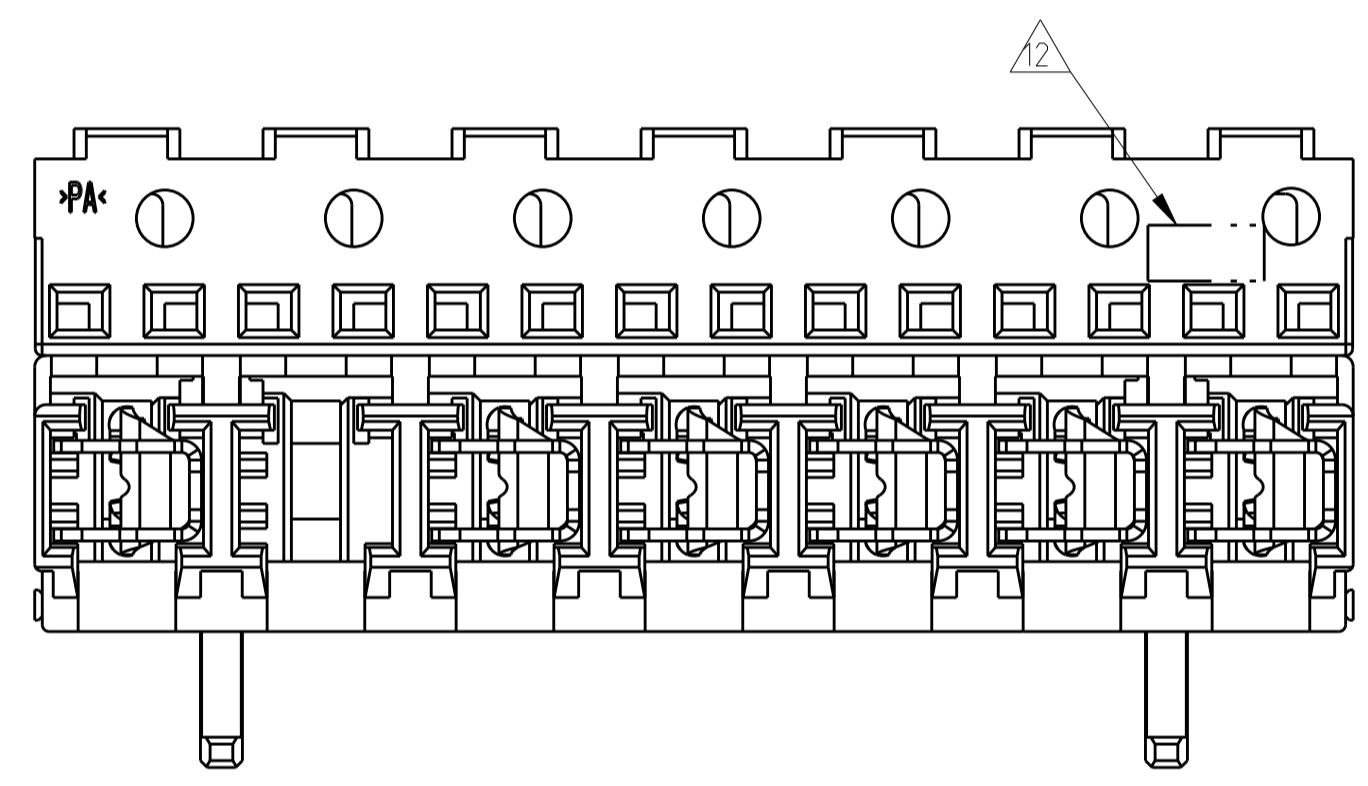
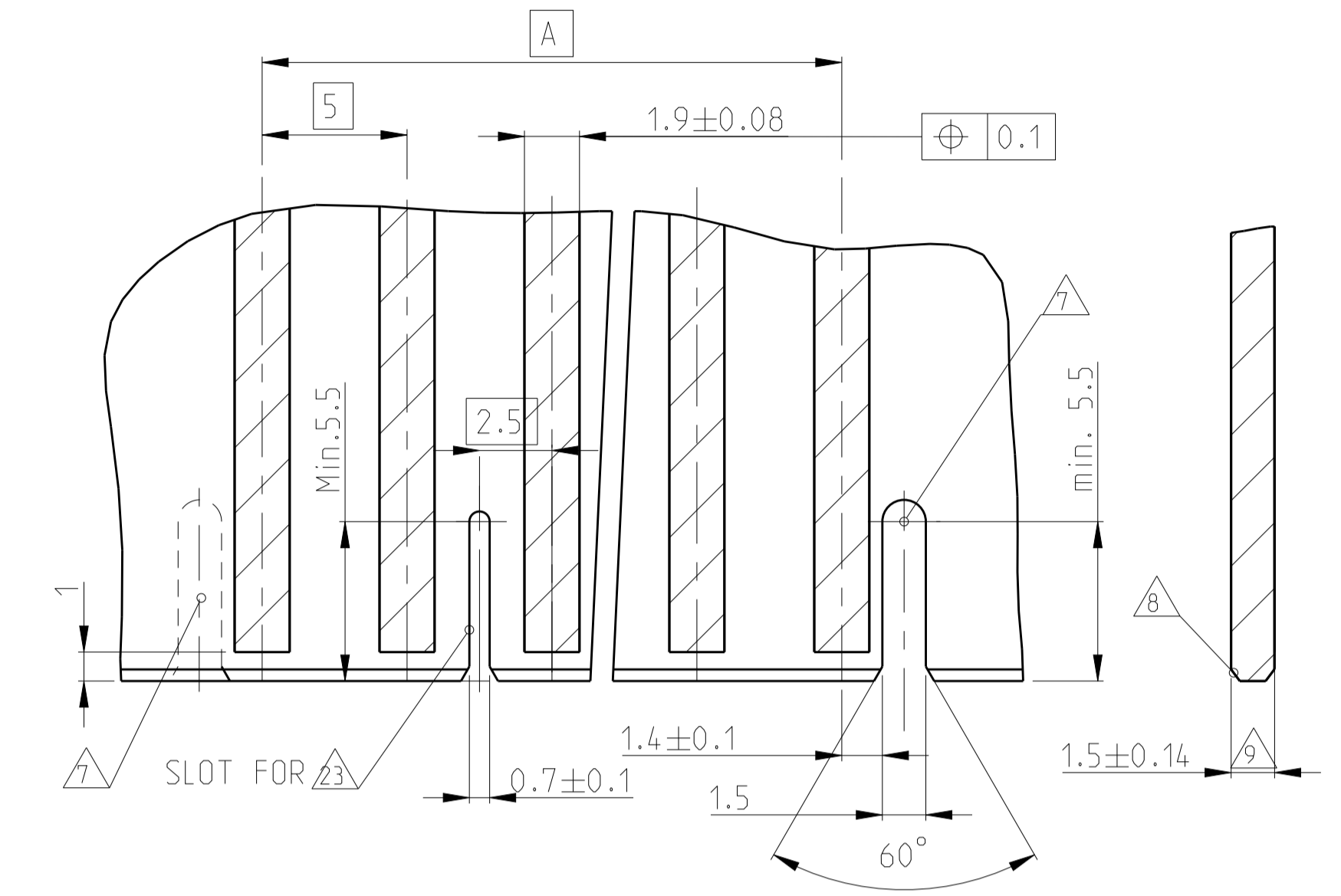
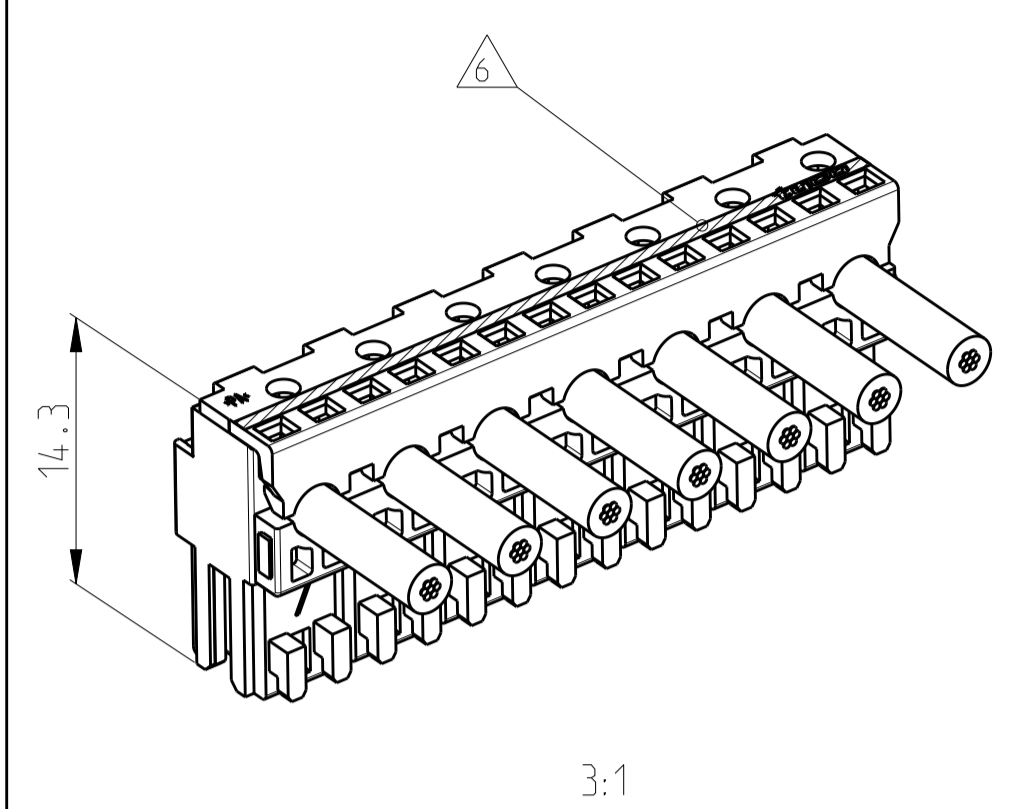
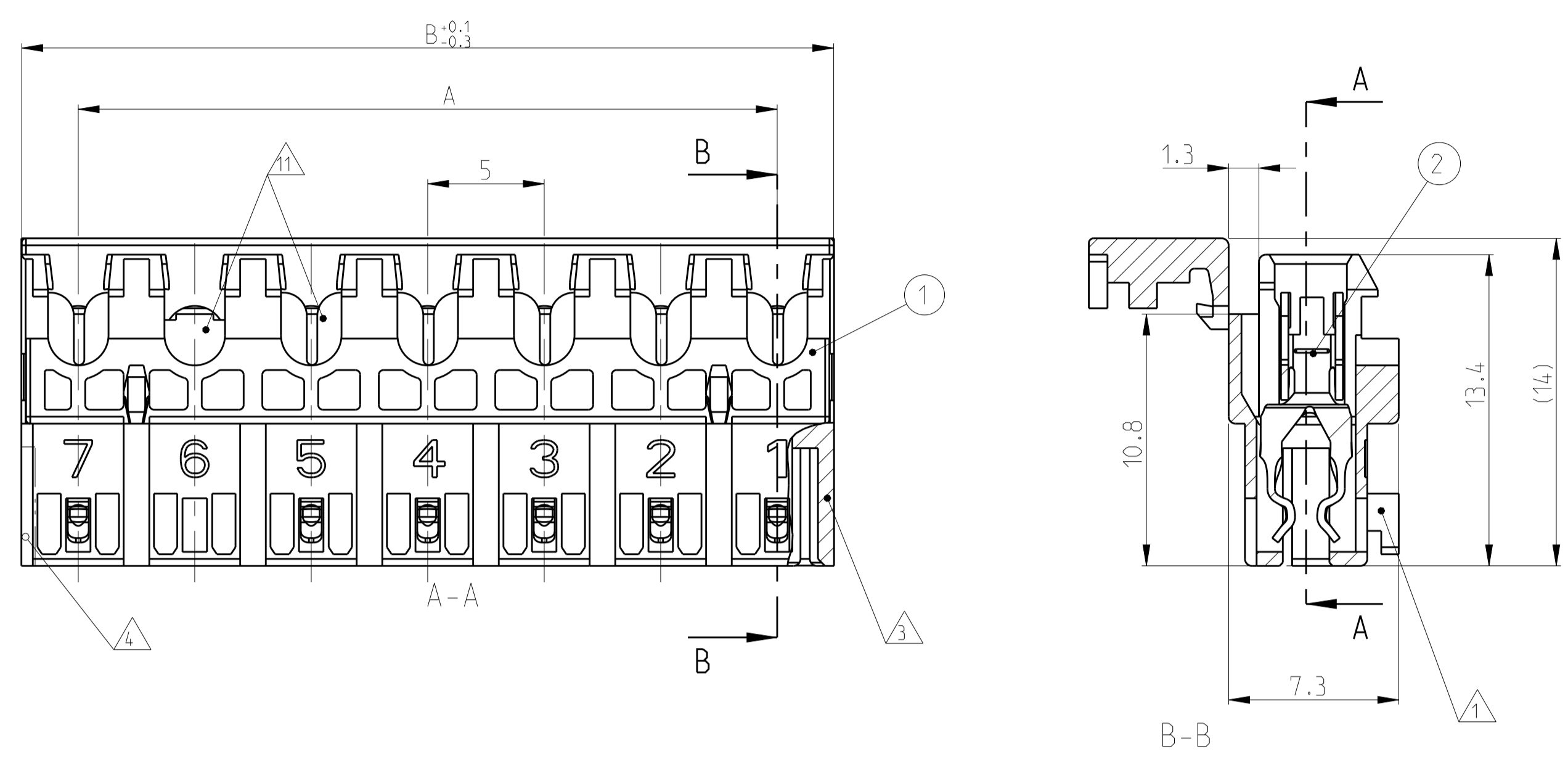
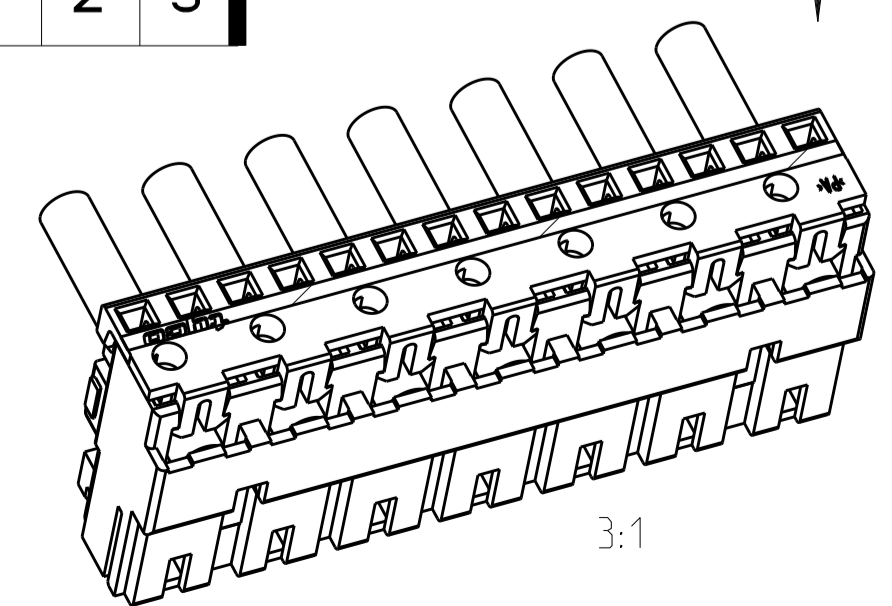
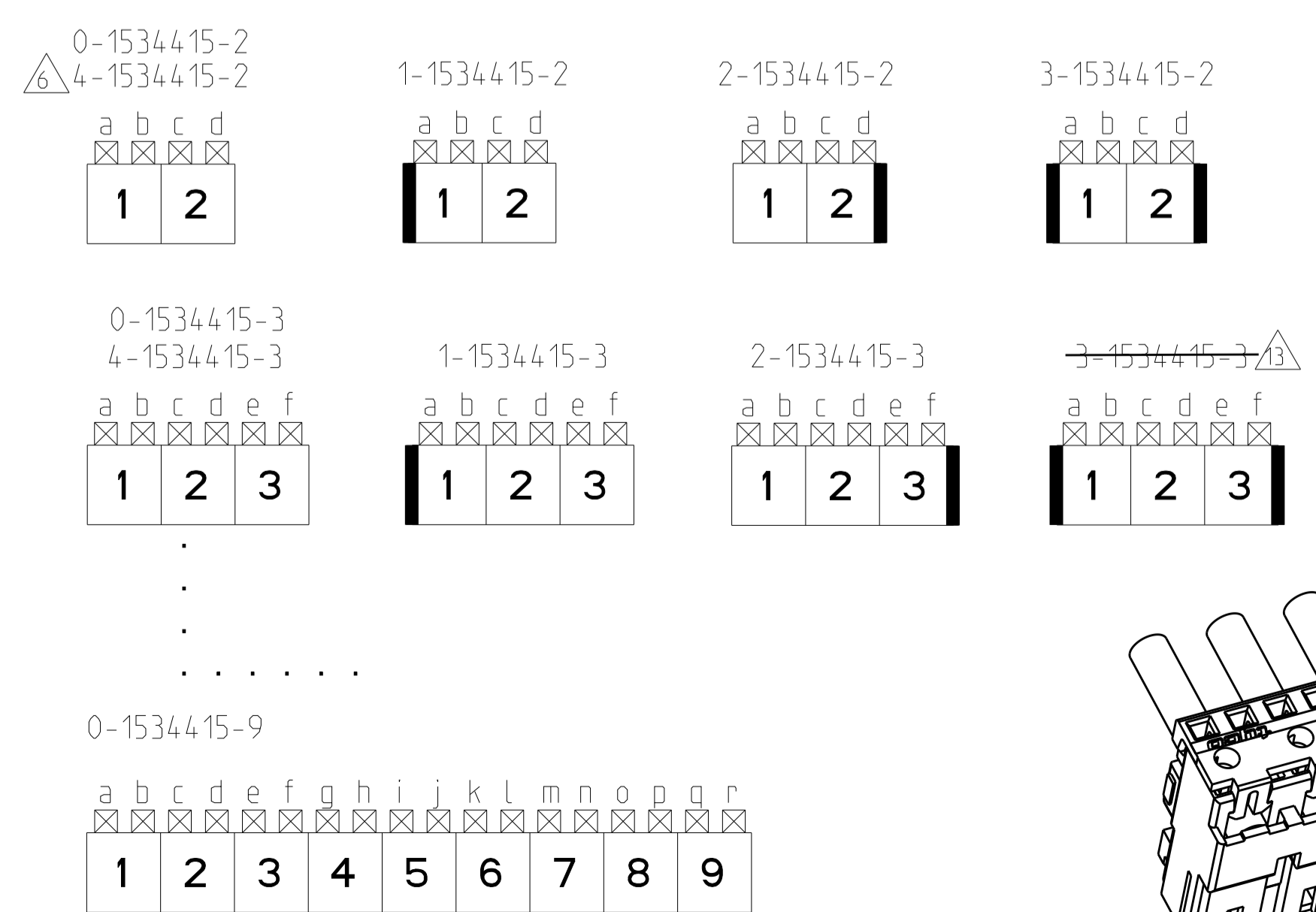


LOC	DIST	REV	DATE	BY	CHK	APPV
A1	-	D13	28AUG18	LR	FL	
		D14	13DEC2018	KD	FL	
		D15	20DEC2018	KD	FL	

PCB LAYOUT KEYED / CONNECTED ONLY WITH ADDITIONAL FRAME  
 Leiterplattenanschluss kodiert / nur in Verbindung mit zusätzlichem Rahmen



KEYING PLAN (VIEW Z)  
 Kodierschema (Ansicht Z)



- 16 KEYING BETWEEN POSITIONS
- 15 UL94 V0 AND GLOW WIRE TEST 750 °C WITHOUT FLAME
- 14 PRELIMINARY PART NOT RELEASED FOR PRODUCTION
- 13 OBSOLETE
- 12 TE LOGO

- 11 X...CAVITY LOADED WITH CONTACT  
 O...CAVITY WITHOUT CONTACT  
 X...Kammer mit Kontakt  
 O...Kammer ohne Kontakt
- 10 GLOW WIRE TEST 750 °C WITHOUT FLAME  
 Gluehdrahttest 750°C ohne Flamme
- 9 INCLUSIVE COPPER CLADDING:  
 Inclusive Kupferkaschierung:
- 8 PCB PREFERABLY CHAMFERED.  
 Leiterplatte vorzugsweise angefast.
- 7 SLOT FOR SIDE KEYING,  $\triangle$   $\triangle$   
 Schlitz fuer Seitenkodierung,  $\triangle$   $\triangle$ .
- 6 COLOUR MARKING ON TOP OF HOUSING OPTIONAL ON TERMINATION MACHINE  
 Farbmarkierung auf Gehäuseoberseite optional an Verarbeitungsmaschine
- MATING PART: PCB (WITH FRAMES ACC. RAST 2.5 E.G. PN 964 575/576)  
 TABHEADER PN 1 534 787/788  
 5 Passender Gegenstecker: Leiterplatten (mit Rahmen nach RAST 2.5 z.B. 964 575/576)  
 Tabwannen Nr. 1 534 787/788
- 4 SIDE KEYING, ON LAST CAVITY  
 Seitenkodierung, an letzter Kammer
- 3 SIDE KEYING, ON CAVITY 1  
 Seitenkodierung, an Kammer 1
- 2 WIRE RANGE: 0.35-0.5 mm<sup>2</sup>  
 Drahtgrößenbereich: 0.35-0.5 mm<sup>2</sup>
- 1 KEYING RIBS; CUTTING WITH TERMINATION MACHINE POSSIBLE  
 Kodierrippe; Schneiden auf der Verarbeitungsmaschine möglich

2	SEE TABLE siehe Tabelle	KONTAKT	CuNiSi	TINNED
1		Federleistengehäuse	PA 6 $\triangle$	NATUR/Natur
POS.	PN Bestell-Nr.	DESCRIPTION Beschreibung	MATERIAL	COLOUR/FINISH Farbe/Oberflaeche

THIS DRAWING IS A CONTROLLED DOCUMENT.		OWN: H. Karabiyik 13OCT2016	TE Connectivity
DIMENSIONS: mm		CHK: B. Schnaubelt 24JAN2002	
TOLERANCES UNLESS OTHERWISE SPECIFIED:		APPV: T. Klenner 24JAN2002	NAME: AMP DUOPLUG POWER FEMALE CONNECTOR (Standard Version)
0 PLC ±0.2		PRODUCT SPEC: 108-18780	
1 PLC ±0.2		APPLICATION SPEC: 114-18458	SIZE: A1
2 PLC ±0.2		WEIGHT: -	CAGE CODE: 00779
3 PLC ±0.2		CUSTOMER DRAWING	DRAWING NO: 1534415
4 PLC ±0.2		SCALE: 5:1	SHEET: 1 OF 2
ANGLES: -		REVISION: 15	

LOC	DIST	REVISIONS			
P	LTN	DESCRIPTION	DATE	DMN	APVD
-	-	SEE SHEET 1	-	-	-


△15 PART NUMBERS WITH VO + GWT VERSION

X	X	X	X	X	X	X	X	X	X	NATURE	9	40	44.9	-	-	-	-
		0	0	X	X	X	X	X	X	NATURE	7	30	34.9	-	-	-	1-2328644-7
		X	X	X	X	X	X	X	X	NATURE	7	30	34.9	-	-	-	2328644-7
				X	X	X	X	X	X	NATURE	5	20	24.9	-	-	-	-
						X	X	X	X	NATURE	3	10	14.9	-	-	X	2328644-3
							X	X	X	NATURE	2	5	9.9	-	-	-	-
9	8	7	6	5	4	3	2	1									
CAVITY LOADED △11										COLOR △6	POS.	DIM A	DIM B	KEYING △16	KEYING △4	KEYING △3	TE P/N △14
2	SEE TABLE siehe Tabelle		CONTACT		CuNiSi		TINNED										
1			Federleistengehaeuse		PA 6		NATUR/Natur										
POS.	TE P/N	DESCRIPTION		MATERIAL		COLOUR/FINISH											

X	X	X	X	X	X	X	X	X	X	X	NATURE	10	45	49.9	3/4	-	-	2-1534415-0 △14	
X	X	X	X	X	X	X	X	X	X	X	NATURE	10	45	49.9		-	-	1-1534415-0 △14	
	X	X	X	X	X	X	X	X	X	X	NATURE	9	40	44.9		-	-	0-1534415-9	
		X	X	X	X	X	X	X	X	X	NATURE	8	35	39.9		-	-	0-1534415-8	
			X	X	X	X	X	X	X	X	NATURE	7	30	34.9		-	-	0-1534415-7	
				X	X	X	X	X	X	X	NATURE	6	25	29.9		-	-	0-1534415-6	
					X	X	X	X	X	X	NATURE	5	20	24.9		-	-	0-1534415-5	
						X	X	X	X	X	NATURE	4	15	19.9		-	X	3-1534415-4 △14	
							X	X	X	X	NATURE	4	15	19.9	3/4	X	X	2-1534415-4 △14	
								X	X	X	NATURE	4	15	19.9	2/3	X	X	1-1534415-4 △14	
									X	X	NATURE	4	15	19.9		-	-	0-1534415-4	
										X	X	NATURE	3	10	14.9	1/2		X	6-1534415-3 △14
										X	X	NATURE	3	10	14.9		X	-	5-1534415-3 △15
										X	0	NATURE	3	10	14.9		-	-	4-1534415-3
										X	X	X	3	10	14.9		X	X	3-1534415-3 △13
										X	X	NATURE	3	10	14.9		X	-	2-1534415-3
										X	X	NATURE	3	10	14.9		-	X	1-1534415-3
										X	X	NATURE	3	10	14.9		-	-	0-1534415-3
										X	X	BROWN	2	5	9.9		-	-	4-1534415-2 △6
										X	X	NATURE	2	5	9.9		X	X	3-1534415-2
										X	X	NATURE	2	5	9.9		X	-	2-1534415-2
										X	X	NATURE	2	5	9.9		-	X	1-1534415-2
										X	X	NATURE	2	5	9.9		-	-	0-1534415-2
10	9	8	7	6	5	4	3	2	1										
CAVITY LOADED △11										COLOR △6	POS. Polzahl	DIM A	DIM B	KEYING △16	KEYING △4	KEYING △3	PN Bestell-Nr.		

PART NUMBERS WITH SILVERED CONTACTS

X	X	X	X	X	X	X	X	X	X	NATURE	9	40	44.9	-	-	-	2319602-9
			X	X	X	X	X	X	X	NATURE	7	30	34.9	-	-	-	2319602-7
					X	X	X	X	X	NATURE	5	20	24.9	-	-	-	2319602-5
								X	X	NATURE	2	5	9.9	-	-	-	2319602-2
9	8	7	6	5	4	3	2	1									
CAVITY LOADED △11										COLOR △6	POS.	DIM A	DIM B	KEYING △4	KEYING △3	TE P/N △14	
2	SEE TABLE siehe Tabelle		CONTACT		CuNiSi		SILVERED										
1			Federleistengehaeuse		PA 6		NATUR										
POS.	TE P/N	DESCRIPTION		MATERIAL		COLOUR/FINISH											

THIS DRAWING IS A CONTROLLED DOCUMENT.		DMN: H. Karabiyik 130CT2016 CHK: B. Schnaubelt 24 JAN 2002 APVD: T. Klenner 24 JAN 2002	 TE Connectivity NAME: AMP DUOPLUG POWER FEMALE CONNECTOR (Standard Version)	
DIMENSIONS: mm	TOLERANCES UNLESS OTHERWISE SPECIFIED:	PRODUCT SPEC: 108-18780 APPLICATION SPEC: 116-18458		
MATERIAL: -	FINISH: -	WEIGHT: -	SIZE: A1	CAGE CODE: 00779
CUSTOMER DRAWING		SCALE: 5:1	SHEET: 2 OF 2	REP: 15