

Voltage selector switch with fuseholder, 6 stages, step switch, panel mounting



Description

- Voltage Selector, with fuseholder, 6 stages
- Step switch
- For 5 x 20 mm or 6.3 x 32 mm fuse-links
- Solder terminals

Standards

- IEC 61058-2-5
- UL 508
- CSA C22.2 no. 55

References

Last order date: 31.12.2013

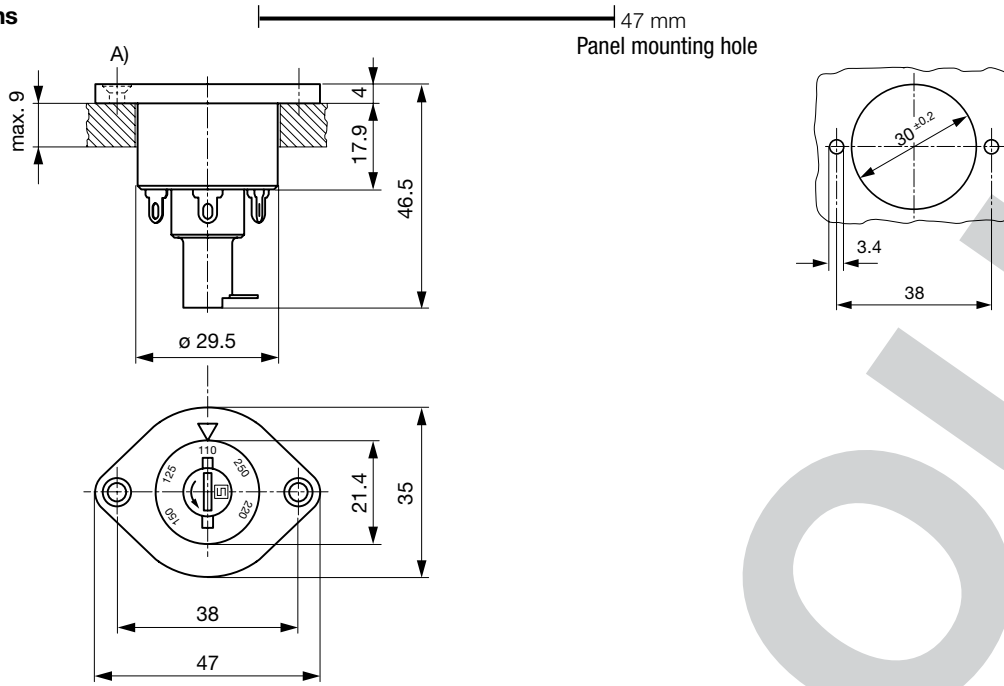
Weblinks

[pdf-datasheet](#), [html-datasheet](#), [General Product Information](#), [Approvals](#), [CE declaration of conformity](#), [RoHS](#), [CHINA-RoHS](#), [e-Shop](#), [SCHURTER-Stock-Check](#), [Distributor-Stock-Check](#), [CAD-Drawings](#), [Mounting instruction](#), [Detailed request for product](#)

Technical Data

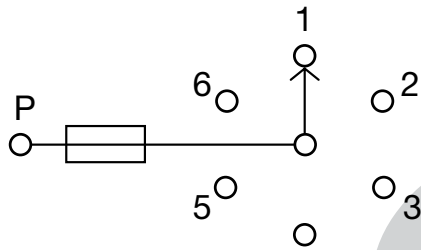
Ratings	IEC: 6.3 A / 250 VAC; 50 Hz	Solderability	350 °C / 2 sec acc. to IEC 60068-2-20, Test Ta, method 2	
	UL: 6.3 A / 250 VAC; 60 Hz		Resistance to Soldering Heat	350 °C / 10sec acc. to IEC 60068-2-20, Test Tb, method 2
	CSA: 10 A / 250 VAC; 60 Hz			Insulation Resistance
Mounting	Panel Mount from front side	Contact Resistance	< 10mΩ at 20 mV	
Fastening	Screw-on mounting	Dielectric Strength	> 2kVAC between L-N > 4kVAC between L/N-PE (1min; 50Hz)	
Terminal	Solder	Clearance and Creepage Distance	> 3mm > 8mm between L/N-PE	
Number of Stages	6	Resistance to Vibration	acc. to IEC 60068-2-6, test Fc	
Lifetime	300 operating cycles (without load)			
Degree of Protection	IP 40			
Shock-Safe Category	PC2			
Protection Class	Suitable for appliances with protection class II acc. to IEC 61140			
Allowable Operation Temp.	-40 °C to 70 °C			
Climatic Category	25/85/21 acc. to IEC 60068-1			
Material: Socket	Thermoplastic, black, UL 94V-0			
Weight	20.4 g			

Dimensions



A) Hole for M3

Diagrams



Variants

Letterings						Order Number
Stage 1	Stage 2	Stage 3	Stage 4	Stage 5	Stage 6	
110	125	150	200	220	250	0033.2500
208	220	240				0033.2506
100	110	120	200	220	240	0033.2507
100	115	220	230	240		0033.2510
200 V	208 V	220 V	230 V	240 V	NC	0033.2511
100 V	120 V	200 V	220 V	240 V		0033.2512
						0033.2514
240 V	230 V	220 V	208 V	115 V	100 V	0033.2517
100	115	220	240			0033.2520

Most Popular. Availability for all products can be searched real-time: <http://www.schurter.com/en/Stock-Check/Stock-Check-SCHURTER>

Fuse cape FEU has to be ordered separately:

0031.1663 for fuse 5 x 20 mm

0031.1661 for fuse 6.3 x 32 mm

(see required Accessory)

Packaging Unit 25 Pcs**Required Accessory****Description**

Caps to FEU, FAU, FAC

Caps to Holder FEU, FEU (Med), FAU, FAC

Slot Knob, 6.3 x 32 mm, black, IP 40

0031.1661

Slot Knob, 5 x 20 mm, black, IP 40

0031.1663

Slot Knob, 6.3 x 32 mm, grey, IP 40

0031.1666