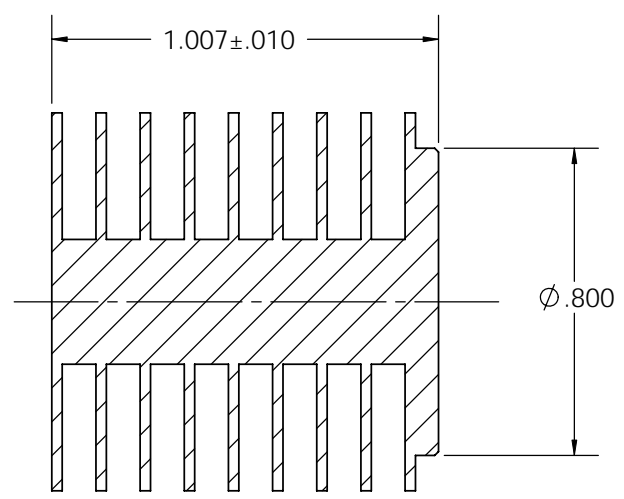
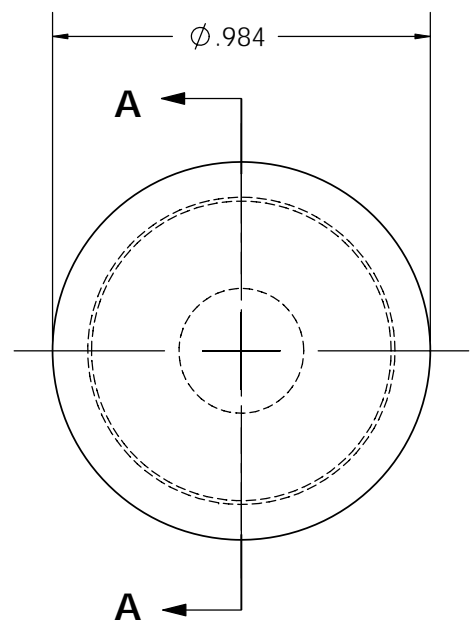
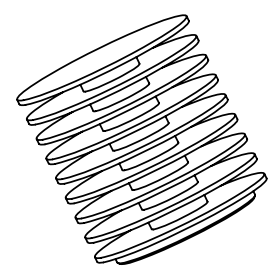


REVISION(S)			
LTR	DESCRIPTION	INIT	APP'D
A	NEW RELEASE	E.T 10/8/03	C.R 10/8/03
B	ECN: 0S60-0045-05	E.T 2/15/05	B.P 2/16/05
C	ECR-06-006382	E.T 3/16/06	C.W 3/16/06
D	ECO-09-000019	E.T 1/2/09	B.S 1/5/09



SECTION A-A



SCALE = 1X

- NOTE: UNLESS OTHERWISE SPECIFIED:
1. INTERPRET DRAWING PER ASME Y14.5M - 1994.
  2. RoHS COMPLIANT AND CERTIFIED.

**CUSTOMER DRAWING**

SPECIFICATIONS ARE SUBJECT TO CHANGE WITHOUT NOTICE

<b>DO NOT SCALE</b>	Tyco Electronics Norwood, Massachusetts 02062			CONFIDENTIAL PROPERTY OF TYCO ELECTRONICS. NOT TO BE DISCLOSED TO OTHERS. REPRODUCED OR USED FOR ANY PURPOSES EXCEPT AS AUTHORIZED IN WRITING BY AN AUTHORIZED OFFICIAL OF TE. MUST BE RETURNED TO TE ON DEMAND, ON COMPLETION OF ORDERS OR OTHER PURPOSES FOR WHICH LENT.		TITLE: <b>HEAT SINK</b>		
	UNLESS OTHERWISE SPECIFIED TOLERANCES ARE:	DRAWN BY: E.TAO	DATE 10/07/03			MATERIAL: <b>2011-T3 ALUM.</b>	DIMENSIONS ARE IN: INCHES	SCALE: 2:1
	.XX ± .010 .XXX ± .005	ENGINEER: C.R	DATE 10/07/03	FINISH: <b>ANODIZE BLACK</b>	SIZE: <b>A</b>	DWG. NO. <b>C-1542779</b>	REV: <b>D</b>	
		FILENAME	PROJECT	SYSTEM	THIRD ANGLE PROJECTION			

# Mouser Electronics

Authorized Distributor

Click to View Pricing, Inventory, Delivery & Lifecycle Information:

[TE Connectivity:](#)

[1542779-4](#)