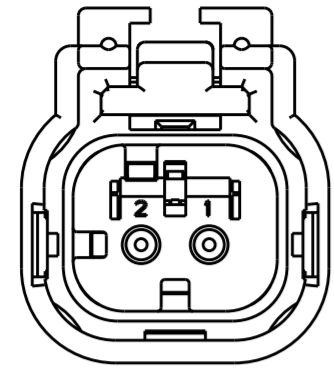
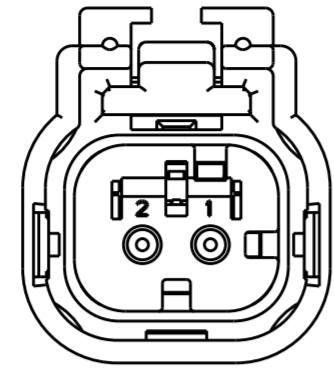


THIS DRAWING IS UNPUBLISHED. RELEASED FOR PUBLICATION 20
 © COPYRIGHT 20 BY - ALL RIGHTS RESERVED.

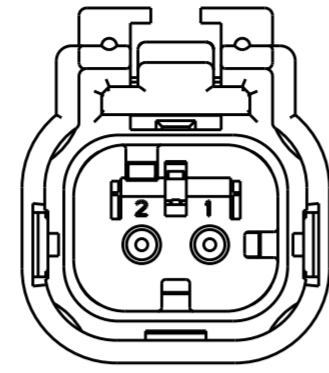
REVISIONS				
P	LTR	DESCRIPTION	DATE	APVD
E		REVISED PER ECO-13-019067	05DEC2013	DR RB



776522-2
SCALE 2:1
KEY B

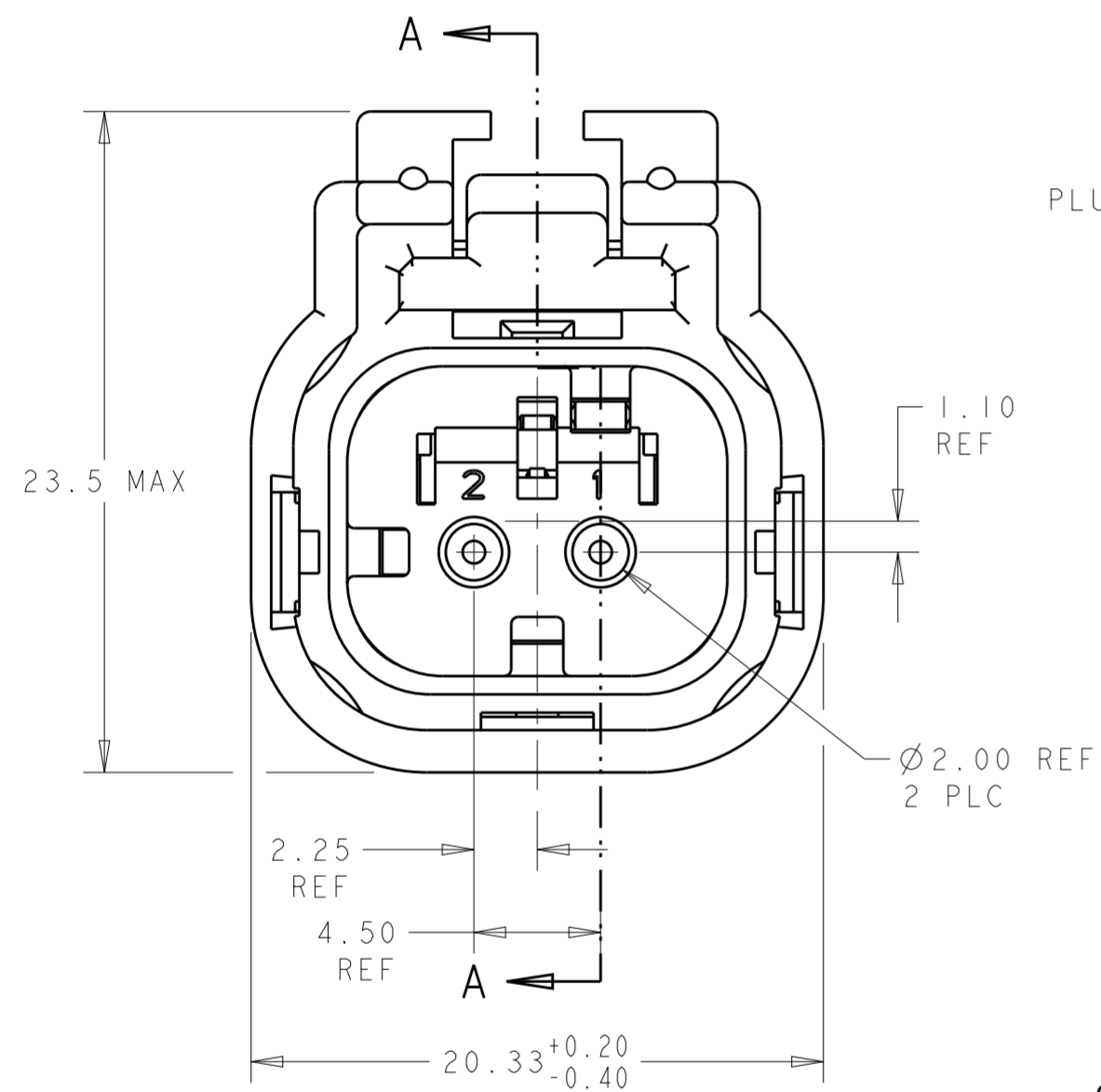


776522-3
SCALE 2:1
KEY C

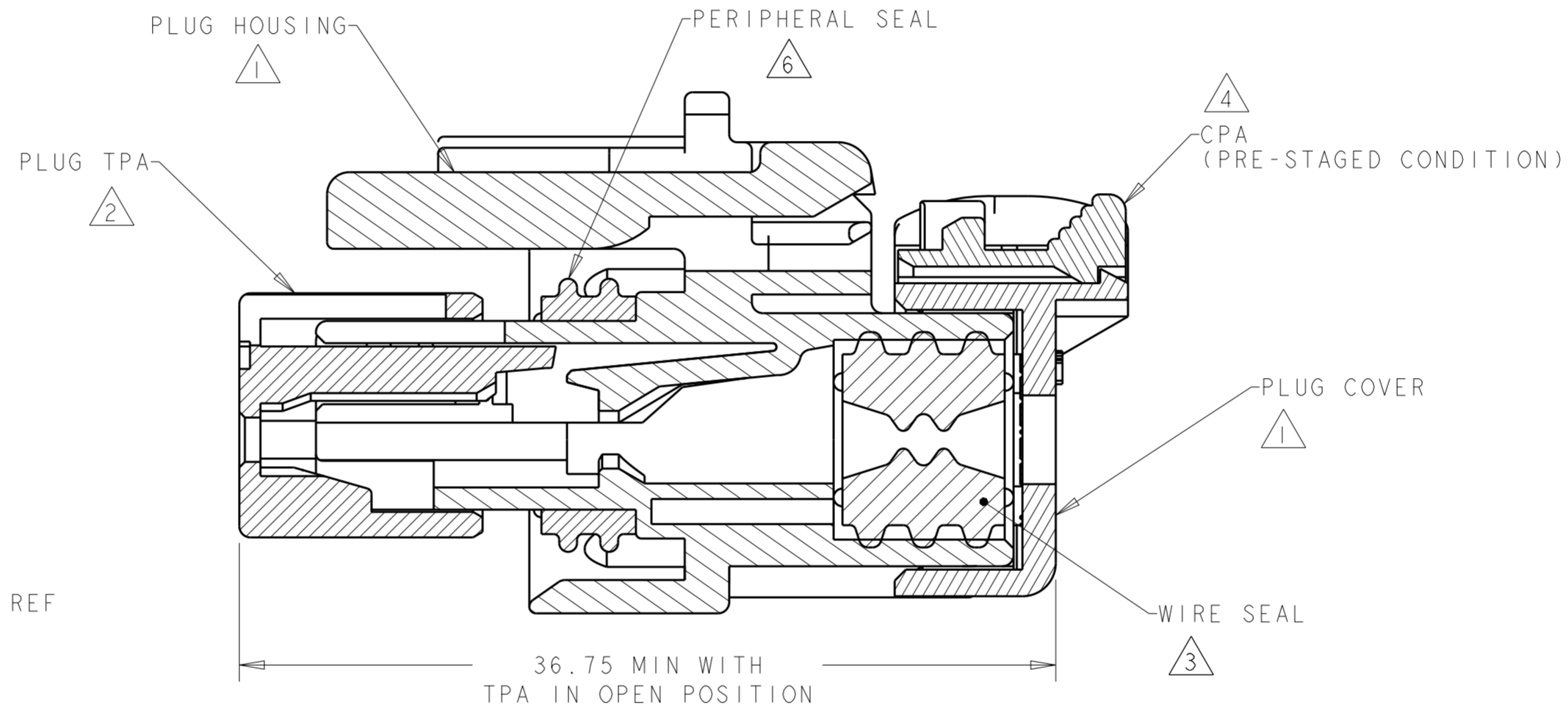


776522-4
SCALE 2:1
KEY D

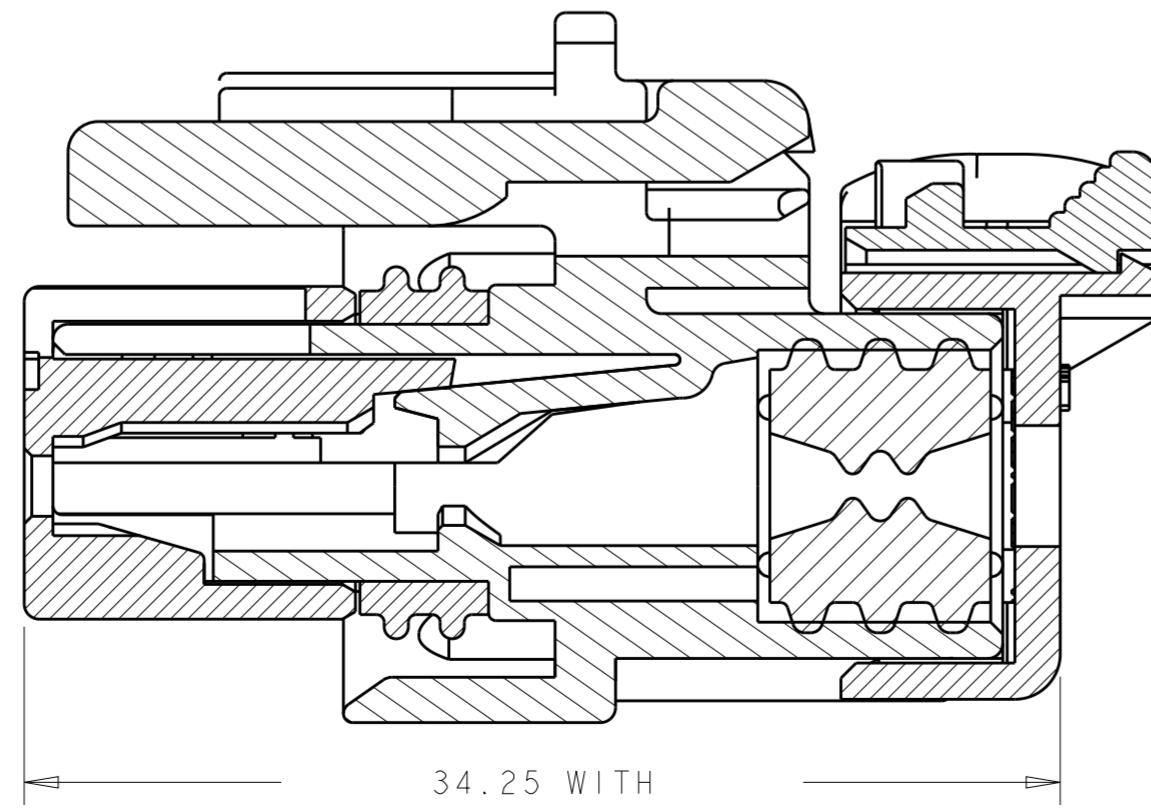
- 1 MATERIAL: 15% GLASS FILLED THERMOPLASTIC
COLOR: BLACK
- 2 MATERIAL: 15% GLASS FILLED THERMOPLASTIC
COLOR: (SEE TABLE)
- 3 MATERIAL: SILICONE
COLOR: LIGHT GRAY
- 4 MATERIAL: 15% GLASS FILLED THERMOPLASTIC
COLOR: RED
- 5. RECOMMENDED WIRE DIAMETER RANGE IS 1.30 TO 2.54mm.
- 6 MATERIAL: SILICONE
COLOR: BLUE



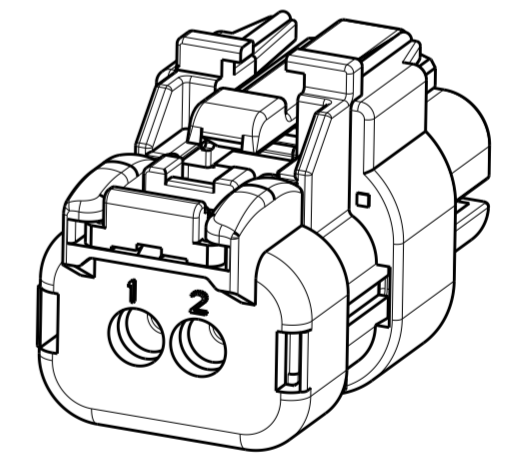
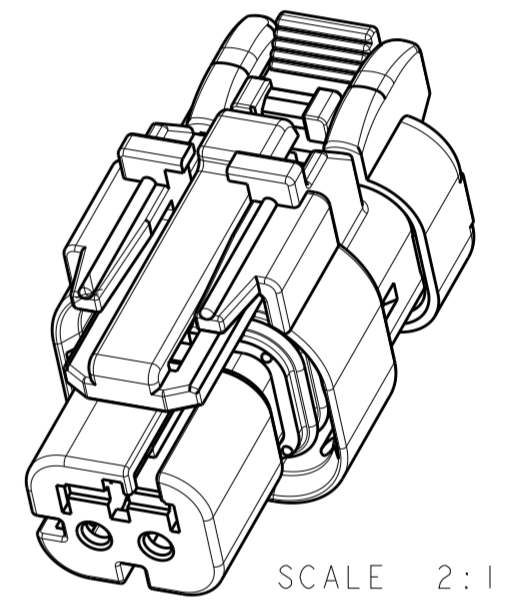
776522-1 SHOWN
KEY A



SECTION A-A



SECTION A-A



D	GREEN	776522-4
C	YELLOW	776522-3
B	GRAY	776522-2
A	RED	776522-1
KEY	TPA COLOR	PART NUMBER

THIS DRAWING IS A CONTROLLED DOCUMENT.		DWN AJ GRAFF 22FEB00	TE Connectivity															
DIMENSIONS: mm		CHK R GREINER 11DEC01																
TOLERANCES UNLESS OTHERWISE SPECIFIED:		APVD M TRULLI 11DEC01	NAME PLUG ASSEMBLY, 2 POSITION, SINGLE ROW REDUCED DIA WIRE SEAL, AMPSEAL 16															
<table border="1"> <tr><td>0 PLC</td><td>±</td></tr> <tr><td>1 PLC</td><td>±</td></tr> <tr><td>2 PLC</td><td>±</td></tr> <tr><td>3 PLC</td><td>±</td></tr> <tr><td>4 PLC</td><td>±</td></tr> <tr><td>ANGLES</td><td>±</td></tr> <tr><td>FINISH</td><td>-</td></tr> </table>		0 PLC	±	1 PLC	±	2 PLC	±	3 PLC	±	4 PLC	±	ANGLES	±	FINISH	-	PRODUCT SPEC 108-2184	SIZE A200779C-776522	
0 PLC	±																	
1 PLC	±																	
2 PLC	±																	
3 PLC	±																	
4 PLC	±																	
ANGLES	±																	
FINISH	-																	
MATERIAL		APPLICATION SPEC 114-13065	RESTRICTED TO															
		WEIGHT 8	SCALE 4:1 SHEET OF REV E															
		Customer Drawing																

Mouser Electronics

Authorized Distributor

Click to View Pricing, Inventory, Delivery & Lifecycle Information:

[TE Connectivity:](#)

[776522-4](#)