




PLUG	
PART NO.	ENG. NO.
03-09-2061	1261-P 
03-09-2062	1261-P1

RECEPTACLE	
PART NO.	ENG. NO.
03-09-1061	1261-R
03-09-1062	1261-R1
03-09-1063	1261-R2
03-09-1064	1261-R3
46999-0809	1261-R4
46999-0810	1261-R5

### LEGEND: PLUG

1261 - P \* \* \* - \* \* \*

P = PLUG

BLANK = PLUG WITH PREBENT MOUNTING EARS  
1 = PLUG WITHOUT MOUNTING EARS

COLOR: BLANK = NATURAL COLOR  
AM= AMBER BK= BLACK BU= BLUE  
BN= BROWN GY= GRAY GN= GREEN  
OR= ORANGE RD= RED YW= YELLOW

MATERIAL: BLANK = NYLON 6/6, UL94V-2

### LEGEND: RECEPTACLE

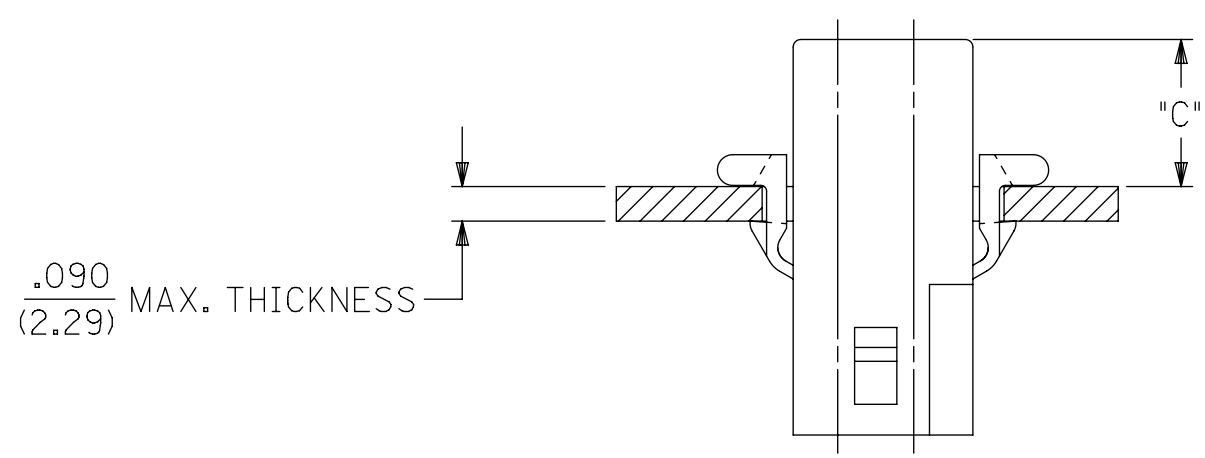
1261 - R \* \* \* - \* \* \*

R = RECEPTACLE

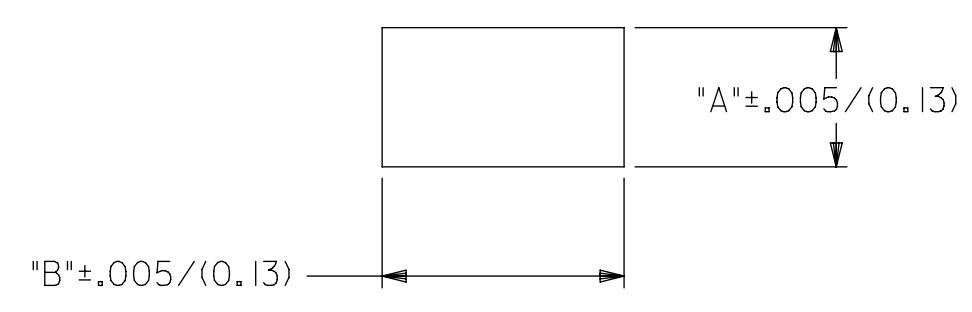
BLANK = WITH STD. MOUNTING EARS, WITH LOCK RAMP  
1 = WITH STD. MOUNTING EARS, WITHOUT LOCK RAMP  
2 = WITHOUT MOUNTING EARS, WITHOUT LOCK RAMP  
3 = WITHOUT MOUNTING EARS, WITH LOCK RAMP  
4 = WITH PREBENT MOUNTING EARS, WITH LOCK RAMP  
5 = WITH PREBENT MOUNTING EARS, WITHOUT LOCK RAMP

COLOR: BLANK = NATURAL COLOR  
AM= AMBER BK= BLACK BU= BLUE  
BN= BROWN GY= GRAY GN= GREEN  
OR= ORANGE RD= RED YW= YELLOW

MATERIAL: BLANK = NYLON 6/6, UL94V-2




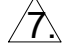
$\frac{.090}{(2.29)}$  MAX. THICKNESS

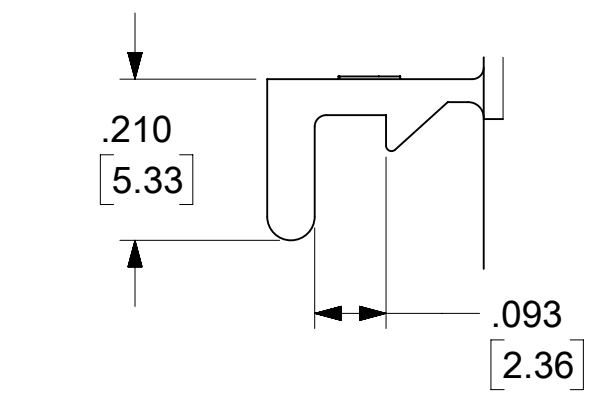
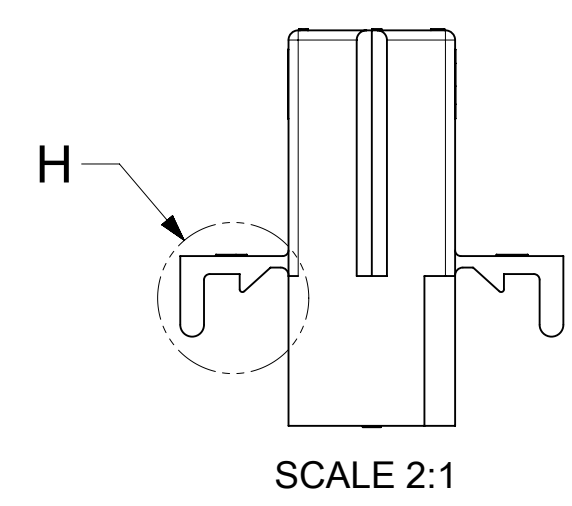


### MOUNTING HOLE CUTOUT

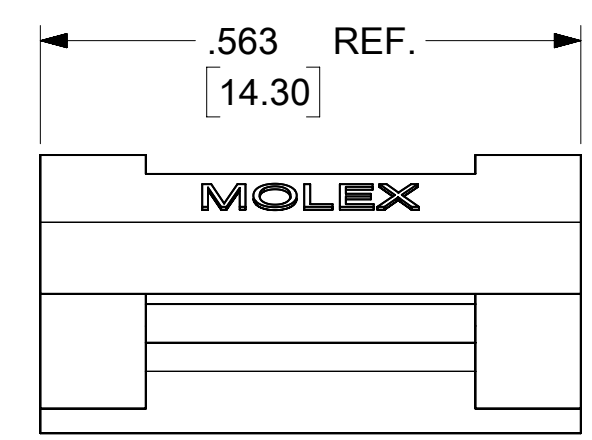
HOUSING	DIM. "A"	DIM. "B"	DIM. "C" (STD. EAR)	DIM. C (PREBENT)
PLUG	.750/(19.05)	.695/(17.65)	.39/(9.9)	.40/(10.1)
RECEPTACLE	.718/(18.24)	.600/(15.24)	.40/(10.1)	.41/(10.3)

### NOTES:

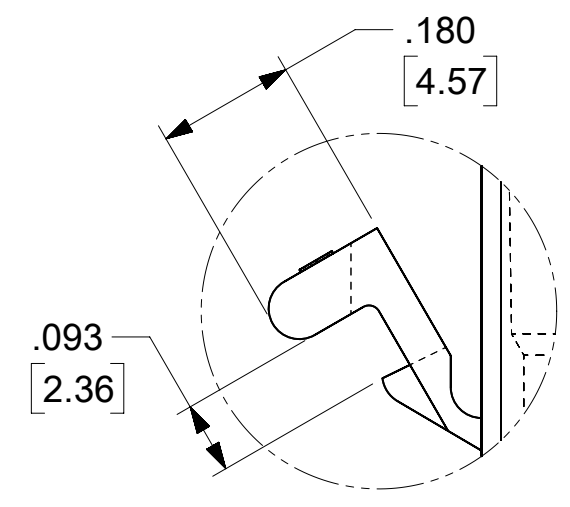
1. MATERIAL: SEE LEGEND
2. FINISH: NONE
3. PRODUCT SPECIFICATION: PS-43660-9999
4. PACKAGING INFORMATION: PK-1261-001
5. HOUSINGS FOR USE WITH MOLEX .093/(2.36) PIN AND SOCKET TERMINALS.
6.  CIRCUIT I.D. NUMBERS ON SIDE OF HOUSING APPEAR ON PARTS FROM TOOLS BUILT AFTER 9/3/91.
7.  WHERE DENOTED IN CHART, TOOLS ARE BUILT WITH PREBENT MOUNTING EARS PER DETAIL E AND SUPERSEDE ALL TOOLS PREVIOUSLY BUILT WITH THE STANDARD MOUNTING EARS.
8. TEXT AND CIRCUIT IDENTIFIERS ARE SHOWN IN APPROXIMATE LOCATION BUT MAY VARY TO ACCOMODATE TOOLING.
9. THIS PART CONFORMS TO CLASS B REQUIREMENTS OF COSMETIC SPECIFICATION PS-45499-002.
10. THIS DRAWING REPLACES SD-1261-\*



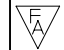


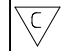
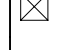
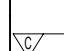

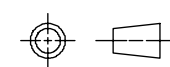
DETAIL H  
SCALE 4:1  
.093/(2.36) STANDARD MOUNTING EAR



DETAIL G  
SCALE 5:1



DETAIL E  
SCALE 4:1  
.093/(2.36) PREBENT MOUNTING EAR

QUALITY SYMBOLS	THIS DRAWING CONTAINS INFORMATION THAT IS PROPRIETARY TO MOLEX ELECTRONIC TECHNOLOGIES, LLC AND SHOULD NOT BE USED WITHOUT WRITTEN PERMISSION			
	GENERAL TOLERANCES (UNLESS SPECIFIED)		DIMENSION UNITS	SCALE
 = 0	MM INCH		IN/MM	1:1
 = 0	4 PLACES ± ±		DRWN BY	DATE
 = 0	3 PLACES ± ± 0.007		BAPPELDORN	2017/01/11
 = 0	2 PLACES ± 0.18 ± 0.01		CHK'D BY	DATE
 = 0	1 PLACES ± 0.25 ±		MKIPPER	2017/01/11
 = 0	0 PLACES ± ±		APPR BY	DATE
 = 0	ANGULAR TOL ±		FSMITH	2017/01/18
= 0	DRAFT WHERE APPLICABLE MUST REMAIN WITHIN DIMENSIONS		DRAWING SIZE	THIRD ANGLE PROJECTION
= 0	A1		C	
UPDATE VIEWS			SERIES	
EC NO: 114311	DRWN: MKIPPER	CHKD: JDFOX	APPR: FSMITH	1261
2017/03/09	2017/04/06	2017/04/07	MATERIAL NUMBER	
MATERIAL NUMBER			CUSTOMER	
SEE CHART			GENERAL MARKET	
DOCUMENT NUMBER			DOC TYPE	DOC PART
12610000-SD			PSD	000
SHEET NUMBER			SHEET NUMBER	
2 OF 2			2 OF 2	