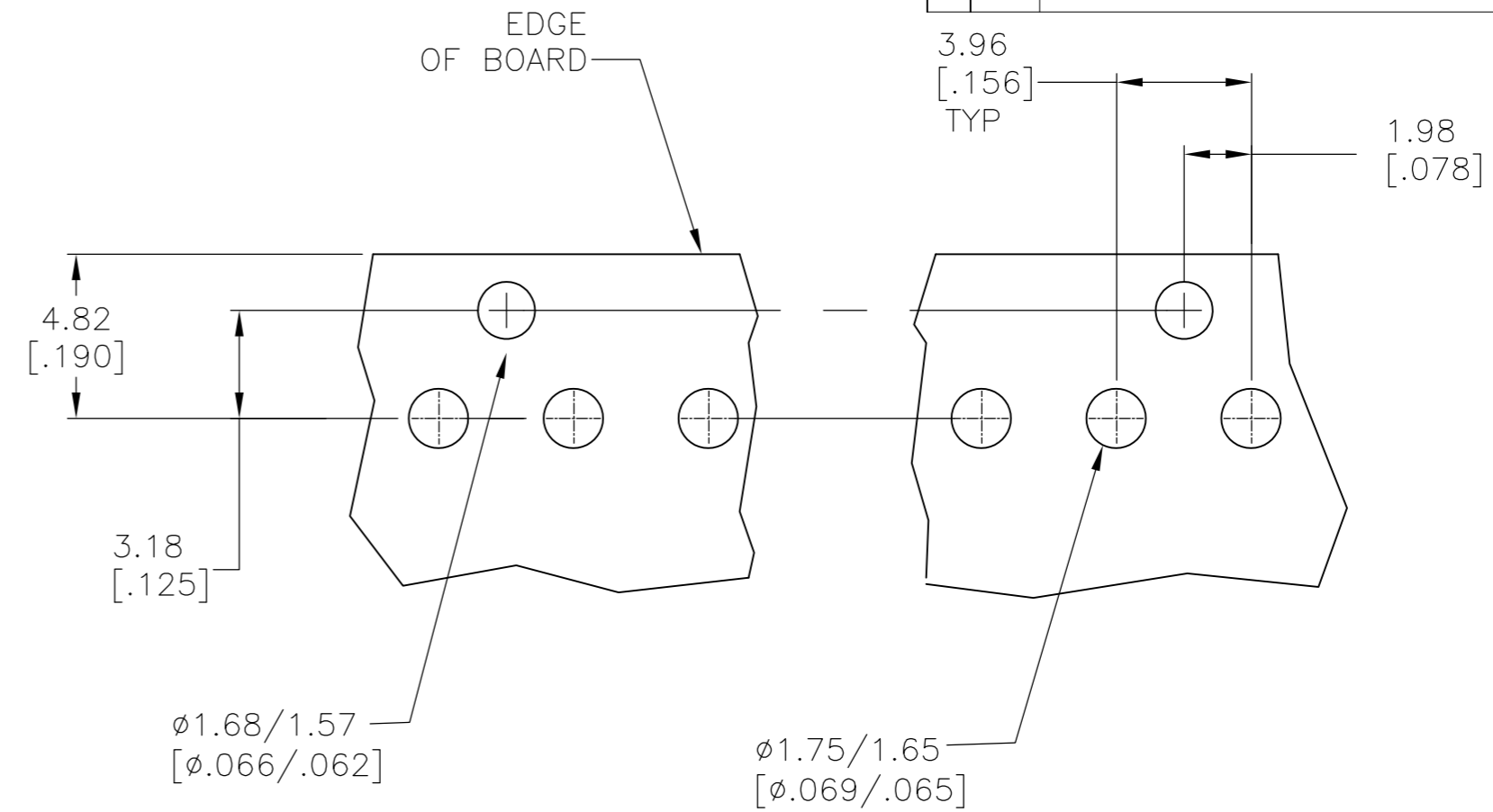
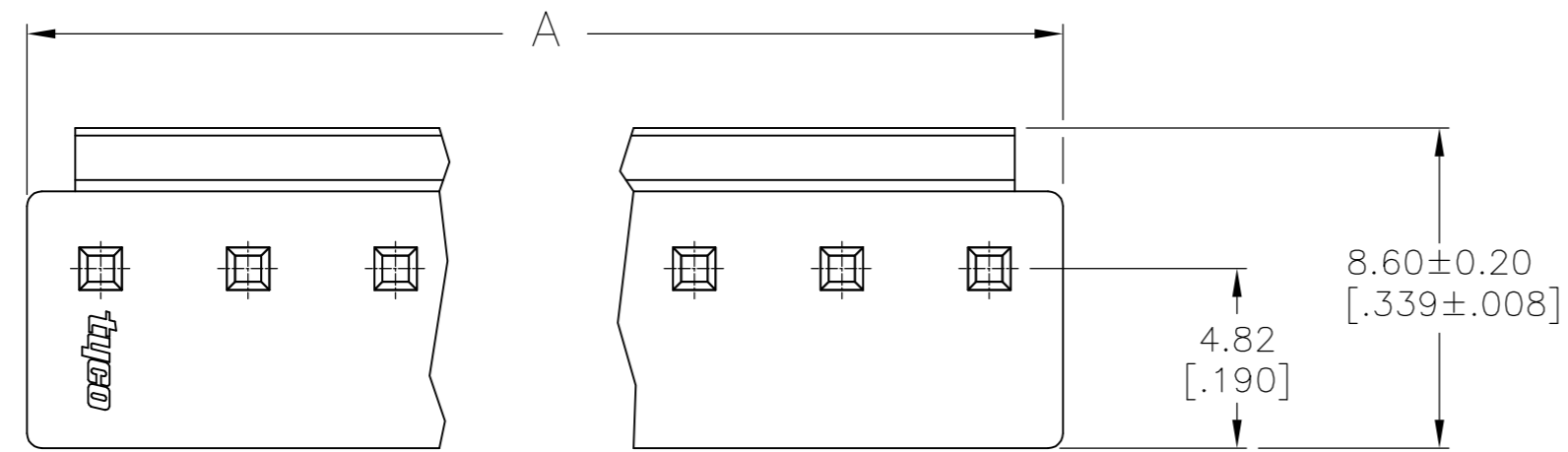
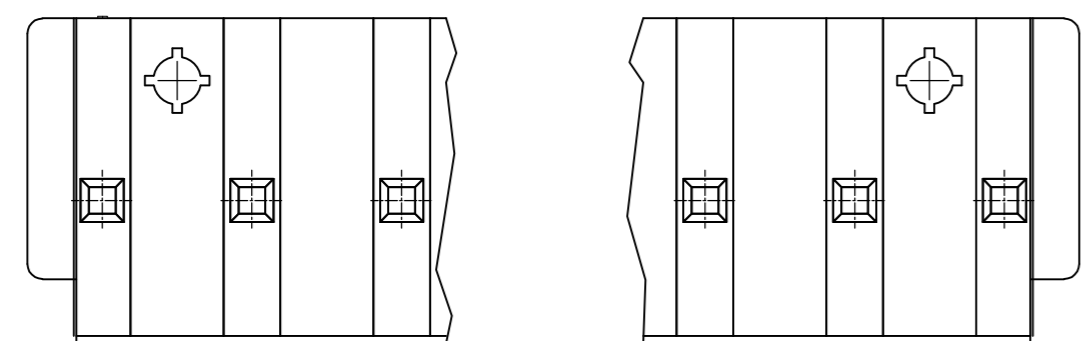
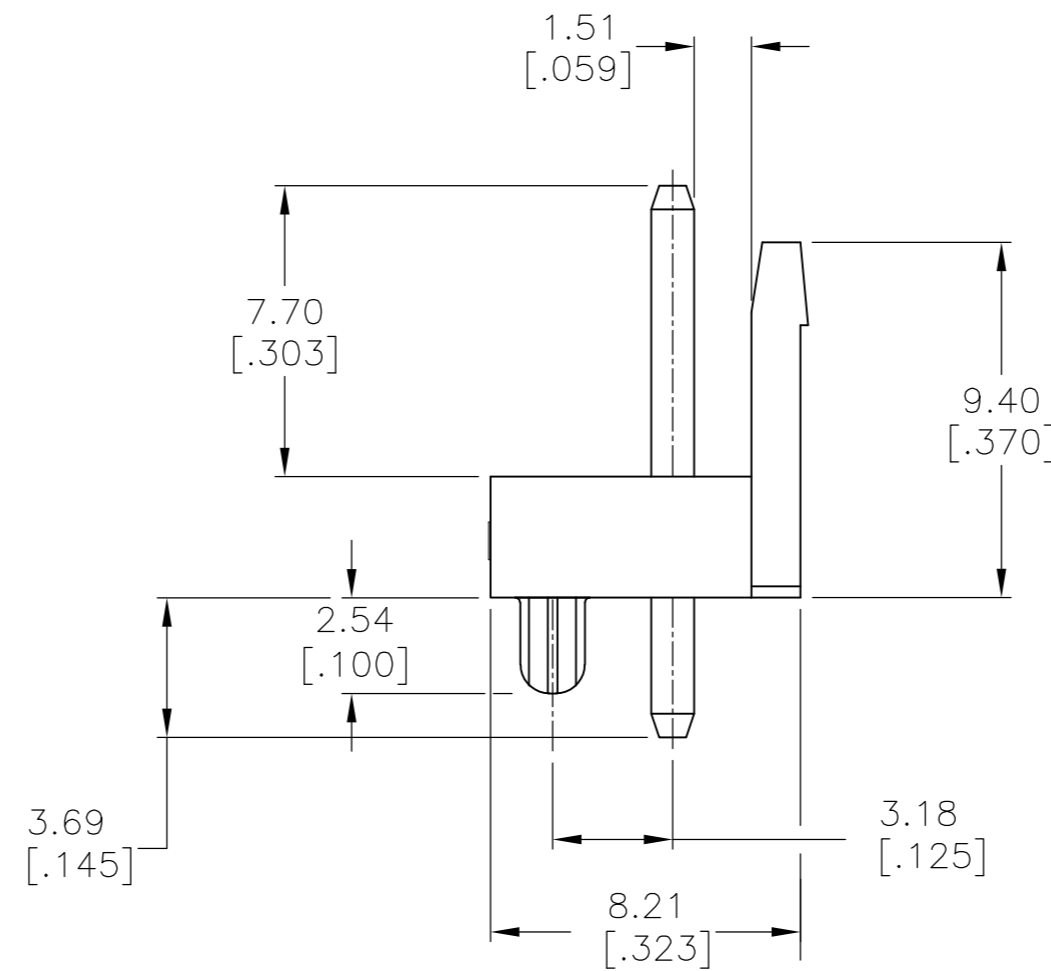
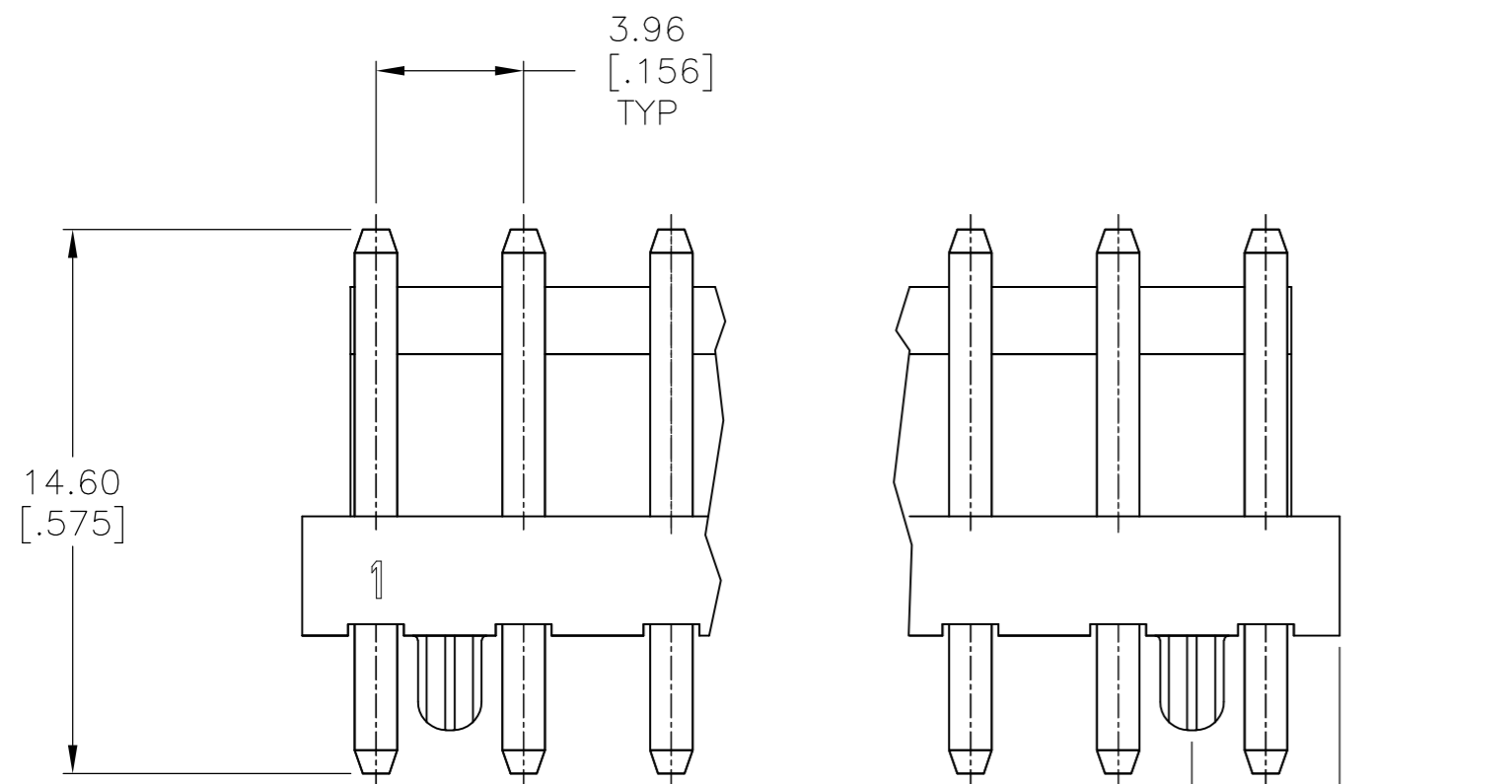


THIS DRAWING IS UNPUBLISHED. RELEASED FOR PUBLICATION
 © COPYRIGHT By - ALL RIGHTS RESERVED.

| REVISIONS | | | | | |
|-----------|-----|---------------------------|---------|-----|------|
| P | LTR | DESCRIPTION | DATE | DWN | APVD |
| D1 | | REVISED PER ECR-16-017535 | 16JAN17 | O.C | D.Z |



RECOMMENDED MOUNTING HOLE PATTERN FOR 1.6 [.063] THICK PC BOARD



- 1 HOUSING MATERIAL: NYLON 66 UL94V-0.
- 2 CONTACT MATERIAL: BRASS.
- 3 CONTACT PLATING: .003 [.000120] MIN TIN OVER .001 [.000039] NICKEL.
- 4 2 POSITION HAS 1 PEG, ALL OTHERS HAVE 2 PEGS.

| NO. OF POSITIONS | COLOR | mm | IN | PART NUMBER |
|------------------|---------|-------|---------|-------------|
| 6 | RED | 23.76 | [0.935] | 4-1744057-6 |
| 5 | YELLOW | 19.80 | [0.780] | 4-1744057-5 |
| 3 | YELLOW | 11.88 | [0.468] | 4-1744057-3 |
| 7 | BLUE | 27.72 | [1.091] | 2-1744057-7 |
| 12 | NATURAL | 47.52 | [1.871] | 1-1744057-2 |
| 11 | NATURAL | 43.56 | [1.715] | 1-1744057-1 |
| 10 | NATURAL | 39.60 | [1.559] | 1-1744057-0 |
| 9 | NATURAL | 35.64 | [1.403] | 1744057-9 |
| 8 | NATURAL | 31.68 | [1.247] | 1744057-8 |
| 7 | NATURAL | 27.72 | [1.091] | 1744057-7 |
| 6 | NATURAL | 23.76 | [0.935] | 1744057-6 |
| 5 | NATURAL | 19.80 | [0.780] | 1744057-5 |
| 4 | NATURAL | 15.84 | [0.624] | 1744057-4 |
| 3 | NATURAL | 11.88 | [0.468] | 1744057-3 |
| 2 | NATURAL | 7.92 | [0.312] | 1744057-2 |

THIS DRAWING IS A CONTROLLED DOCUMENT.

DWN: S. HOOVER 01-APR-2004
 CHK: J. ELLIS 01-APR-2004
 APVD: J. ELLIS 01-APR-2004

DIMENSIONS: mm [INCHES]
 TOLERANCES UNLESS OTHERWISE SPECIFIED:
 0 PLC ±
 1 PLC ±
 2 PLC ±
 3 PLC ± 0.13 [.005]
 4 PLC ±
 ANGLES ±
 FINISH

MATERIAL: SEE NOTES

TE Connectivity
 NAME: HEADER ASSEMBLY-ECONOMY POWER VERTICAL, W/RETENTION PEGS
 SIZE: A2 CAGE CODE: 00779 DRAWING NO: 1744057 RESTRICTED TO: -
 SCALE: 5:1 SHEET: 1 OF 1 REV: D1

Mouser Electronics

Authorized Distributor

Click to View Pricing, Inventory, Delivery & Lifecycle Information:

[TE Connectivity:](#)

[1744057-8](#)