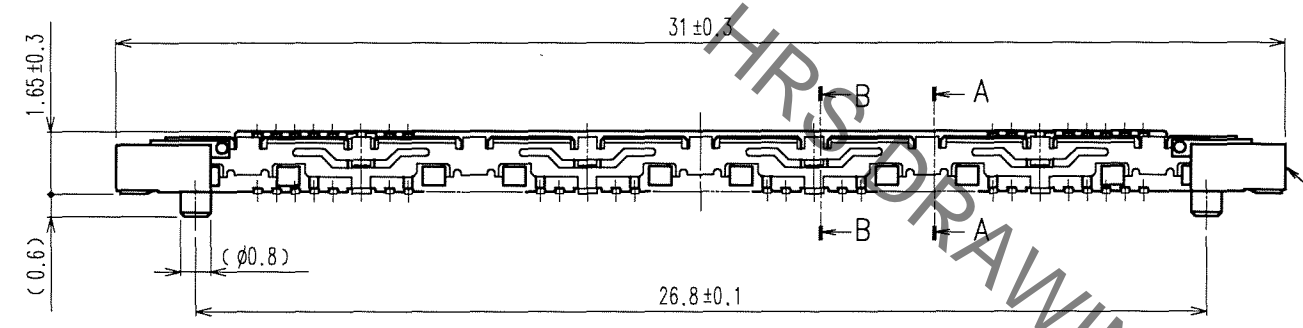
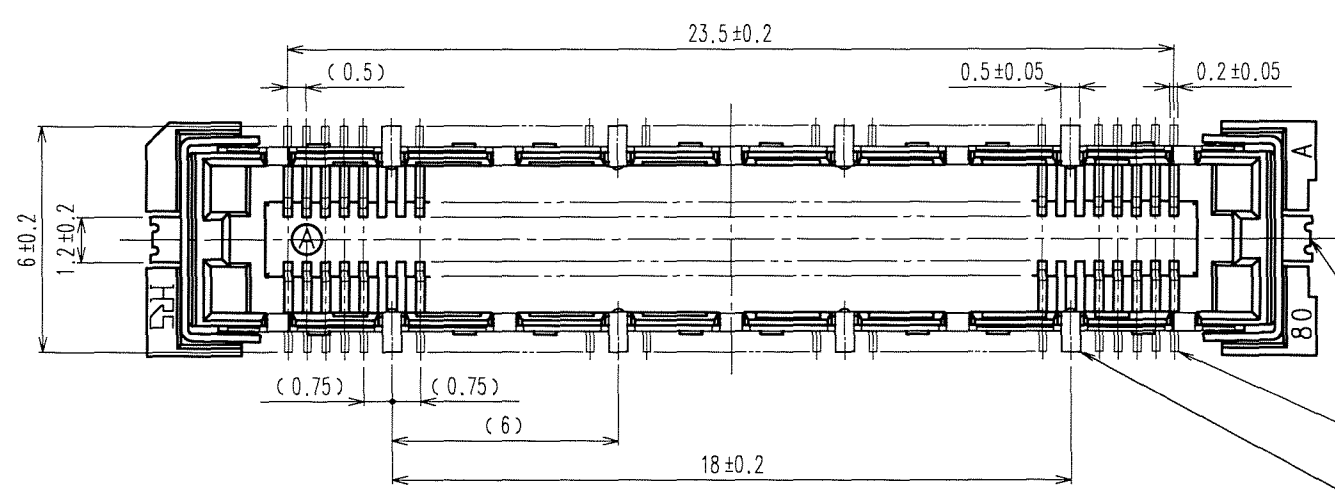


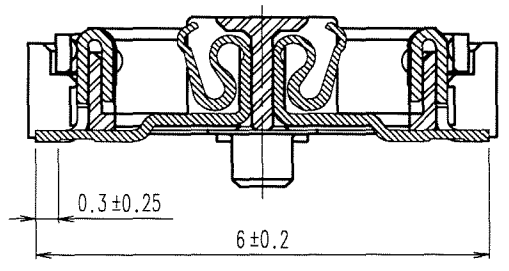
Oct.1.2020 Copyright 2020 HIROSE ELECTRIC CO., LTD. All Rights Reserved.
 of consideration for using Automotive equipment / device which demand high reliability, kindly contact our sales window correspondents.

1 2 3 4 5 6 7 8

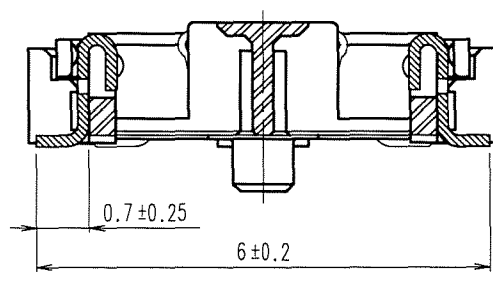
COUNT	DESCRIPTION OF REVISIONS	BY	CHKD	DATE	COUNT	DESCRIPTION OF REVISIONS	BY	CHKD	DATE
△					△				
△					△				
△					△				



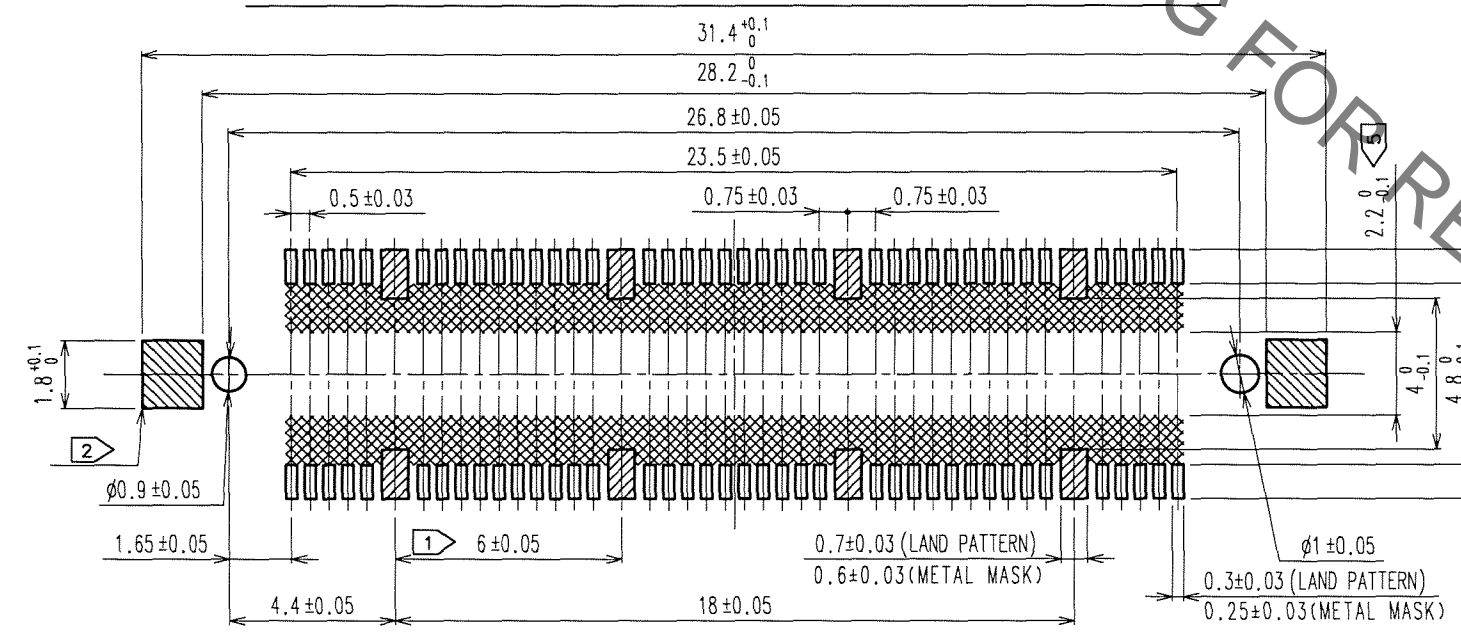
A-A (10:1)



B-B (10:1)



RECOMMENDED LAND PATTERN DIMENSION OF PCB



- NOTES
- ① 8 HATCHED PARTS: GROUND CIRCUIT.
 - ② 2 HATCHED PARTS: GROUND CIRCUIT.
 - ③ SMT LEAD-COPLANARITY: 0.1 MAX.
 - ④ THIS PRODUCT HAS NO POLARITY TO PATTERN FOR MOUNTING.
 - ⑤ MAKE SURE WIDTH OF PATTERN IS WITHIN THAT OF LAND, OR LEAD MAY TOUCH PATTERN. (THIS APPLIES TO HATCHED AREA.)
 - ⑥ THE DIMENSIONS IN PARENTHESES ARE FOR REFERENCE.

4	PHOSPHOR BRONZE	TIN-PLATING								CONTACT AREA: GOLD 0.1μm min.
3	PHOSPHOR BRONZE	TIN-PLATING		2	PHOSPHOR BRONZE					LEAD AREA: GOLD FLASH
1	LCP	BEIGE UL94V-0								UNDER PLATING: NICKEL 1μm min.
NO.	MATERIAL	FINISH, REMARKS	NO.	MATERIAL	FINISH, REMARKS					

CODE NO. (OLD)	DRAWN	DESIGNED	CHECKED	APPROVED	RELEASED
CL	K. NAKAMURA	K. NAKAMURA	X. Ozawa	T. Okawa	
	06.04.25	06.04.25	'06.04.25	06.04.26	

SCALE	DRAWING NO.	PART NO.
5 : 1	EDC3-152109-25	FX11LA-80S/8-SV(71)
UNITS	HIROSE ELECTRIC CO., LTD.	CODE NO.
mm		CL573-0103-4-71

1 2 3 4 5 6 7 8