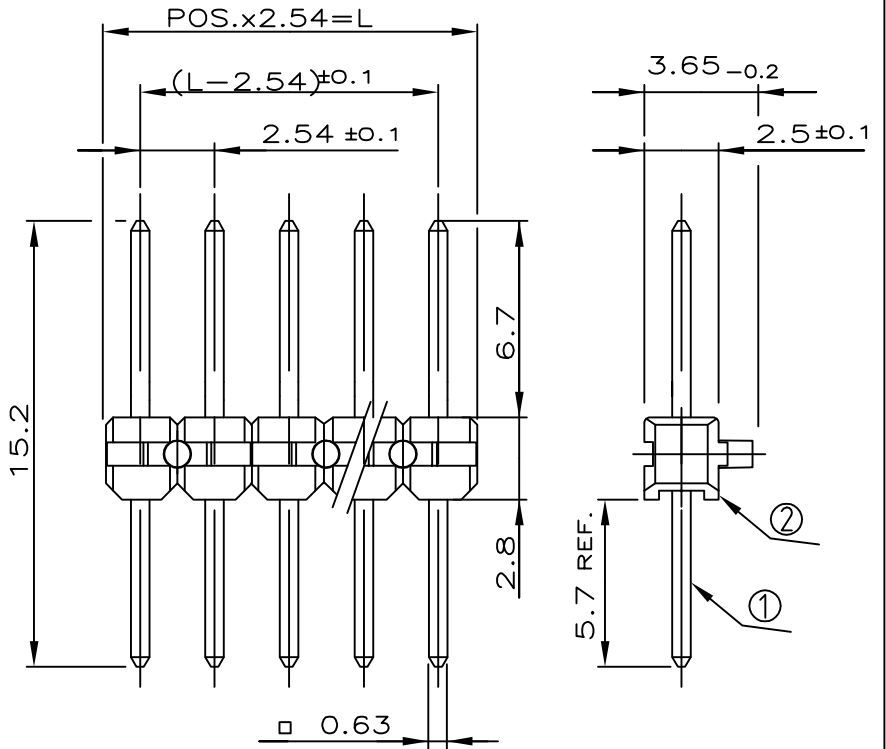


REVISIONS

P	LTR	DESCRIPTION	DATE	DWN	APVD
E		Contact material change from CuSn to CuZn	19SEP2017	KJK	PS

POS.	L±0.5	PART NUMBER
-	-	-
2	5.08	827312 -2
3	7.62	-3
4	10.16	-4
5	12.70	-5
6	15.24	-6
7	17.78	-7
8	20.32	-8
9	22.86	-9
10	25.40	1- -0
11	27.94	1- -1
12	30.48	1- -2
13	33.02	1- -3
14	35.56	1- -4
15	38.10	1- -5
16	40.64	1- -6
17	43.18	1- -7
18	45.72	1- -8
19	48.26	1- -9
20	50.80	2- -0
21	53.34	2- -1 \triangle
22	55.88	2- 2 \triangle
23	58.42	2- 3 \triangle
24	60.96	2- 4 \triangle
25	63.50	2- 5 \triangle
26	66.04	2- 6 \triangle
27	68.58	2- 7 \triangle
28	71.12	2- 8 \triangle
29	73.66	2- 9 \triangle
30	76.20	3- 0 \triangle
31	78.74	3- 1 \triangle
32	81.28	3- 2 \triangle
33	83.82	3- 3 \triangle
34	86.36	3- 4 \triangle
35	88.90	3- 5 \triangle
36	91.44	3- 6 \triangle
37	93.98	3- 7 \triangle
38	96.52	3- 8 \triangle
39	99.06	3- 9 \triangle
40	101.60	4- 0 \triangle
41	104.14	4- 1 \triangle
42	106.68	4- 2 \triangle
43	109.22	4- 3 \triangle
44	111.76	4- 4 \triangle
45	114.30	4- 5 \triangle
46	116.84	4- 6 \triangle
47	119.38	4- 7 \triangle
48	121.92	4- 8 \triangle
49	124.46	4- 9 \triangle
50	127.00	5- 827312 -0



NOTES:

- \triangle MIN. 3 μ m TIN OVER 1.27 μ m NICKEL
- \triangle OBSOLETE

PIN HOUSING	PCT	BLACK	2
CONTACT PIN	CuZn	\triangle	1
DESCRIPTION	MATERIAL	COLOR/FINISH	ITEM NUM

RELEASED FOR PUBLICATION

ALL RIGHTS RESERVED.

THIS DRAWING IS UNPUBLISHED.

© COPYRIGHT - TE Connectivity

DIMENSIONS: mm TOLERANCES UNLESS OTHERWISE SPECIFIED: ±0.2mm 0 PLC ± - 1 PLC ± - 2 PLC ± - 3 PLC ± - 4 PLC ± - ANGLES ± -	DWN KREPP 13.02.79	MATERIAL -	FINISH -
	CHK HOWEL 16.02.79	TE Connectivity	
APVD KOURIMSKY 09.04.81	NAME AMPMODU II PIN HEADER SINGLE ROW		
PRODUCT SPEC 108-18012	SIZE A4	CAGE CODE 00779	DRAWING NO C=827312
APPLICATION SPEC -	RESTRICTED TO -		
WEIGHT	CUSTOMER DRAWING		
	SCALE 4:1	SHEET 1 OF 1	REV E

Mouser Electronics

Authorized Distributor

Click to View Pricing, Inventory, Delivery & Lifecycle Information:

[TE Connectivity:](#)

[827312-2](#)