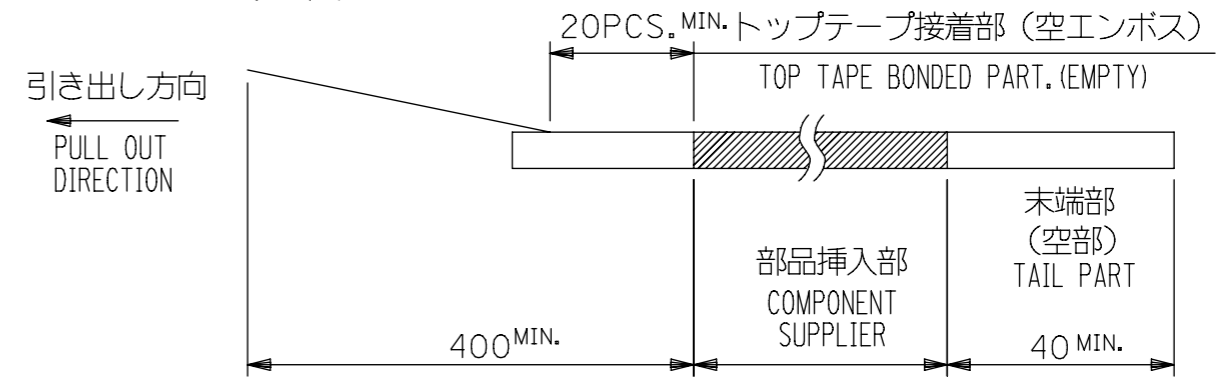


NOTES

- 製品詳細寸法については製品単体図面を参照下さい。  
RE DETAILED DIMENSION, SEE PRODUCT DRAWING.
- 梱包数量：2500個/リール  
NUMBER OF CONNECTORS : 2500PCS/REEL
- リードテープ長さ LEAD TAPE LENGTH



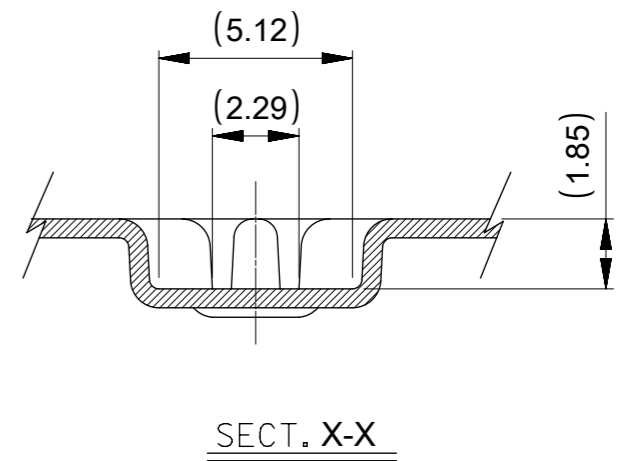
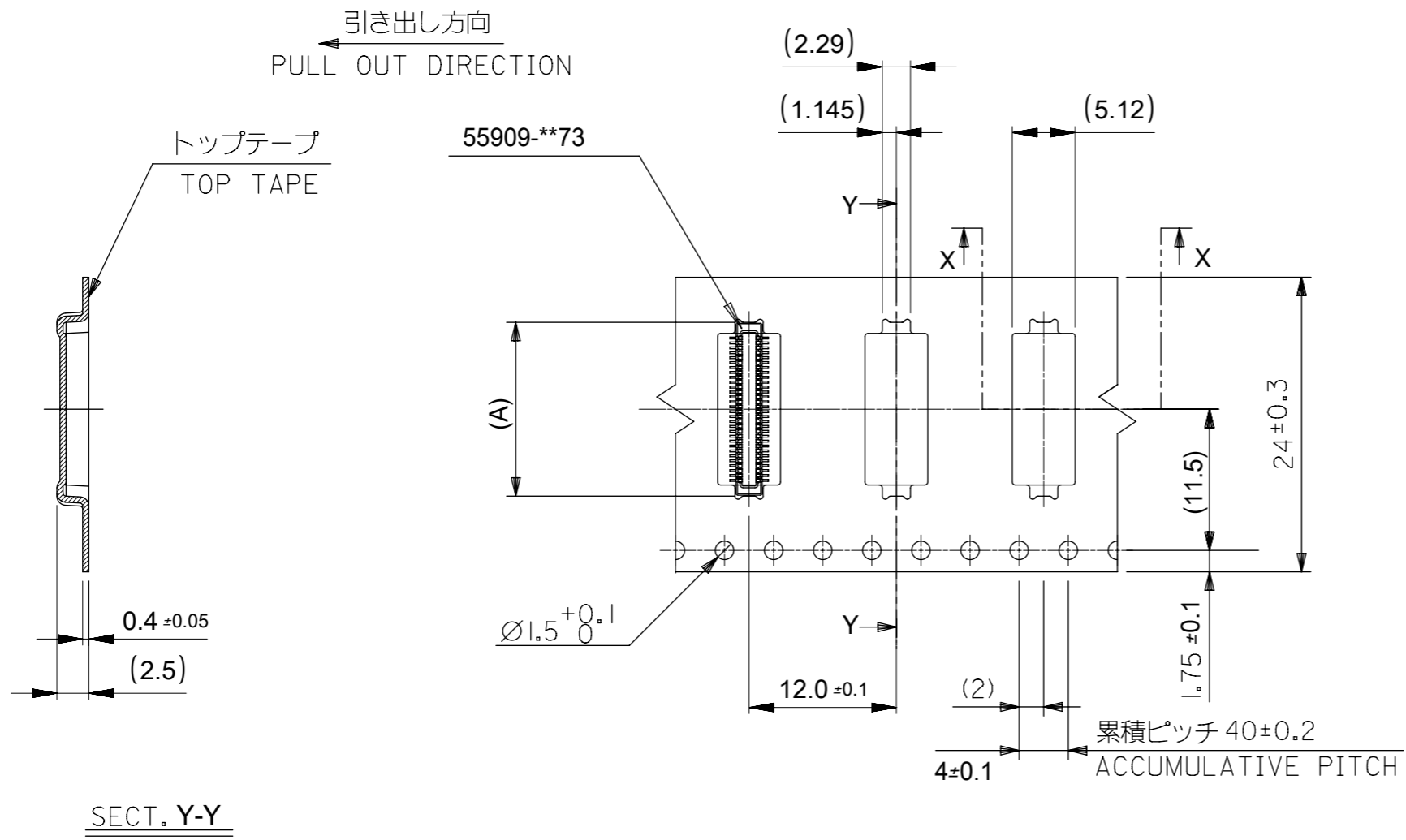
- 材料 MATERIAL  
キャリアテープ (CARRIER TAPE) : POLYSTYRENE  
トップテープ (TOPTAPE) : PET , PE , PEF  
リール (REEL) : ポリスチレン (P S) <リサイクル材を含む>  
POLYSTYRENE (PS) <RECYCLE MATERIAL CONTAINED>

- ELV 及び RoHS 適合品。  
ELV AND RoHS COMPLIANT.

6. THIS DRAWING IS RE-DRAWING OF SD-55909-004 REV.J

CONNECTOR SERIES No. 55909-\*\*73

<b>QUALITY SYMBOLS</b> ▽A = 0 ▽E = 0 ▽F = 0 ▼ = 0 ▽C = 0 ⊠ = 0 ■ = 0 ▽ = 0	THIS DRAWING CONTAINS INFORMATION THAT IS PROPRIETARY TO MOLEX ELECTRONIC TECHNOLOGIES, LLC AND SHOULD NOT BE USED WITHOUT WRITTEN PERMISSION													
	EC NO: 605528 DRWN: JHCHANG CHK'D: KSKIM APPR: YSKIM02	2018/10/08		2018/10/08		2018/10/09		GENERAL TOLERANCES (UNLESS SPECIFIED)		DIMENSION UNITS		SCALE		
		ANGULAR TOL ± 1.0 °		4 PLACES ± 0.1		3 PLACES ± 0.1		2 PLACES ± 0.1		1 PLACE ± 0.1		0 PLACES ± 0.1		
		DRWN BY		DATE		JHCHANG		2017/11/13		CHK'D BY		DATE		
		KSKIM		2018/10/08		APPR BY		DATE		YSKIM02		2018/10/09		
		DRAWING SIZE		THIRD ANGLE PROJECTION		A3								
	DRAFT WHERE APPLICABLE MUST REMAIN WITHIN DIMENSIONS													
													0.4B/B CONN PLUG ASSY(H=1.5) EMBSTP PKG	
	SERIES		MATERIAL NUMBER		CUSTOMER		55909		SEE CHART		GENERAL			
DOCUMENT NUMBER				DOC TYPE		DOC PART		SHEET NUMBER		559090074		PSD 000 1 OF 5		

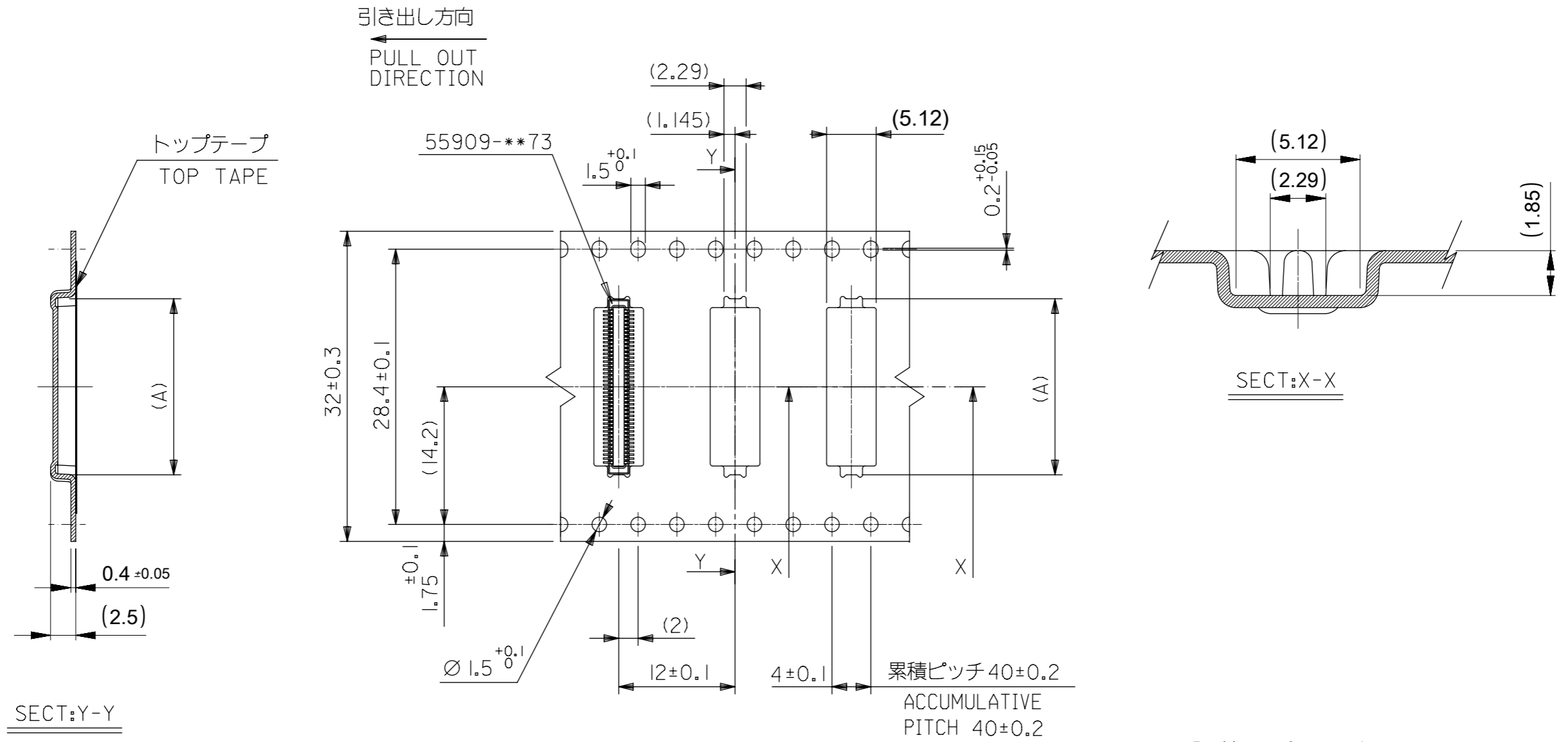


注記)製品がポケット内に問題なく収まること。  
NOTE. Pocket should contain product smoothly.

24	29.4	25.4	14.16	55909-0674	60		
			12.16	55909-0574	50		
			10.16	55909-0474	40		
			8.96	55909-3474	34		
			8.16	55909-0374	30		
			7.36	55909-2674	26		
			6.96	55909-2474	24		
			6.56	55909-2274	22		
			6.16	55909-0274	20		
キャリアテープ幅 CARRIER TAPE WIDTH			C	B	(A)	MATERIAL NO.	CKT

CONNECTOR SERIES No. 55909-\*\*73

<b>QUALITY SYMBOLS</b> ▽A = 0 ▽E = 0 ▽F = 0 ▼ = 0 ▽C = 0 ⊠ = 0 ■ = 0 ▽ = 0	THIS DRAWING CONTAINS INFORMATION THAT IS PROPRIETARY TO MOLEX ELECTRONIC TECHNOLOGIES, LLC AND SHOULD NOT BE USED WITHOUT WRITTEN PERMISSION				DIMENSION UNITS: mm SCALE: 2:1					
	EC NO: 605528 DRWN: JHCHANG CHK'D: KSKIM APPR: YSKIM02		GENERAL TOLERANCES (UNLESS SPECIFIED) ANGULAR TOL ± 1.0 ° 4 PLACES ± 0.1 3 PLACES ± 0.1 2 PLACES ± 0.1 1 PLACE ± 0.1 0 PLACES ± 0.1		DRWN BY: JHCHANG DATE: 2017/11/13 CHK'D BY: KSKIM DATE: 2018/10/01 APPR BY: YSKIM02 DATE: 2018/10/09					
	DRAFT WHERE APPLICABLE MUST REMAIN WITHIN DIMENSIONS				DRAUGHTING SIZE: A3 THIRD ANGLE PROJECTION		PRODUCT CUSTOMER DRAWING			
	SERIES: 55909		MATERIAL NUMBER: SEE CHART		CUSTOMER: GENERAL					
	DOCUMENT NUMBER: 559090074				DOC TYPE: PSD		DOC PART: 000		SHEET NUMBER: 2 OF 5	



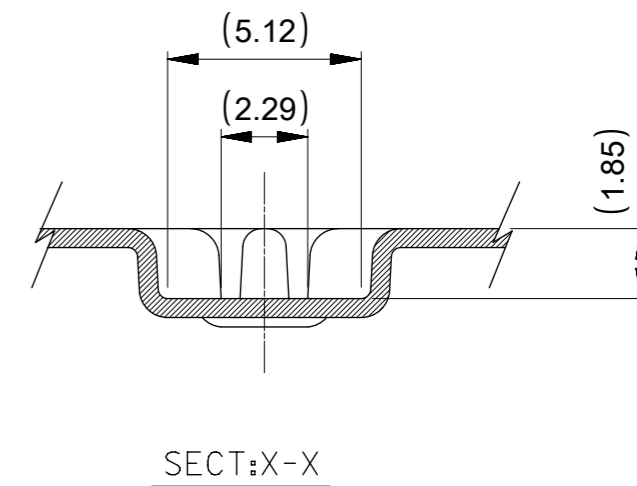
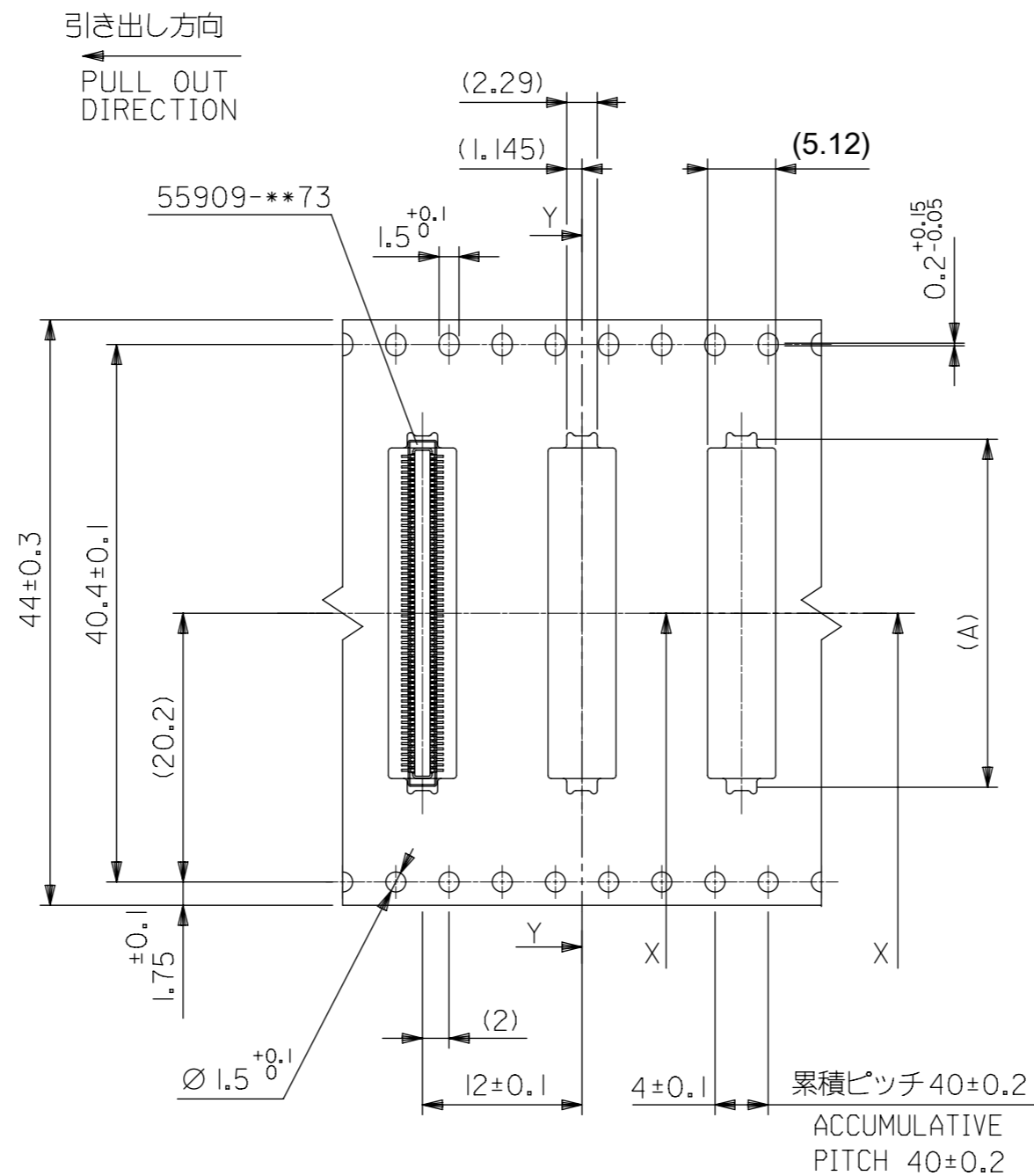
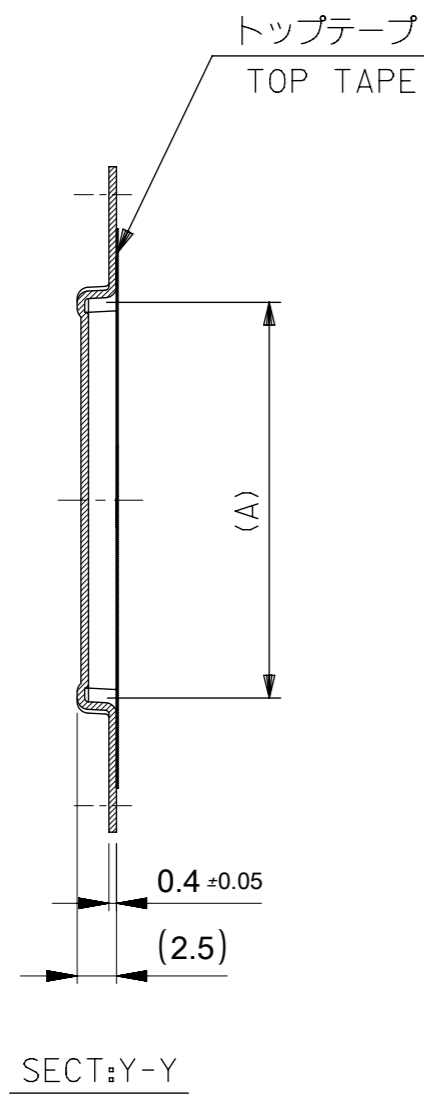
注記)製品がポケット内に問題なく収まること。  
NOTE. Pocket should contain product smoothly.

32mm幅キャリアテープ  
32mm WIDTH CARRIER TAPE

32	37.4	33.4	19.16	55909-0974	90
			18.16	55909-0874	80
			16.16	55909-0774	70
キャリアテープ幅 CARRIER TAPE WIDTH	C	B	(A)	MATERIAL NO.	極数 CKT.

CONNECTOR SERIES No. 55909-\*\*73

<b>QUALITY SYMBOLS</b> ▽A = 0 ▽E = 0 ▽F = 0 ▼ = 0 ▽C = 0 ⊠ = 0 ■ = 0 ▽ = 0	THIS DRAWING CONTAINS INFORMATION THAT IS PROPRIETARY TO MOLEX ELECTRONIC TECHNOLOGIES, LLC AND SHOULD NOT BE USED WITHOUT WRITTEN PERMISSION		DIMENSION UNITS <b>mm</b>	SCALE <b>2:1</b>				
	DRWN BY <b>JHCHANG</b>	DATE <b>2017/11/13</b>	GENERAL TOLERANCES (UNLESS SPECIFIED) ANGULAR TOL ± 1.0 °			<b>0.4B/B CONN PLUG ASSY(H=1.5) EMBSTP PKG</b>		
	CHK'D BY <b>KSKIM</b>	DATE <b>2018/10/01</b>	4 PLACES ± 0.1 3 PLACES ± 0.1 2 PLACES ± 0.1 1 PLACE ± 0.1 0 PLACES ± 0.1	PRODUCT CUSTOMER DRAWING				
	APPR BY <b>YSKIM02</b>	DATE <b>2018/10/09</b>	DRAFT WHERE APPLICABLE MUST REMAIN WITHIN DIMENSIONS	SERIES <b>55909</b>			MATERIAL NUMBER <b>SEE CHART</b>	CUSTOMER <b>GENERAL</b>
	EC NO.: 605528 DRWN: JHCHANG CHK'D: KSKIM APPR: YSKIM02	DATE: 2018/10/08 DATE: 2018/10/08 DATE: 2018/10/09	DRAWING SIZE <b>A3</b>	THIRD ANGLE PROJECTION 			DOCUMENT NUMBER <b>559090074</b>	DOC TYPE <b>PSD</b>



44mm幅キャリアテープ  
44mm WIDTH CARRIER TAPE

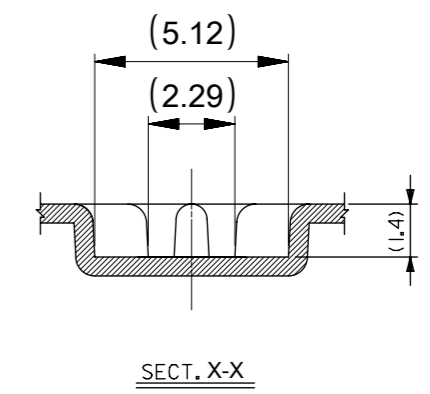
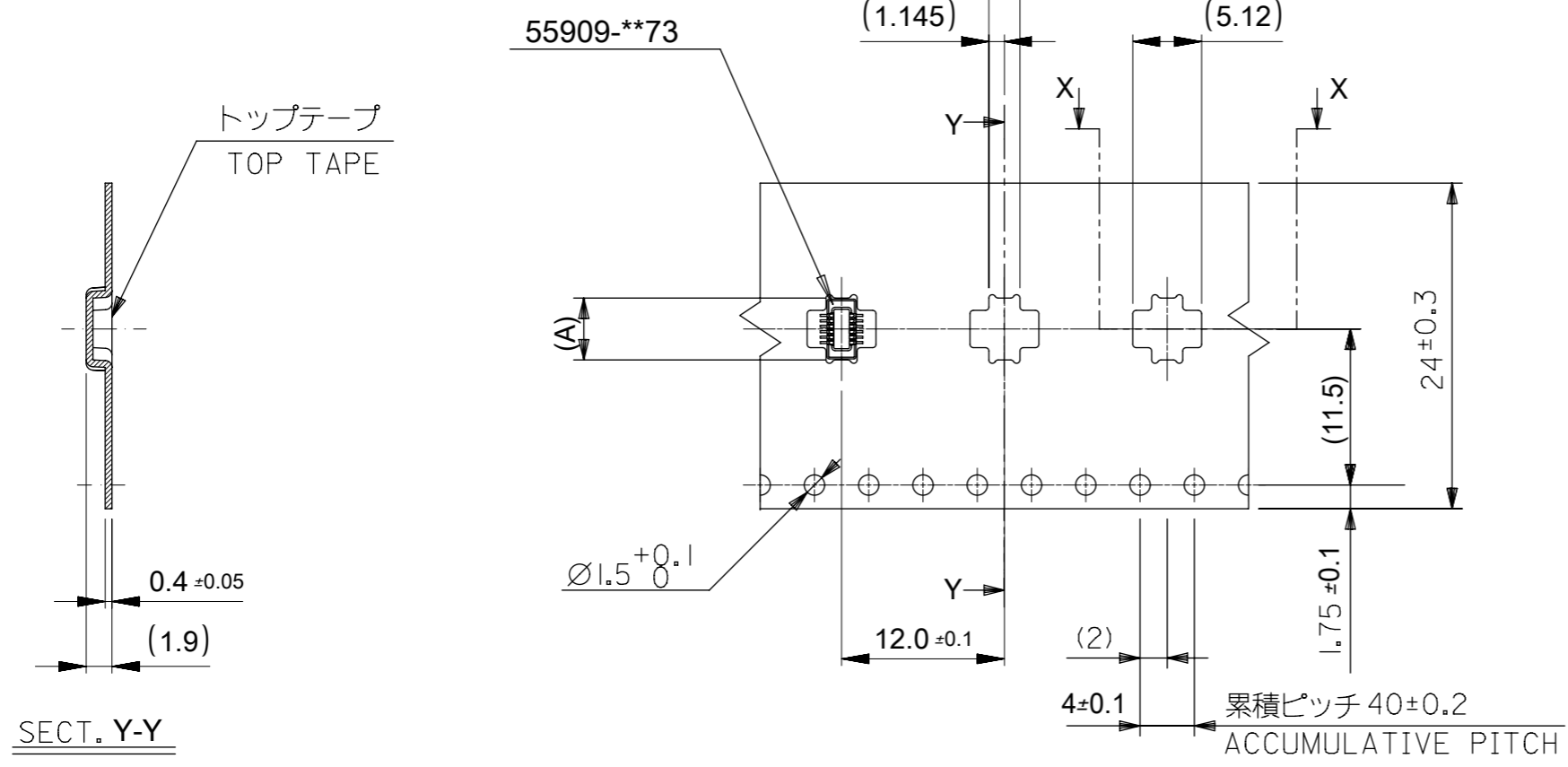
注記)製品がポケット内に問題なく収まること。  
NOTE. Pocket should contain product smoothly.

44	49.4	45.4	22.16	55909-1074	100
キャリアテープ幅 CARRIER TAPE WIDTH	C	B	(A)	MATERIAL NO.	極数 CKT.

CONNECTOR SERIES No. 55909-\*\*\*73

<b>QUALITY SYMBOLS</b> ▽A = 0 ▽E = 0 ▽F = 0 ▼ = 0 ▽C = 0 ⊗ = 0 ■ = 0 ▽ = 0	THIS DRAWING CONTAINS INFORMATION THAT IS PROPRIETARY TO MOLEX ELECTRONIC TECHNOLOGIES, LLC AND SHOULD NOT BE USED WITHOUT WRITTEN PERMISSION		DIMENSION UNITS <b>mm</b>	SCALE <b>2:1</b>						
	EC NO: 605528 DRWN: JHCHANG CHK'D: KSKIM APPR: YSKIM02	2018/10/08 2018/10/08 2018/10/09	GENERAL TOLERANCES (UNLESS SPECIFIED) ANGULAR TOL ± 1.0 °	DRWN BY <b>JHCHANG</b>		DATE <b>2017/11/13</b>	<b>0.4B/B CONN PLUG ASSY(H=1.5) EMBSTP PKG</b>			
	DRAFT WHERE APPLICABLE MUST REMAIN WITHIN DIMENSIONS		4 PLACES ± 0.1 3 PLACES ± 0.1 2 PLACES ± 0.1 1 PLACE ± 0.1 0 PLACES ± 0.1	CHK'D BY <b>KSKIM</b>		DATE <b>2018/10/01</b>				
	<b>A3</b>		DRAFT WHERE APPLICABLE MUST REMAIN WITHIN DIMENSIONS	APPR BY <b>YSKIM02</b>		DATE <b>2018/10/09</b>				
<b>RELEASE STATUS</b> P1 <b>RELEASE DATE</b> 2018/10/09 23:37:36		<b>DRAWING SIZE</b> <b>A3</b>		<b>THIRD ANGLE PROJECTION</b>		<b>PRODUCT CUSTOMER DRAWING</b>				
			SERIES <b>55909</b>	MATERIAL NUMBER <b>SEE CHART</b>	CUSTOMER <b>GENERAL</b>	DOCUMENT NUMBER <b>559090074</b>		DOC TYPE <b>PSD</b>	DOC PART <b>000</b>	SHEET NUMBER <b>4 OF 5</b>

引き出し方向  
PULL OUT DIRECTION

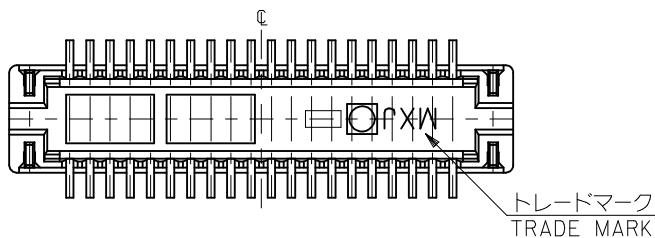
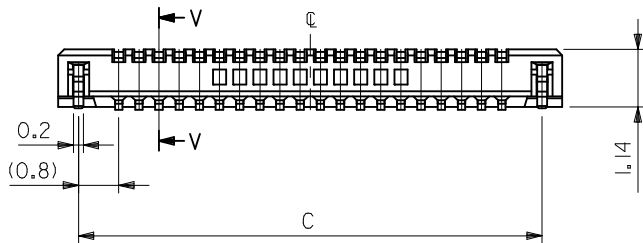
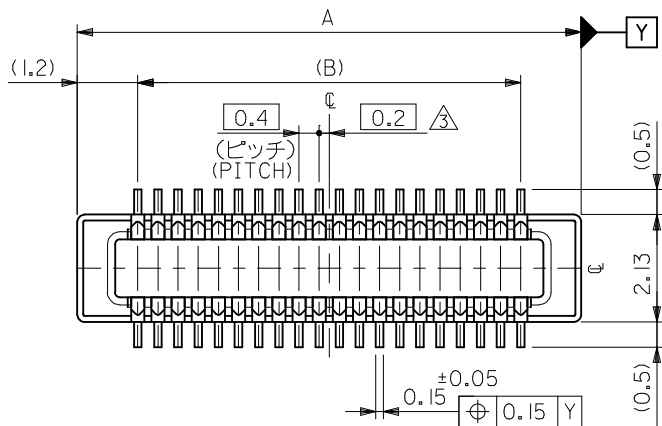


注記)製品がポケット内に問題なく収まること。  
NOTE. Pocket should contain product smoothly.

24	29.4	25.4	5.36	55909-1674	16
			4.56	55909-9974	12
キャリアテープ幅 CARRIER TAPE WIDTH	C	B	(A)	MATERIAL NO.	CKT

CONNECTOR SERIES No. 55909-\*\*73

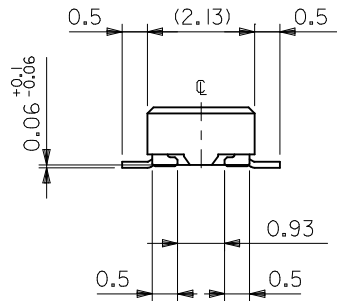
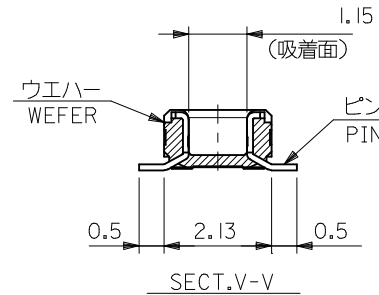
<b>QUALITY SYMBOLS</b> ▽A = 0 ▽E = 0 ▽F = 0 ▼ = 0 ▽C = 0 ⊠ = 0 ■ = 0 ▽ = 0	THIS DRAWING CONTAINS INFORMATION THAT IS PROPRIETARY TO MOLEX ELECTRONIC TECHNOLOGIES, LLC AND SHOULD NOT BE USED WITHOUT WRITTEN PERMISSION		DIMENSION UNITS mm	SCALE 2:1			
	EC NO.: 605528 DRWN: JHCHANG CHK'D: KSKIM APPR: YSKIM02	2018/10/08 2018/10/08 2018/10/09	GENERAL TOLERANCES (UNLESS SPECIFIED) ANGULAR TOL ± 1.0 ° 4 PLACES ± 0.1 3 PLACES ± 0.1 2 PLACES ± 0.1 1 PLACE ± 0.1 0 PLACES ± 0.1	DRWN BY JHCHANG		DATE 2017/11/13	0.4B/B CONN PLUG ASSY(H=1.5) EMBSTP PKG
			DRAFT WHERE APPLICABLE MUST REMAIN WITHIN DIMENSIONS	CHK'D BY KSKIM		DATE 2018/10/01	
				APPR BY YSKIM02		DATE 2018/10/09	PRODUCT CUSTOMER DRAWING
			DRAWING SIZE A3	THIRD ANGLE PROJECTION	SERIES 55909		
					MATERIAL NUMBER SEE CHART		
					CUSTOMER GENERAL		
					DOCUMENT NUMBER 559090074		
					DOC TYPE PSD		
					DOC PART 000		
					SHEET NUMBER 5 OF 5		



注記 NOTES:

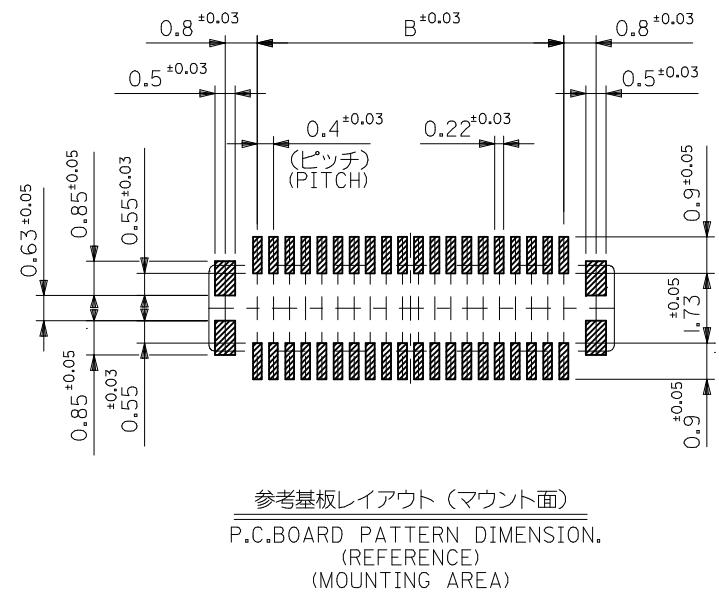
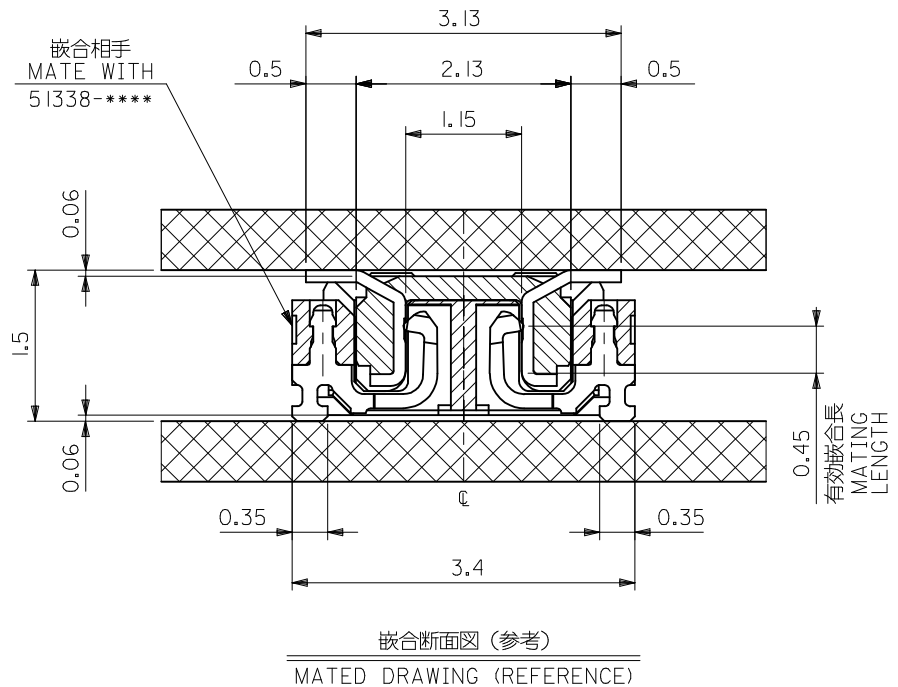
1. 使用材料 MATERIAL  
 ウエハー: 液晶ポリマー (LCP) ガラス充填 UL94V-0 (黒)  
 WAFER: LIQUID CRYSTAL POLYMER (GLASS FILLED)  
 UL94V-0 (COLOR: BLACK)  
 ピン: 黄銅 (t=0.12)  
 PIN: BRASS (t=0.12)  
 金具: リン青銅 (t=0.2)  
 FITTING NAIL: PHOSPHOR BRONZE (t=0.2)
2. メッキ仕様 PLATING  
 ピン PIN  
 金メッキ 0.2 マイクロメートル以上 (コンタクト部)  
 GOLD 0.2MICROMETER MINIMUM (CONTACT AREA)  
 金メッキ 0.4 マイクロメートル以下 (テール部)  
 GOLD 0.4MICROMETER MAXIMUM (TAIL AREA)  
 下地メッキ: ニッケルメッキ 1.5 マイクロメートル以上  
 UNDER PLATING: NICKEL 1.5MICROMETER MINIMUM  
 金具 FITTING NAIL  
 錫メッキ 1.0 マイクロメートル以上  
 TIN PLATING 1.0MICROMETER MINIMUM  
 下地メッキ: ニッケルメッキ 1.0 マイクロメートル以上  
 UNDER PLATING: NICKEL 1.0MICROMETER MINIMUM

3. (全極数/2) = 偶数の場合に適用。  
 APPLY FOR (CIRCUIT/2)=EVEN.
4. 嵌合相手: 51338シリーズ  
 MATE WITH: 51338 SERIES.
5. テール平坦度は、0.08以下  
 テール及び金具の平坦度は、0.1以下  
 TAIL COPLANARITY TO BE 0.08 MAXIMUM  
 TAIL AND FITTING NAIL  
 COPLANARITY TO BE 0.1 MAXIMUM
6. 本製品は 55909-\*\*\*3 の鉛フリー品である。  
 THIS PRODUCT IS LEAD FREE OF 55909-\*\*\*3



21.2	19.6	22.0	55909-1074	100
19.2	17.6	20.0	55909-0974	90
17.2	15.6	18.0	55909-0874	80
15.2	13.6	16.0	55909-0774	70
13.2	11.6	14.0	55909-0674	60
11.2	9.6	12.0	55909-0574	50
9.2	7.6	10.0	55909-0474	40
8.0	6.4	8.8	55909-3474	34
7.2	5.6	8.0	55909-0374	30
6.4	4.8	7.2	55909-2674	26
6.0	4.4	6.8	55909-2474	24
5.6	4.0	6.4	55909-2274	22
5.2	3.6	6.0	55909-0274	20
4.4	2.8	5.2	55909-1674	16
3.6	2.0	4.4	55909-9974	12
C	B	A	EMBOSSED TAPE PKG. ORDER No. オーダー番号	CKT.
CONNECTOR SERIES NO.			55909-***73	

REVISED EC NO: J2013-0254 DRW: KTOYODA 2012/08/30 CHKD: TASAKAWA 2012/08/30 APPR: TASAKAWA 2012/08/31	GENERAL TOLERANCES (UNLESS SPECIFIED)		DIMENSION STYLE MM ONLY		SCALE ---	DESIGN UNITS METRIC	THIRD ANGLE PROJECTION
	10 UNDER	±0.2	DRAWN BY HSHIMABUKURO	DATE 2004/02/20	TITLE 0.4 B-TO-B CONN. PLUG ASSY (HGT=1.5) WITH NAIL -LEAD FREE-		
	10 OVER 30 UNDER	±0.25	CHECKED BY K. TOJO	DATE 2004/02/20			
	30 OVER	±0.3	APPROVED BY M. SASAO	DATE 2004/02/20			
ANGULAR	±1/2 °	MATERIAL NO.		SEE CHART	DOCUMENT NO. SD-55909-003	SHEET NO. 1 OF 2	
DRAFT WHERE APPLICABLE MUST REMAIN WITHIN DIMENSIONS		THIS DRAWING CONTAINS INFORMATION THAT IS PROPRIETARY TO MOLEX INCORPORATED AND SHOULD NOT BE USED WITHOUT WRITTEN PERMISSION					



SEE SHEET 1 OF 2	EC NO.: J2013-0254 DRW: K. TOYODA 2012/08/30 CHKD: T. SASAKAWA 2012/08/30 APPR: T. SASAKAWA 2012/08/31	DESCRIPTION	GENERAL TOLERANCES (UNLESS SPECIFIED)		DIMENSION STYLE MM ONLY		SCALE ---	55909-**73	MODEL NO.	
			10 UNDER	±0.2	DRAWN BY HSHIMABUKURO	DATE 2004/02/20	TITLE 0.4 B-TO-B CONN. PLUG ASSY (HGT=1.5) WITH NAIL -LEAD FREE-			
			10 OVER 30 UNDER	±0.25	CHECKED BY K. TOJO	DATE 2004/02/20	<b>molex</b>			
			30 OVER	±0.3	APPROVED BY M. SASAO	DATE 2004/02/20				
REV		ANGULAR ±3 °	DRAFT WHERE APPLICABLE MUST REMAIN WITHIN DIMENSIONS		MATERIAL NO. SEE SHEET 1		DOCUMENT NO. SD-55909-003	SHEET NO. 2 OF 2		