

5

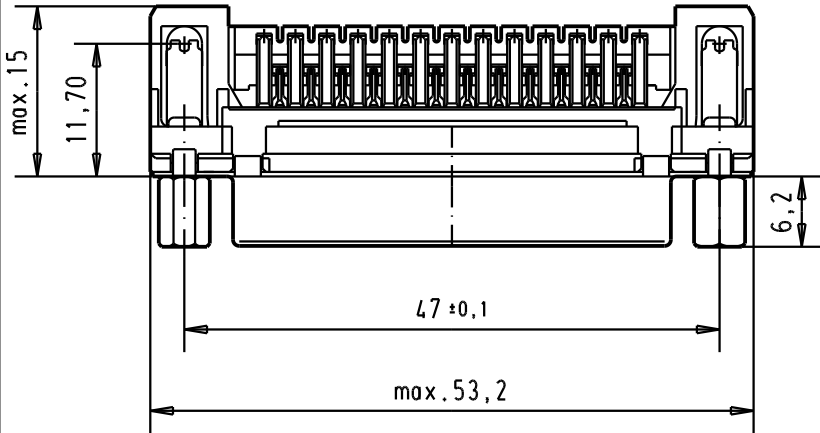
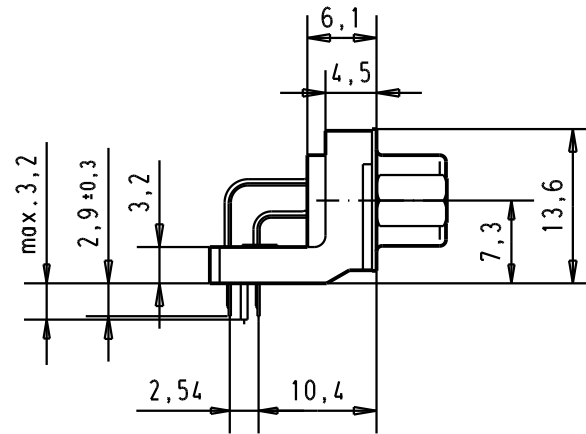
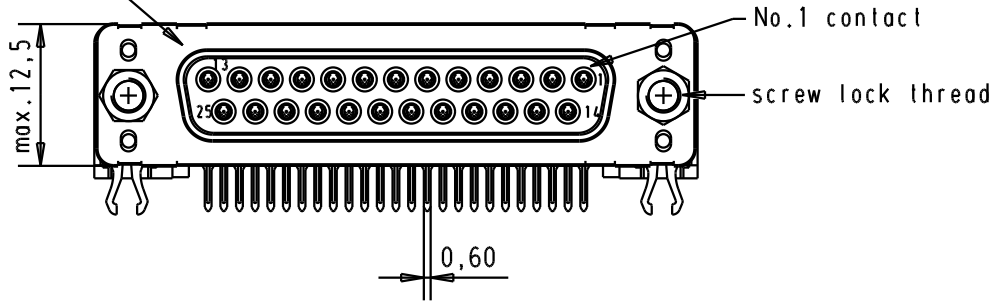
4

3

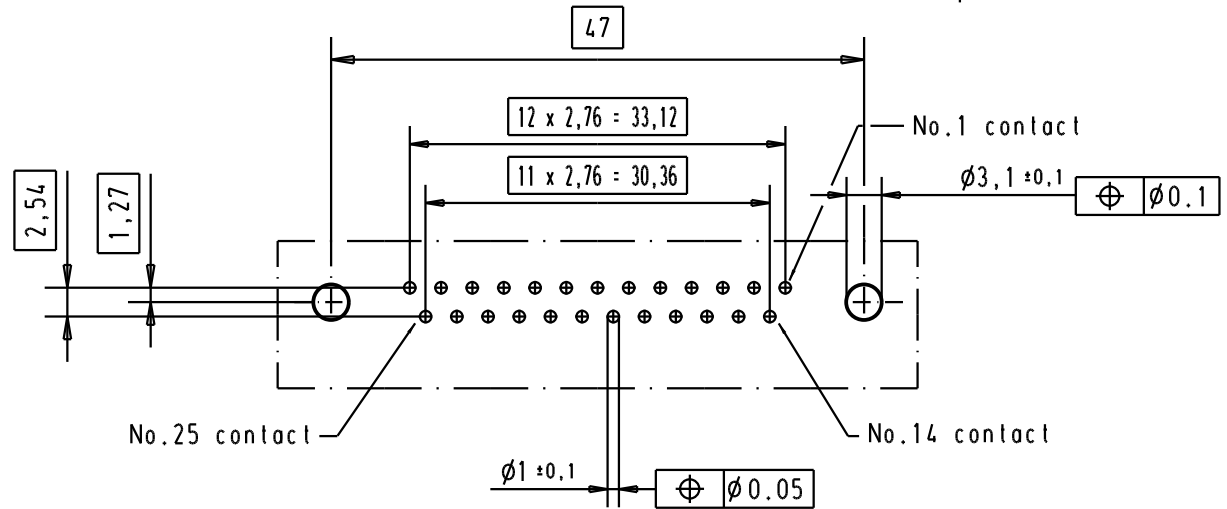
2

1

Mating face according to : MIL-C-24308 / DIN 41652 / CECC 75301-802



PCB layout hole component side



Connector retention and insertion forces on the PCB = 25 / 80 newtons

A

09 66 352 3633	M3	1																
09 66 352 6633	M3	2																
09 66 352 7633	M3	3																
09 66 352 3613	4-40 UNC	1																
09 66 352 6613	4-40 UNC	2	31892	05/05/04	JH													
09 66 352 7613	4-40 UNC	3	31084	04/SEP/02	YT													
Part number	Screw lock thread	Performance level	Mod.	Dat.	Name	HARTING EURL F-95972 Paris						TB 0966352x6x3			Maßstab/ Scale 1.5:1			
											All Dim. in mm Orig. Size DIN A 4		D-Sub 25 poles standard angle female, solder pin with screw lock and grounding board lock.			Blatt/ Page 1 / 1		
											Connector retention and insertion forces on the PCB = 25 / 80 newtons		Sub.					

Mouser Electronics

Authorized Distributor

Click to View Pricing, Inventory, Delivery & Lifecycle Information:

[HARTING:](#)

[09663526613](#) [09663527613](#)