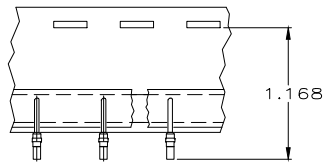
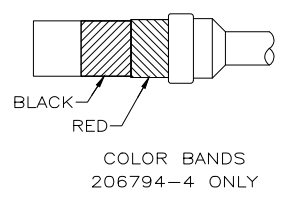
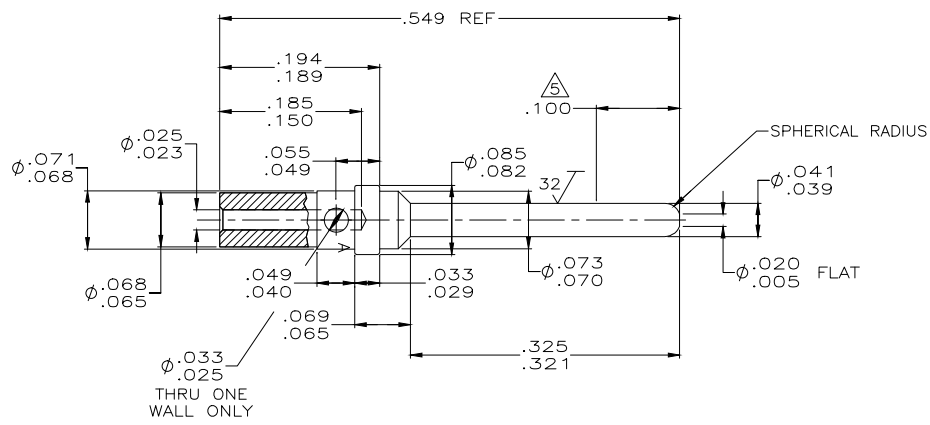


THIS DRAWING IS UNPUBLISHED. RELEASED FOR PUBLICATION
 © COPYRIGHT - By - ALL RIGHTS RESERVED.

REVISIONS				
P	LTR	DESCRIPTION	DATE	DWN APVD
H	REV PER ECO	17-002439	11MAR11	CT RL

- ALL DIMENSIONS APPLY AFTER PLATING.
- THIS PART COMPLIES WITH SPEC. MIL-C-24308/11, EXCEPT WIRE BARREL.
- ALL DIAMETERS CONCENTRIC WITH EACH OTHER WITHIN .004 T.I.R.
- ALL SURFACES HAVE A 63 SURFACE FINISH OR BETTER UNLESS OTHERWISE NOTED.
- POINT OF PLATING MEASUREMENT.
- FINISH: PLATED GOLD PER ASTM-B-488 OVER COPPER PER AMS-2418.
- RESTRICTED TO SPACE SYSTEMS LORAL.
- FINISH: PLATED GOLD PER ASTM-B-488 OVER NICKEL PER AMS-QQ-N-290.



TAPE MOUNTED
 206794-3 ONLY
 SCALE: NTS

NO COLOR CODE	NO COLOR CODE	COPPER ALLOY	206794-7
NO COLOR CODE	NO COLOR CODE	COPPER ALLOY	206794-6
TAPE MOUNTED	TAPE MOUNTED	206794-4	206794-5
COLOR CODED	COLOR CODED	206794-2	206794-4
TAPE MOUNTED	TAPE MOUNTED	206794-2	206794-3
AS SHOWN	AS SHOWN	COPPER ALLOY #187	206794-2
REMARKS	FINISH	MATERIAL	PART NUMBER

SUPERSEDED BY 206794-3

DIMENSIONS:		TOLERANCES UNLESS OTHERWISE SPECIFIED:		DWN		C.C. THOMAS		7/24/00	
INCHES		0 PLC ± -		CHK		R.GROSS		9-5-00	
1 PLC ± -		2 PLC ± -		APVD		R.GROSS		9-5-00	
3 PLC ± .025		4 PLC ± .005		PRODUCT SPEC		NAME		TE Connectivity	
ANGLES ± 2°		APPLICATION SPEC		SIZE		CAGE CODE		DRAWING NO	
MATERIAL		FINISH		WEIGHT		A2		00779	
COPPER ALLOY		SEE TABLE		CUSTOMER DRAWING		C=206794		RESTRICTED TO	
				SCALE		10:1		SHEET 1 of 1	
				REV		H			

Mouser Electronics

Authorized Distributor

Click to View Pricing, Inventory, Delivery & Lifecycle Information:

[TE Connectivity:](#)

[206794-4](#)