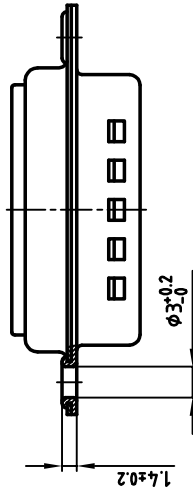
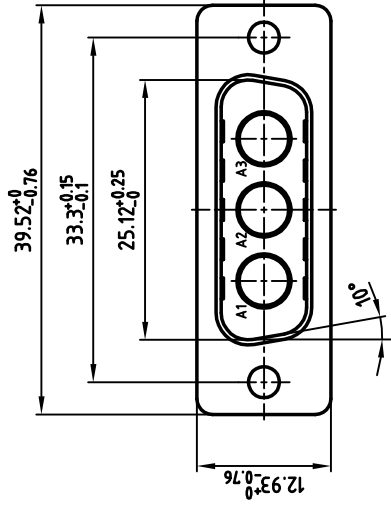
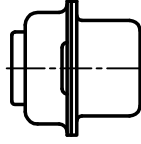
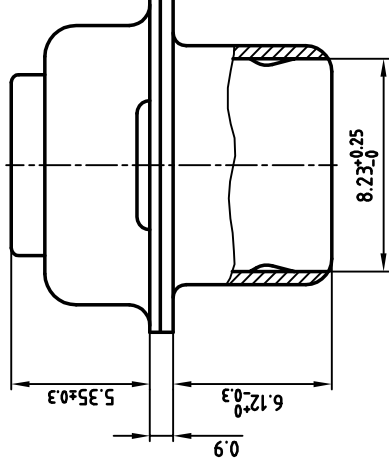


used for: D-SUB COMBINATION



5:1



Directive 2002/95/EC
 „RoHS“
 Compliant

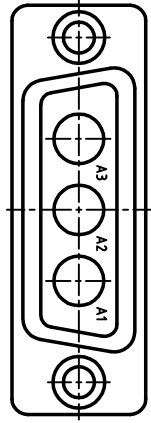
NOTES:

1. METAL SHELLS: STEEL; TIN PLATED
2. INSULATOR: PBT GF, UL 94 V-0; GREEN

THIS DRAWING MAY NOT BE COPIED OR REPRODUCED IN ANY WAY, AND MAY NOT BE PASSED ON TO A THIRD PARTY WITHOUT WRITTEN PERMISSION.
 OWNERSHIP AND COPYRIGHT OF CONEC GMBH
DO NOT ALTER CAD DRAWING BY HAND

tolerance		1998		date		name	
		drawn	11.09.	Barcinski			
		appd.	11.09.	Mickenbecker			
		norm					
		e-old					

scale:	2:1 (5:1)
material:	SEE NOTES
title:	D-SUB COMBINATION MALE 3W3P WITHOUT CONTACTS
dwg no:	13K2119A
REL.13	DIN-A
sh: 1/1	3
product no:	3003W3PXX99A10X



Mouser Electronics

Authorized Distributor

Click to View Pricing, Inventory, Delivery & Lifecycle Information:

[CONEC:](#)

[3003W3PXX99A10X](#)