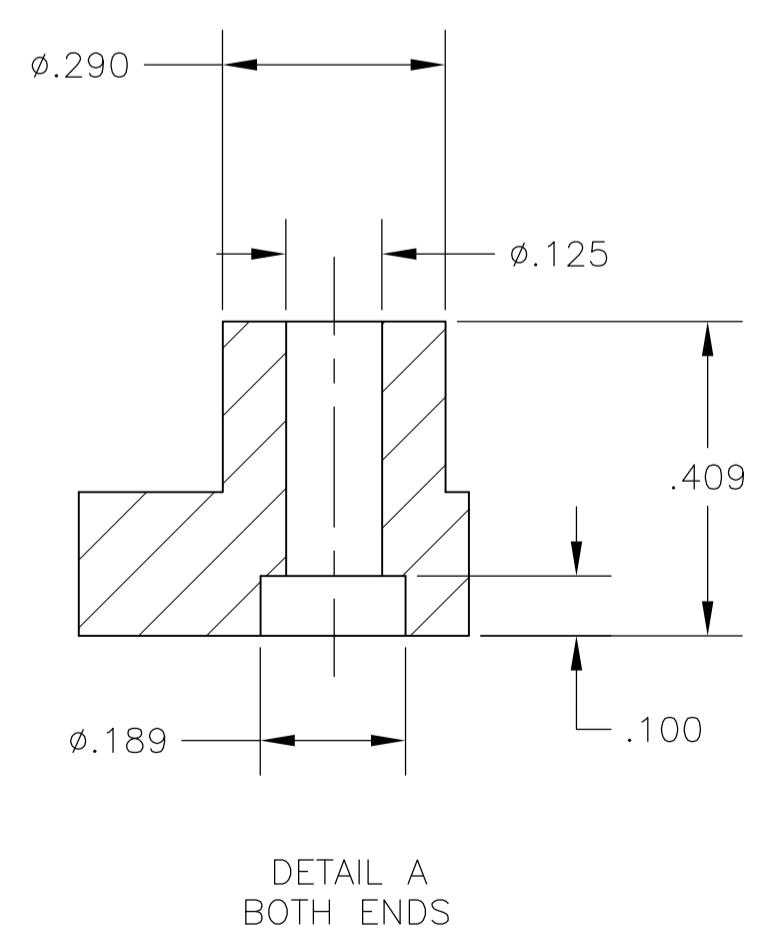
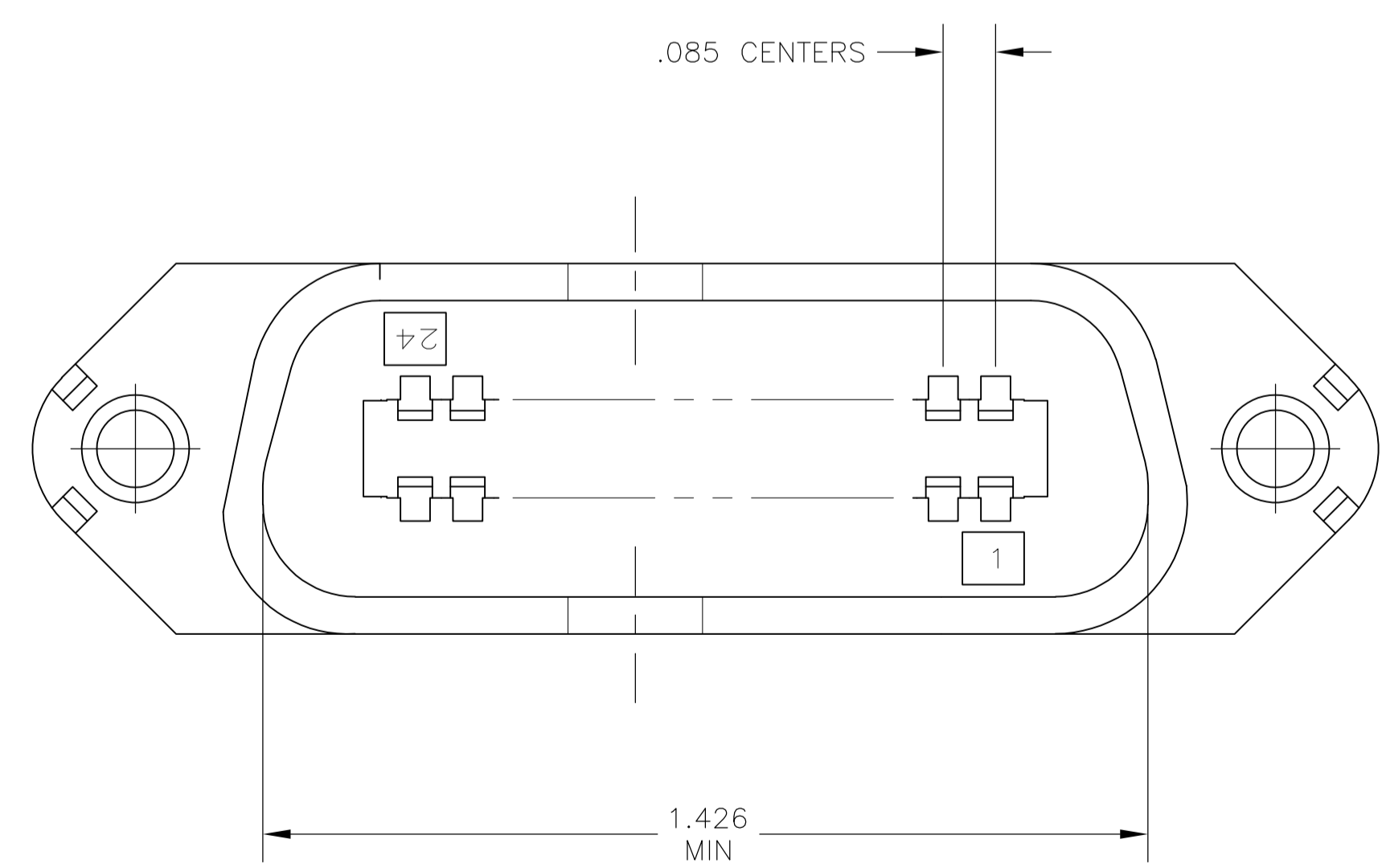
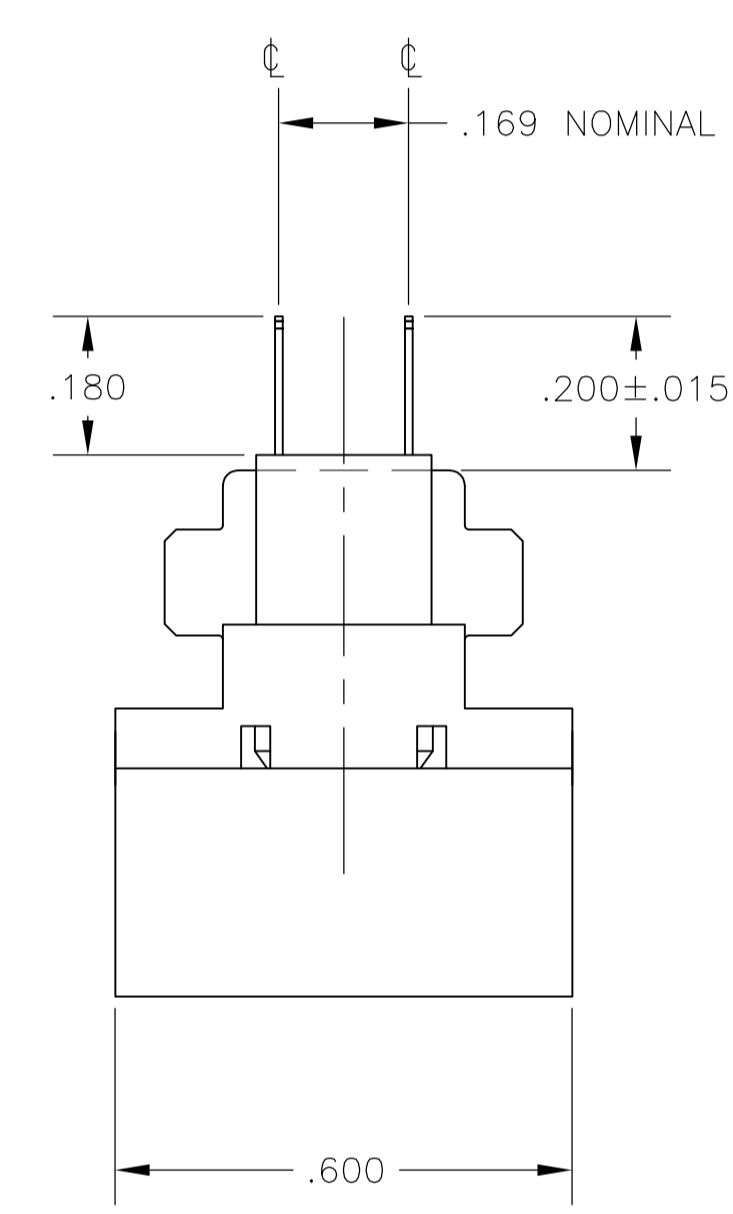
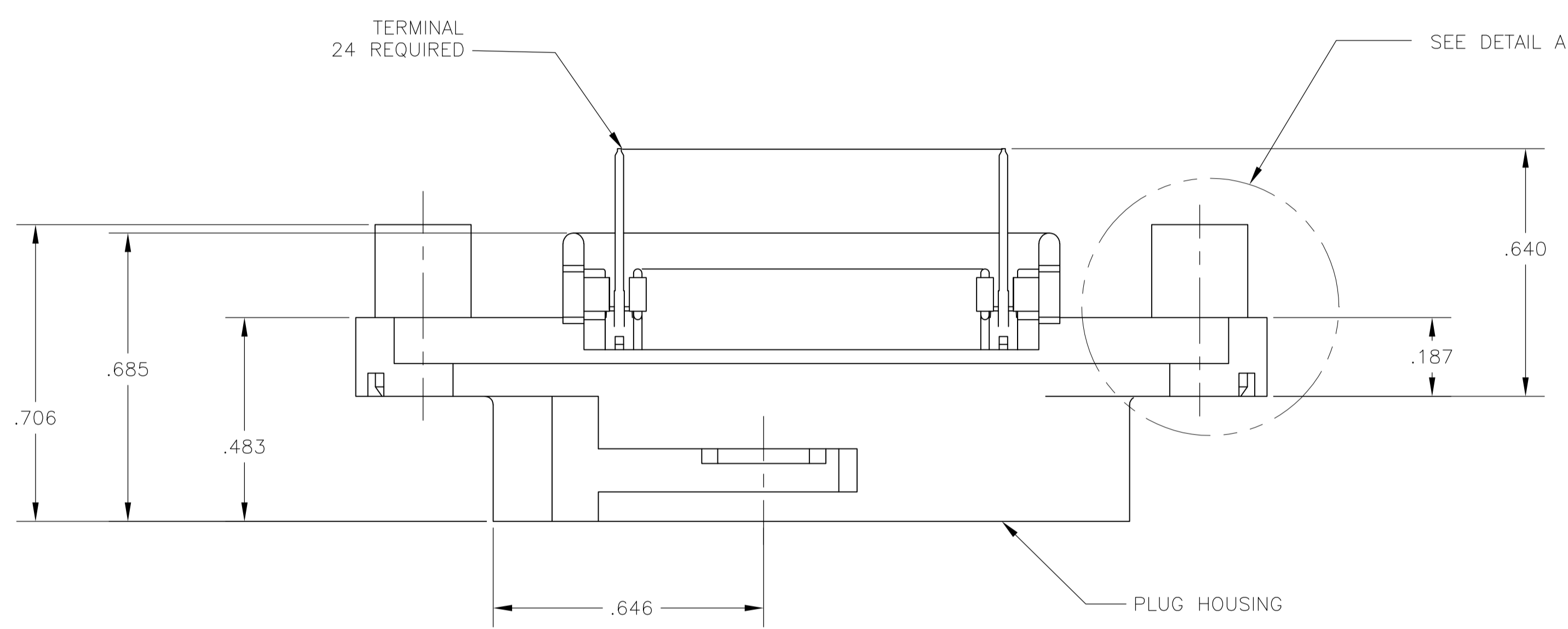
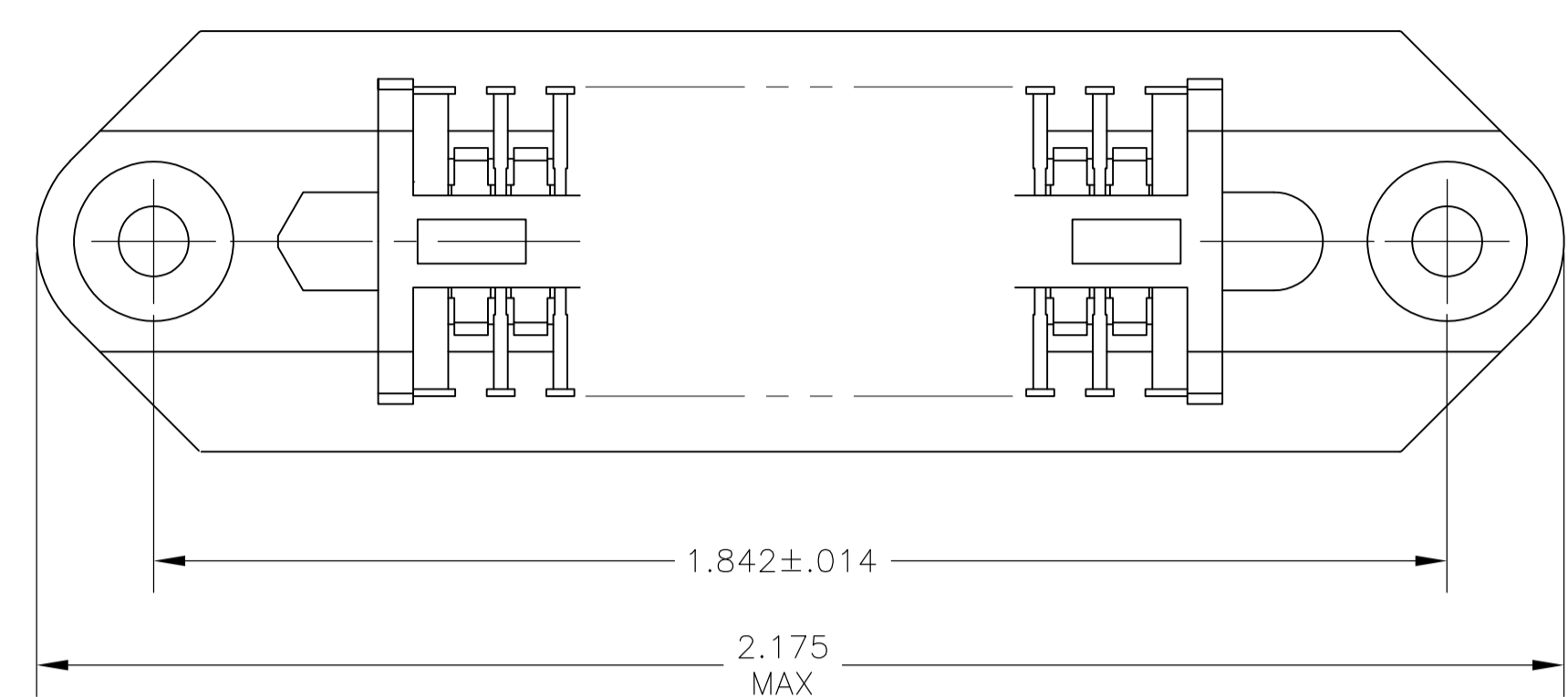


LOC		DIST		REVISIONS			
GP	00	REV	DATE	BY	CHK	APP	
B		REVISED PER ECO-08-007327	22JUL08	BM	WM		



1. THE CONTACT SURFACES OF THE TERMINALS ARE COATED WITH LUBRICANT.
2. ALL DIMENSIONS SHOWN ARE FOR REFERENCE ONLY UNLESS OTHERWISE SPECIFIED.
3. MATERIAL: HOUSING - THERMOPLASTIC, BLACK.
 TERMINAL - PHOS BRONZE PLATED WITH EITHER .000030 MINIMUM GOLD PLATE OR GOLD FLASH OVER PALLADIUM NICKEL PLATE, .000030 MINIMUM TOTAL ON MATING SURFACE. .000120 MINIMUM TIN PLATE ON TAILS OVER .000050 MINIMUM NICKEL UNDERPLATE OVER ENTIRE TERMINAL.

5552221-1
PART NUMBER

THIS DRAWING IS A CONTROLLED DOCUMENT.		DWN: B. LATTUCA 17AUG05 CHK: W. MILLHIMES 17AUG05 APP: M. WALMSLEY 17AUG05	Tyco Electronics Corporation Harrisburg, PA 17105-3608
DIMENSIONS: INCHES TOLERANCES UNLESS OTHERWISE SPECIFIED: 0. PLC ± - 1. PLC ± - 2. PLC ± - 3. PLC ± - 4. PLC ± - ANGLES ± -	NAME: PLUG ASSY, 24 POSN, VERT MTG, CHAMP-LOK WITH STANDOFFS APPLICATION SPEC: - SIZE: A1 CAGE CODE: 00779 DRAWING NO: 5552221	RESTRICTED TO: - SCALE: 4:1 SHEET: 1 OF 1 REV: B	CUSTOMER DRAWING

Mouser Electronics

Authorized Distributor

Click to View Pricing, Inventory, Delivery & Lifecycle Information:

[TE Connectivity:](#)

[5552221-1](#)