

Customer Information Sheet

DRAWING No.: M50-310XX45

SHEET 3 OF 3

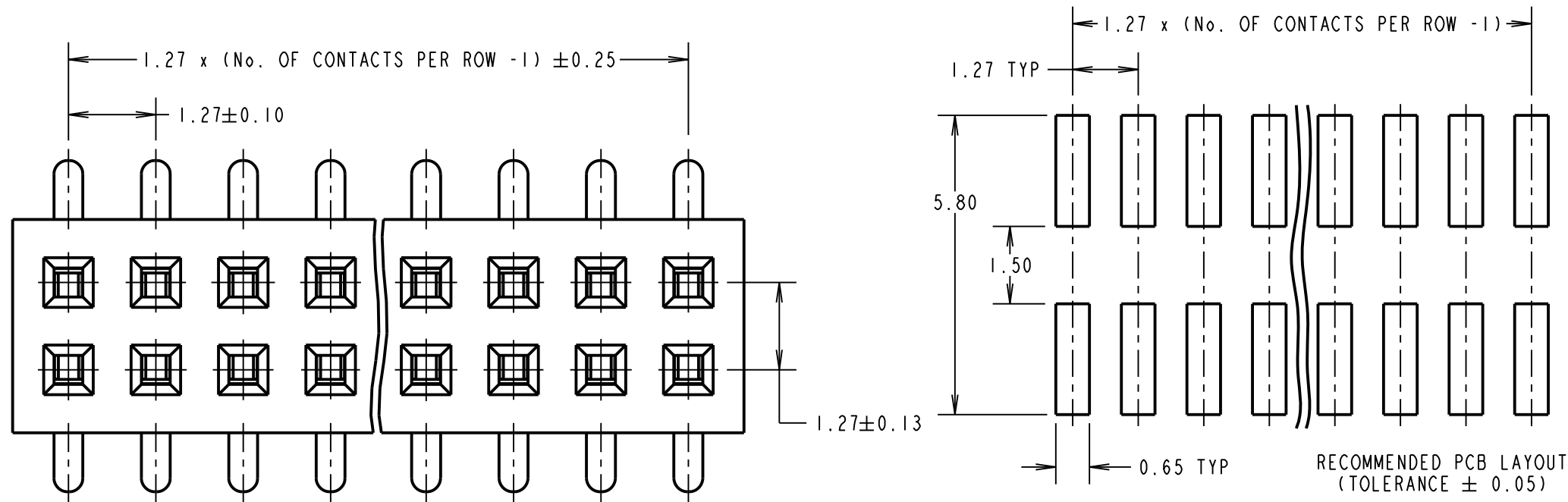
IF IN DOUBT - ASK

©

NOT TO SCALE

THIRD ANGLE PROJECTION

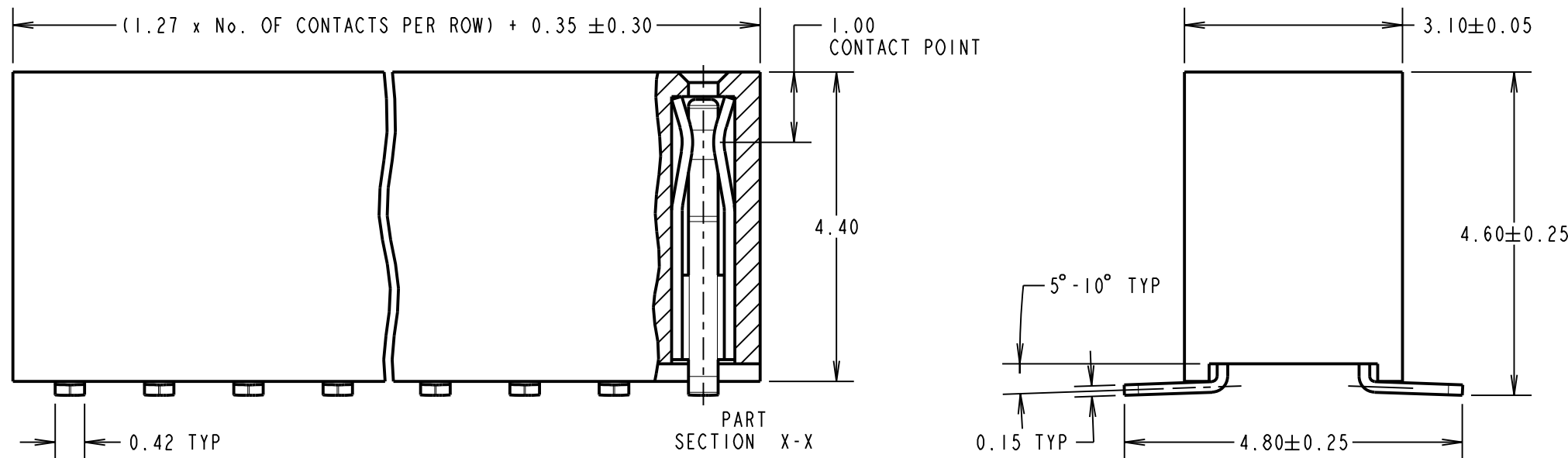
ALL DIMENSIONS IN mm



SPECIFICATIONS:
 MATERIAL:
 MOULDING = LCP, UL94V-0, BLACK
 CONTACT = PHOSPHOR BRONZE
 FINISH:
 CONTACT = GOLD FLASH OVER NICKEL
 ELECTRICAL:
 VOLTAGE RATING = 250V AC/DC
 CURRENT RATING = 1A
 VOLTAGE PROOF = 300V AC, 500V DC FOR ONE MINUTE
 CONTACT RESISTANCE = 20mΩ MAX INITIAL,
 30mΩ MAX AFTER CONDITIONING
 INSULATION RESISTANCE = 1,000MΩ MIN
 MECHANICAL:
 DURABILITY = 100 CYCLES
 INSERTION FORCE = 2N MAX PER CONTACT
 WITHDRAWAL FORCE = 0.15N MIN PER CONTACT
 ENVIRONMENTAL:
 OPERATING TEMPERATURE = -40°C TO +105°C
 PACKING:
 TUBE
 FOR COMPLETE SPECIFICATION, SEE COMPONENT SPECIFICATION C029XX (LATEST ISSUE)

OBSOLETE
 No. of contacts per row = 16 to 19, 21 to 24, 26 to 49
 Last Time Buy = 15th June 2018

ORDER CODE:
M50-310XX45
 No. OF CONTACTS PER ROW:
03 to 15, 20, 25, 50
 FINISH:
 GOLD FLASH OVER NICKEL



NOTES:
 1. ALL TOLERANCES ARE ±0.12 UNLESS OTHERWISE STATED.

SB	9	08.01.13	11828
NAME	ISS.	DATE	C/NOTE
APPROVED:		S.BENNETT	
CHECKED:		S.FLOWER	
DRAWN:		J.ENRIGHT	
CUSTOMER REF.:			
ASSEMBLY DRG:			

 www.harwin.com technical@harwin.com	THIS DRAWING AND ANY INFORMATION OR DESCRIPTIVE MATTER SET OUT HEREON ARE CONFIDENTIAL AND COPYRIGHT PROPERTY OF THE HARWIN GROUP AND MUST NOT BE DISCLOSED, LOANED, COPIED OR USED FOR MANUFACTURING, TENDERING OR FOR ANY OTHER PURPOSE WITHOUT THEIR WRITTEN PERMISSION.	TOLERANCES X = ±1mm X.X = ±0.25mm X.XX = ±0.10mm X.XXX = ±0.01mm ANGLES = ±5° UNLESS STATED	MATERIAL: SEE ABOVE FINISH: SEE ABOVE S/AREA: mm ²	TITLE: 1.27mm PITCH DIL VERTICAL SMT SOCKET ASSY DRAWING NUMBER: M50-310XX45	SHT 3 OF 3
		M50-310XX45			