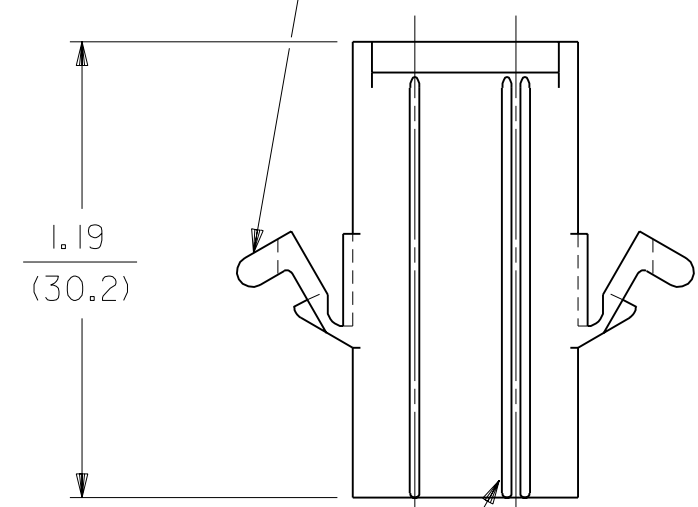
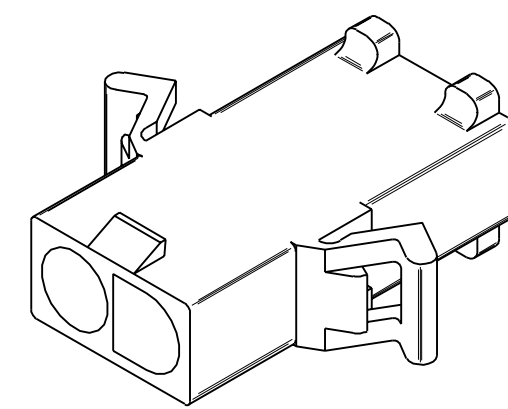
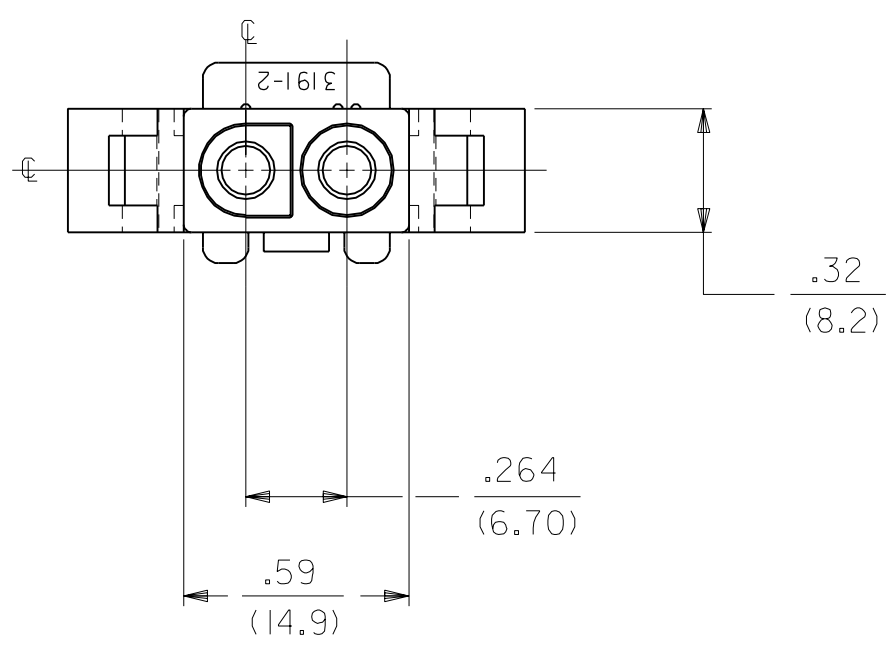
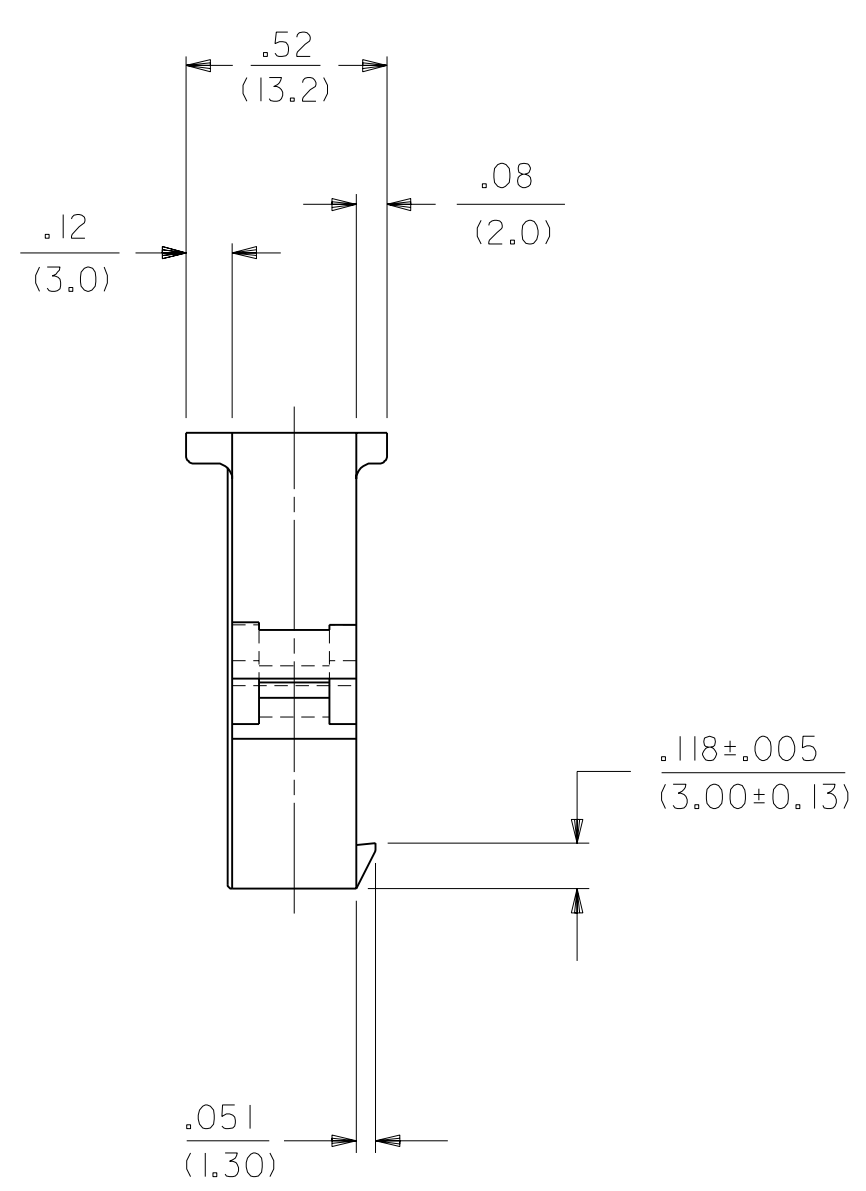


PREBENT MOUNTING EAR  
(WHEN SPECIFIED)



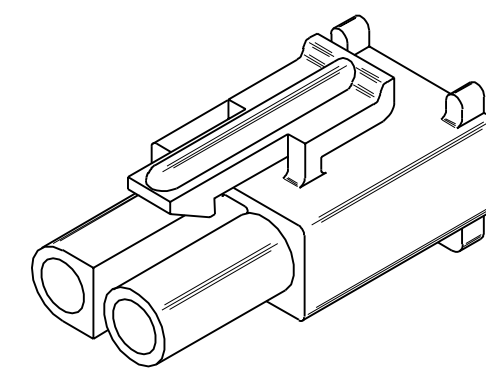
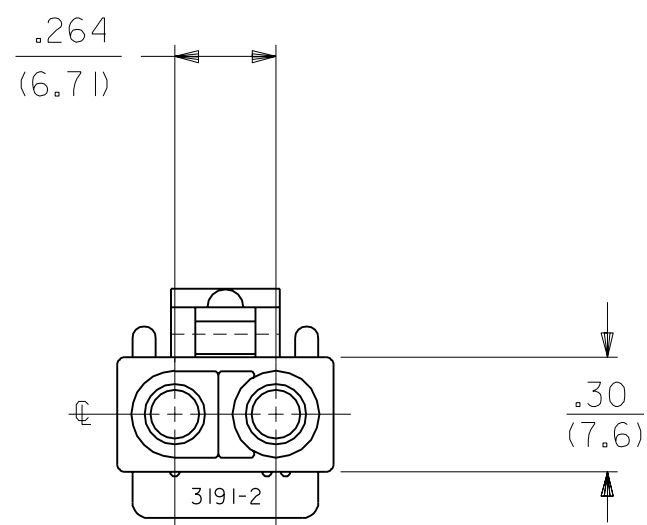
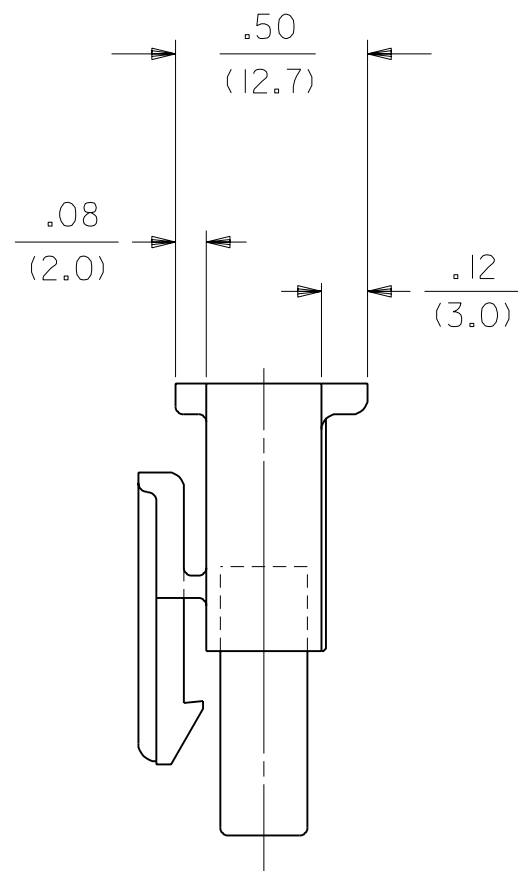
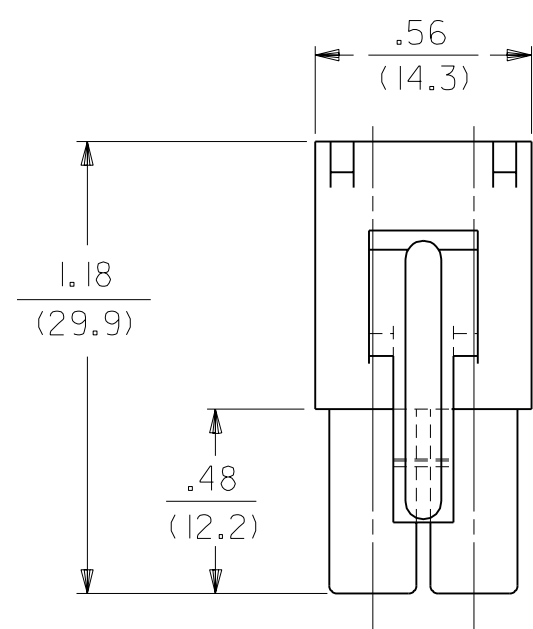
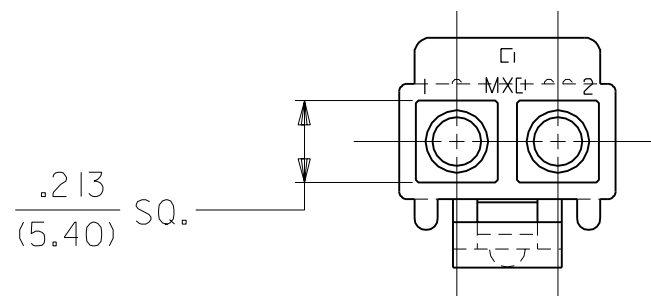
CIRCUIT NUMBER  
IDENTIFICATION RIBS



PLUG

SH.	REV.	LTR.	REVISIONS
3	E2		
2	D		
1	E4		

DIMENSIONS SHOWN (METRIC) INCH		$\nabla = 0$	$\blacktriangledown = 0$	REVISE ONLY ON CAD SYSTEM																		
UNLESS OTHERWISE SPECIFIED TOLERANCES: ANGULAR $\pm .2^\circ$		TITLE <b>.093/(2.36) HOUSING, PLUG AND RECEPTACLE, 2 CKT., .264/(6.70) CTRS.</b>																				
<table border="1"> <thead> <tr> <th></th> <th>INCH</th> <th>METRIC</th> </tr> </thead> <tbody> <tr> <td>3 PLACE</td> <td><math>\pm .010</math></td> <td>---</td> </tr> <tr> <td>2 PLACE</td> <td><math>\pm .014</math></td> <td><math>\pm 0.25</math></td> </tr> <tr> <td>1 PLACE</td> <td>---</td> <td><math>\pm 0.35</math></td> </tr> </tbody> </table>			INCH	METRIC	3 PLACE	$\pm .010$	---	2 PLACE	$\pm .014$	$\pm 0.25$	1 PLACE	---	$\pm 0.35$	<table border="1"> <tr> <td><b>MOLEX INCORPORATED</b></td> <td>SHEET NO.</td> <td>DATE</td> </tr> <tr> <td>LITSLI, ILL.</td> <td>1 of 3</td> <td>11/21/88</td> </tr> </table>			<b>MOLEX INCORPORATED</b>	SHEET NO.	DATE	LITSLI, ILL.	1 of 3	11/21/88
	INCH	METRIC																				
3 PLACE	$\pm .010$	---																				
2 PLACE	$\pm .014$	$\pm 0.25$																				
1 PLACE	---	$\pm 0.35$																				
<b>MOLEX INCORPORATED</b>	SHEET NO.	DATE																				
LITSLI, ILL.	1 of 3	11/21/88																				
DRAFT WHERE APPLICABLE MUST REMAIN WITHIN DIMENSIONS		PART NO. <b>SD-3191-2*</b> DRWG. NO.																				
DRWG. BY: <b>GEP</b>	CHK'D. BY: <b>RW</b>	FILE NAME: <b>S31912X1 DGN</b>																				
APP'D. BY: <b>RAS</b>	SCALE: <b>2 : 1</b>	THIS DRAWING CONTAINS INFORMATION THAT IS PROPRIETARY TO MOLEX INC. AND SHOULD NOT BE USED WITHOUT WRITTEN PERMISSION.																				



RECEPTACLE

DIMENSIONS SHOWN (METRIC) INCH  
UNLESS OTHERWISE SPECIFIED  
TOLERANCES: ANGULAR ± 1/2°

	INCH	METRIC
3 PLACE	± .010	---
2 PLACE	± .014	± 0.25
1 PLACE	---	± 0.35

DRAFT WHERE APPLICABLE MUST  
REMAIN WITHIN DIMENSIONS

TITLE .093/(2.36) HOUSING, PLUG AND RECEPTACLE, 2 CKT., .264/(6.70) CTRS.	
MOLEX INCORPORATED LITSE, ILL. 60532 U.S.A.	SHEET NO. 2 DATE 11/21/88
PART NO. SEE CHART	DRWG. NO. SD-3191-2*

LTR.	REVISIONS	LTR.	REVISIONS
		D	SEE SHT. 1
DRWG. BY	GEP	CHK'D. BY	RW
APP'D. BY	RAS	SCALE	2 : 1

THIS DRAWING CONTAINS INFORMATION THAT IS PROPRIETARY TO MOLEX INC. AND SHOULD NOT BE USED WITHOUT WRITTEN PERMISSION.

13	12	11	10	9	8	7	6	3191	4	3	2	1
PLUG		RECEPTACLE										
PART NO.	ENG. NO.	PART NO.	ENG. NO.									
19-09-2028	3191-2P	19-09-1029	3191-2R1									
19-09-2029	3191-2P1	19-09-1026	3191-2R1-201									
19-09-2027	3191-2P-201	19-09-1020	3191-2R1RD									
19-09-2026	3191-2P1-201	19-09-1021	3191-2R1BU									
19-09-2020	3191-2P1RD											
19-09-2021	3191-2P1BU											

**LEGEND:**

3191-2\*\*\*\*-\*

CIRCUIT SIZE

P = PLUG

R = RECEPTACLE

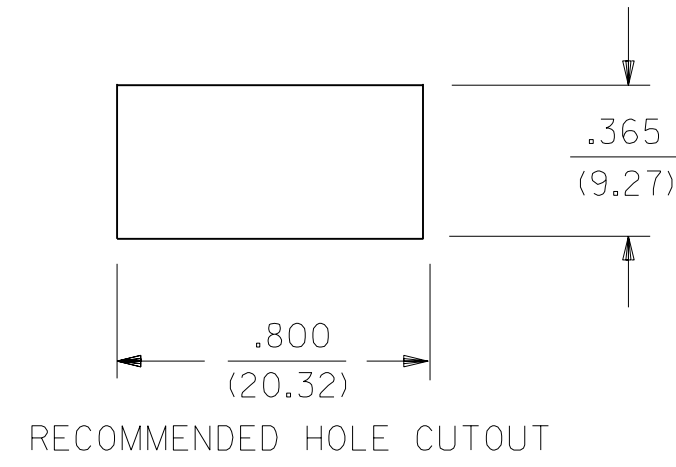
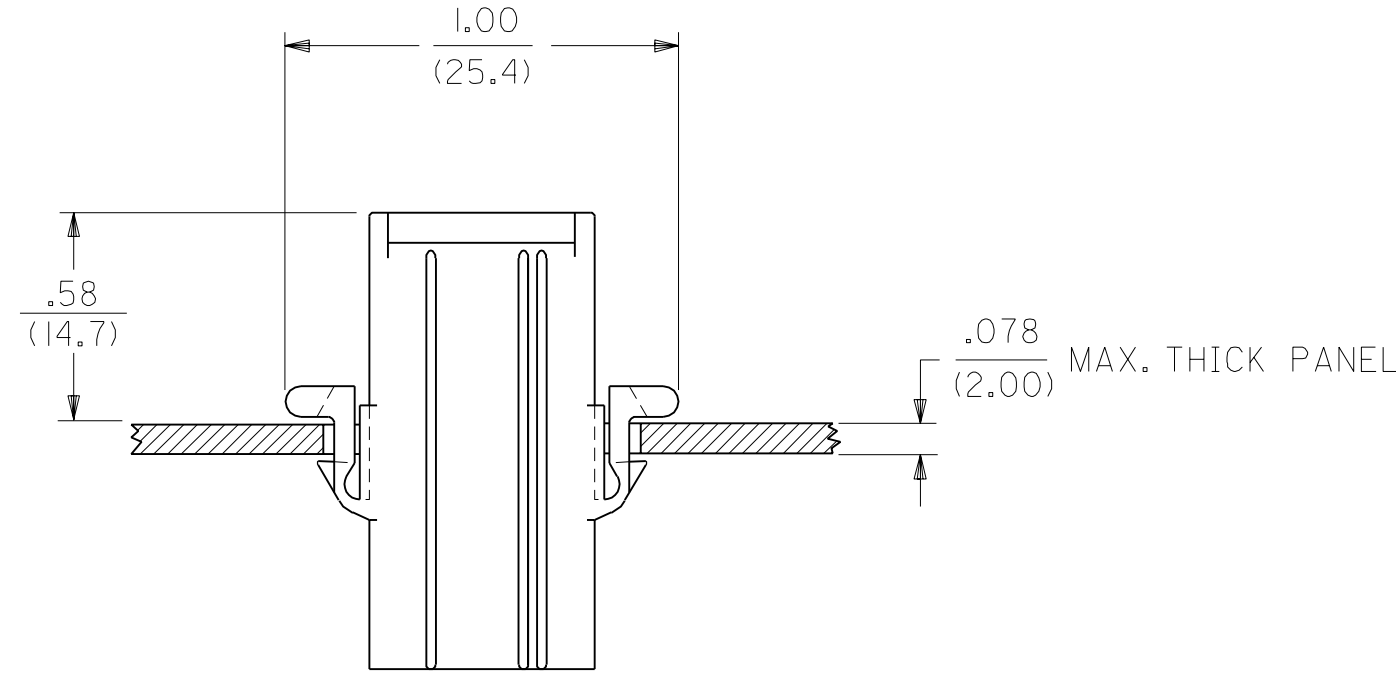
EARS: BLANK = WITH PREBENT EARS (PLUG ONLY)

I = WITHOUT EARS

COLOR: BLANK = NATURAL COLOR

AM=AMBER BK=BLACK BU=BLUE  
 BN=BROWN GY=GRAY GN=GREEN  
 OR=ORANGE RD=RED YW=YELLOW

MATERIAL: BLANK=NYLON TYPE 6/6, 94V-2  
 201=NYLON TYPE 6/6, 94V-0



NOTES:

1. THESE HOUSINGS FOR USE WITH MOLEX .093/(2.36) DIAMETER SERIES TERMINALS.

DIMENSIONS SHOWN (METRIC) INCH		▽ = 0	▼ = 0	REVISE ONLY ON CAD SYSTEM
UNLESS OTHERWISE SPECIFIED TOLERANCES: ANGULAR ± 10°		TITLE		
		.093/(2.36) HOUSINGS PLUG AND RECEPTACLE 2 CKT., .264/(6.70) CTRS.		
		MOLEX INCORPORATED SHEET NO. DATE LISLE, ILL. 60532 U.S.A. 3 11/21/88		
		PART NO. DRWG. NO. SEE CHART SD-3191-2*		
		FILE NAME DIV. SIZE S31912X3 DGN CP C		
		THIS DRAWING CONTAINS INFORMATION THAT IS PROPRIETARY TO MOLEX INC. AND SHOULD NOT BE USED WITHOUT WRITTEN PERMISSION.		
DRWG. BY: GEP	CHK'D. BY: RW			
APP'D. BY: RAS	SCALE: --:--			
LTR.	REVISIONS	LTR.	REVISIONS	