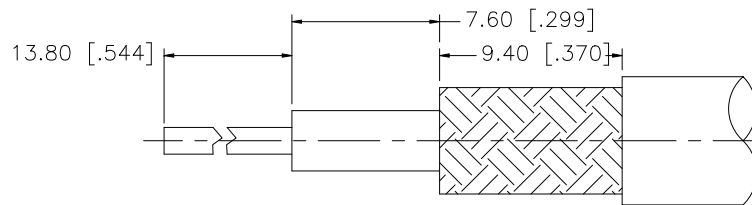
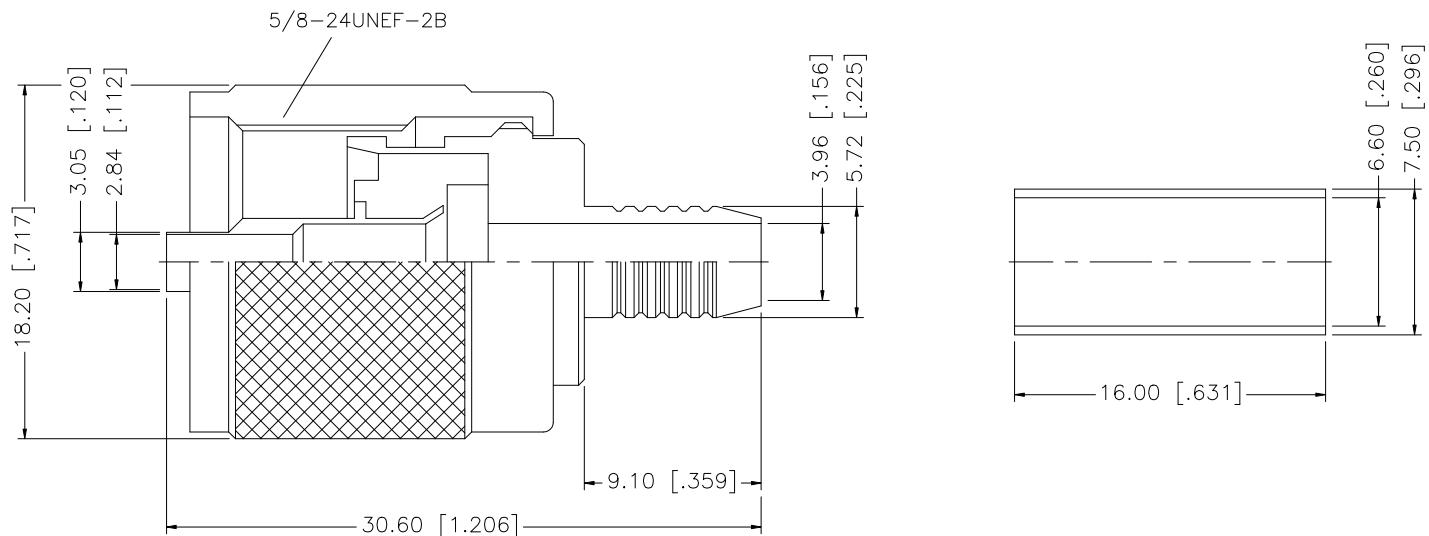


| REV. | DATE | ECR NO. | DESCRIPTION |
|------|----------|---------|--|
| NC | 08/08/02 | - | INITIAL RELEASE |
| A | 10/03/07 | - | REVISE CABLE CALL OUT, UPDATE DRAWING FORMAT |
| B | 03/16/09 | - | REVISE PART DESCRIPTION |



RECOMMENDED CABLE STRIPPING DIM'S



NOTES:

1. CRIMPED FERRULE HEX CRIMP SIZE .255" [6.54]

| | | | | UNLESS OTHERWISE SPECIFIED DIMENSIONS ARE IN MILLIMETERS. DIMENSIONS IN [] ARE IN INCHES AND FOR CUSTOMER REFERENCE ONLY. | APPROVALS | DATE | Amphenol Connex | | | |
|-------------|-------------|----------|--------|--|----------------------|--------|------------------------|------------------------------|--------|----------|
| 8 | | | | | DRAWN | GRS | | | | 03/16/09 |
| 7 | | | | | CHECKED | | | PART NO. 182101-10 | | |
| 6 | | | | | ISSUED | | | | | |
| 5 | | | | | SHEET | 1 OF 1 | | REV. B | SIZE A | SCALE NA |
| 4 | FERRULE | COPPER | NICKEL | 1 | CAD FILE | | | | | |
| 3 | CONTACT PIN | BRASS | GOLD | 1 | C:/182/182101-10.DWG | | | | | |
| 2 | INSULATOR | PHENOLIC | YELLOW | 1 | | | | | | |
| 1 | BODY/SHELL | BRASS | NICKEL | 1 | | | | | | |
| DESCRIPTION | | | | MATERIAL | FINISH | QTY | DO NOT SCALE DRAWING | | | |

UNLESS OTHERWISE SPECIFIED DIMENSIONS ARE IN MILLIMETERS. DIMENSIONS IN [] ARE IN INCHES AND FOR CUSTOMER REFERENCE ONLY.

UNLESS OTHERWISE SPECIFIED TOLERANCES FOR MILLIMETERS ARE:
0.5 - 8mm ± 0.20mm
8 - 30mm ± 0.40mm
30 - 120mm ± 0.50mm

UNLESS OTHERWISE SPECIFIED TOLERANCES FOR INCHES ARE:
.020 - .315 = ± 0.007"
.315 - 1.180 = ± 0.015"
1.180 - 4.724 = ± 0.020"

APPROVALS

DATE

DRAWN GRS 03/16/09

CHECKED

ISSUED

SHEET 1 OF 1

CAD FILE

C:/182/182101-10.DWG

Amphenol Connex

PART DESCRIPTION

**UHF CRIMP PLUG
(FOR RG-59/U CABLE)**

PART NO.

182101-10

DWG. NO.

182101-10.DWG

REV. B

SIZE A

SCALE NA

Mouser Electronics

Authorized Distributor

Click to View Pricing, Inventory, Delivery & Lifecycle Information:

[Amphenol:](#)

[182101-10](#)