

LED Reflector Holder round with 5 mm LED



Housing chrome
 LED red
 Without pre-resistor with exposed LED and external reflector



Housing black dull
 LED red
 Chalice shape with internal reflector



Housing chrome
 LED green
 Chalice shape with internal reflector



Housing black dull
 LED red
 Exposed LED and external reflector

See below:
[Approvals and Compliances](#)

Description

- Panel Mounting
- Illumination with 5 mm LED
- available with or without series resistor
- Housing chrome plated or black dull
- Solder terminals

Weblinks

[pdf data sheet](#), [html datasheet](#), [CAD-Drawings](#), [Detailed request for product](#)

Technical Data

Electrical Data

Current consumption	10 mA with Built-in Multiplier
LED	Technical data LED see separate table

Climatical Data

Allowable Operation Temp.	-25 to 55 °C
Storage Temperature	-55 to 100 °C
Protection Class	IP67

Soldering Data

Solderability	235 °C / 2 sec acc. to IEC 60068-2-20 , Test Ta, method 1
Resistance to Soldering Heat	350 °C / 5 sec acc. to IEC 60068-2-20 , Test Tb, method 1B

Material

Housings	Brass chrome-plated
Solder terminals	Tin-Plated Copper
Nut	Nickel-Plated Brass
Sealing	Nitril rubber

Technical Data LED

	LED red	LED green	LED yellow
Let-through current DC IF max.	30 mA	30 mA	30 mA
Power Loss PV max.	100 mW	100 mW	100 mW
Forward voltage	typ. 2.0 V; max. 3.0 V	typ. 2.4 V; max. 3.0 V	typ. 2.4 V; max. 3.0 V
Luminous intensity	min. 6.3 mcd; typ. 10 mcd	min. 6.3 mcd; typ. 10 mcd	min. 6.3 mcd; typ. 12 mcd
Viewing angle	60°	60°	60°
Peak wave length	typ. 635 nm	typ. 565 nm	typ. 585 nm
Reverse voltage	typ. 15 V	typ. 15 V	typ. 15 V



Approvals and Compliances

Detailed information on product approvals, code requirements, usage instructions and detailed test conditions can be looked up in [Details about Approvals](#)

SCHURTER products are designed for use in industrial environments. They have approvals from independent testing bodies according to national and international standards. Products with specific characteristics and requirements such as required in the automotive sector according to IATF 16949, medical technology according to ISO 13485 or in the aerospace industry can be offered exclusively with customer-specific, individual agreements by SCHURTER.

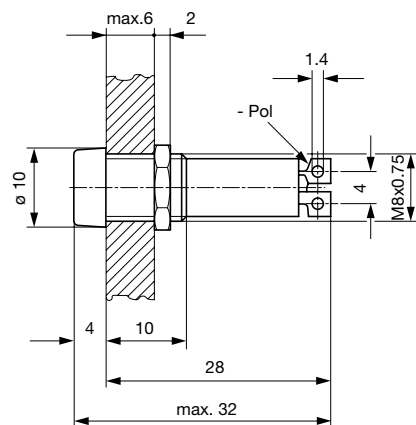
Compliances

The product complies with following Guide Lines

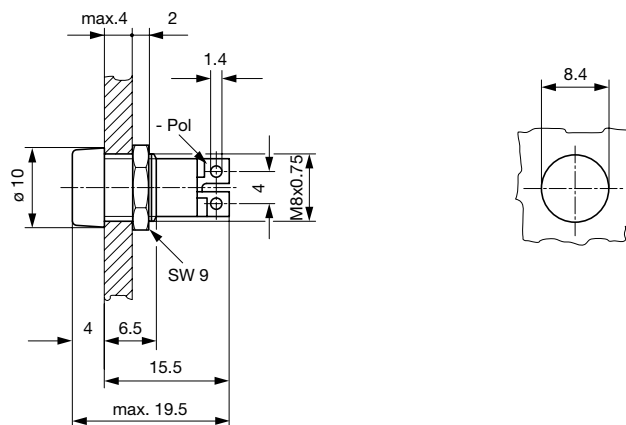
Identification	Details	Initiator	Description
	RoHS	SCHURTER AG	Directive RoHS 2011/65/EU, Amendment (EU) 2015/863
	REACH	SCHURTER AG	On 1 June 2007, Regulation (EC) No 1907/2006 on the Registration, Evaluation, Authorization and Restriction of Chemicals 1 (abbreviated as "REACH") entered into force.

Dimension [mm]

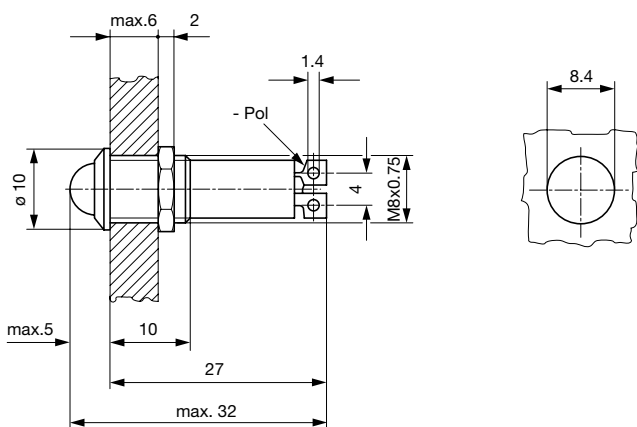
LFM with resistor and internal reflector



LFM without resistor with internal reflector



LFM with exposed LED and resistor and external reflector



All Variants

Type	Multiplier	Housings	Supply Voltage	Color LED	Order Number
Internal Reflector	with	chrome-plated	24VDC	red	0035.0607
Internal Reflector	with	chrome-plated	24VDC	green	0035.0608
Internal Reflector	with	chrome-plated	24VDC	yellow	0035.0609
Outside Reflector	with	black dull	12VDC	red	0035.0664
Outside Reflector	with	black dull	12VDC	green	0035.0665
Outside Reflector	with	black dull	12VDC	yellow	0035.0666
Outside Reflector	with	black dull	24VDC	red	0035.0667
Outside Reflector	with	black dull	24VDC	green	0035.0668
Outside Reflector	with	black dull	24VDC	yellow	0035.0669
Internal Reflector	without	black dull	-	red	0035.0726
Internal Reflector	without	black dull	-	green	0035.0727

Type	Multiplier	Housings	Supply Voltage	Color LED	Order Number
Internal Reflector	without	black dull	-	yellow	0035.0728

Most Popular.

Availability for all products can be searched real-time:<https://www.schurter.com/en/Stock-Check/Stock-Check-SCHURTER>

Packaging unit 50 pcs

Mouser Electronics

Authorized Distributor

Click to View Pricing, Inventory, Delivery & Lifecycle Information:

Schurter:

[0035.0607](#) [0035.0608](#) [0035.0609](#) [0035.0664](#) [0035.0665](#) [0035.0666](#) [0035.0667](#) [0035.0668](#) [0035.0669](#) [0035.0726](#)
[0035.0727](#) [0035.0728](#)