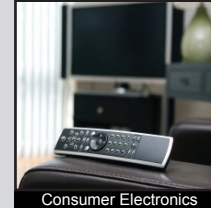
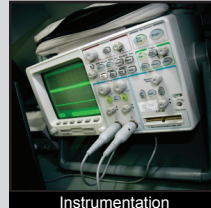


# R1973 SERIES ROCKER SWITCH

ANTI-VANDAL SWITCHES  
 DETECTOR SWITCHES  
 DIP SWITCHES  
 KEYLOCK SWITCHES  
 NAVIGATION SWITCHES  
 PUSHBUTTON SWITCHES  
**ROCKER SWITCHES**  
 ROTARY SWITCHES  
 SLIDE SWITCHES  
 SNAP ACTION SWITCHES  
 TACTILE SWITCHES  
 TOGGLE SWITCHES  
 CAP OPTIONS



## APPLICATIONS / MARKETS



**RoHS**

## SPECIFICATIONS

**Contact Rating:** 9A @ 125VAC [cURus]  
 6A @ 250VAC [cURus]  
 4A(1) @ 250VAC [VDE]  
**Contact Arrangement:** SPST, DPST  
**Electrical Life:** 10,000 cycles  
**Mechanical Life:** 30,000 cycles  
**Insulation Resistance:** >1000 MΩ  
**Dielectric Strength:** >1,500VAC for 1 minute  
**Operating Temperature:** -30°C to 65°C  
**Storage Temperature:** -30°C to 80°C  
**Panel Thickness:** 0.7mm to 3.0mm

## FEATURES & BENEFITS

- Agency approvals: cURus, VDE
- SPST and DPST
- Illumination options
- Multiple termination options
- Actuator marking available
- Standard 13mm x 19mm panel cutout size

## PART NUMBER CONFIGURATOR

Series	Circuit	Housing Color	Actuator Color	Marking (see chart)	Termination	Lamp Voltage
<input type="text" value="R"/> <input type="text" value="1"/> <input type="text" value="9"/> <input type="text" value="7"/> <input type="text" value="3"/>	<input type="text" value="A"/> <input type="text" value="B"/>	<input type="text" value="BLK"/> <input type="text" value="WHT"/> <input type="text" value="GRY"/>	<input type="text" value="BLK"/> <input type="text" value="RED"/> <input type="text" value="GRY"/> <input type="text" value="YIL"/> <input type="text" value="GIL"/> <input type="text" value="RIL"/> <input type="text" value="BIL"/>	<input type="text" value="A"/> <input type="text" value="D"/> <input type="text" value="E"/> <input type="text" value="F"/> <input type="text" value="G"/> <input type="text" value="I"/>	<input type="text" value="F"/> <input type="text" value="R"/>	<input type="text" value="0"/> <input type="text" value="1"/> <input type="text" value="2"/> <input type="text" value="3"/> <input type="text" value="4"/> <input type="text" value="6"/>
R1973	A - SPST B - DPST	BLK - Black WHT - White GRY - Grey	BLK - Black RED - Red GRY - Grey YIL - Yellow Illuminated GIL - Green Illuminated RIL - Red Illuminated BIL - Blue Illuminated		F - Faston R - Right Angle PC Pin	0 - No Lamp 1 - Neon Bulb 125V-AC 2 - Neon Bulb 250V-AC 3 - Incandescent Bulb 12V-DC 4 - Incandescent Bulb 24V-DC 6 - Incandescent Bulb 6V-DC

Specifications subject to change without notice 2.16.2018



**E-SWITCH®**

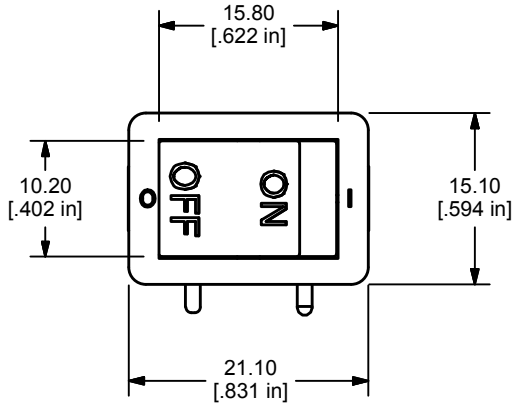
www.e-switch.com

800.867.2717

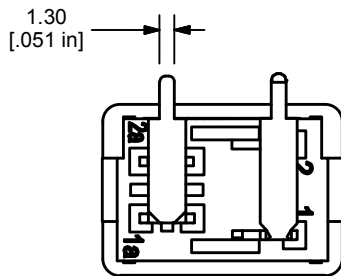
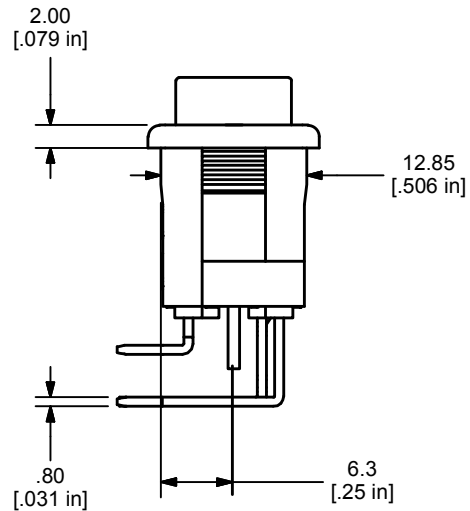
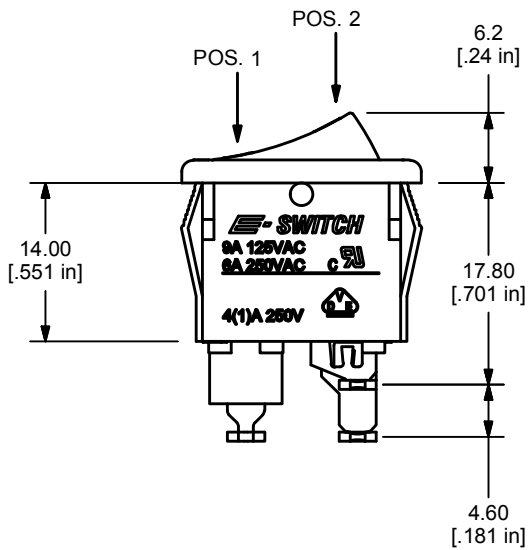
1

# R1973 SERIES ROCKER SWITCH

## BODY DIMENSIONS



MODEL NO.	POS. 1	POS. 2
A - SPST	OFF	ON
TERMINAL CLOSURE	OPEN	1-1a or 2-2a for NON-ILLUMINATED RIGHT ANGLE PC PIN



"R" TERMINAL  
(RIGHT ANGLE TERMINALS BENT  
TOWARDS THE LOGO SIDE)

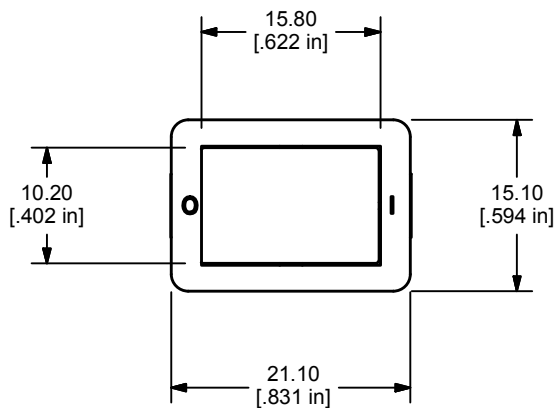
SHOWN WITH  
A - SPST ILLUMINATED  
I - MARKING  
R - RIGHT ANGLE PC PIN



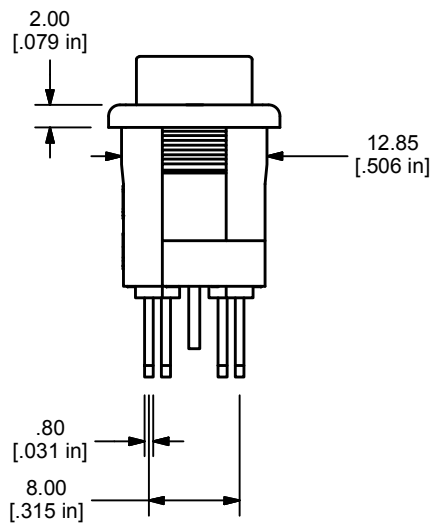
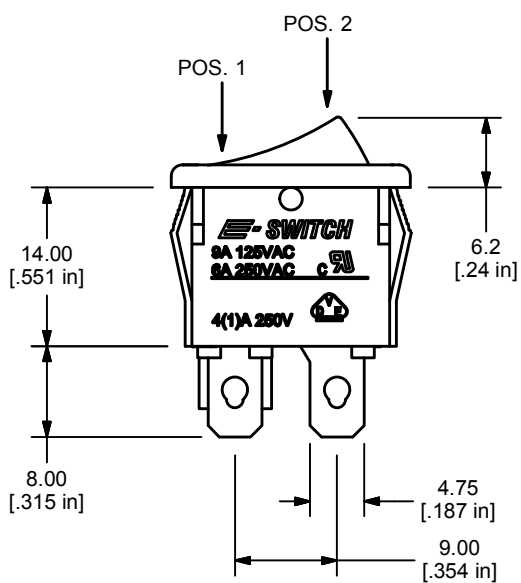
# R1973 SERIES ROCKER SWITCH

## BODY DIMENSIONS

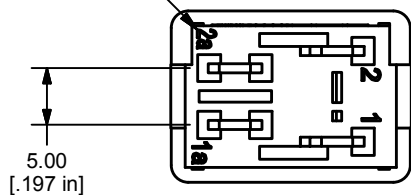
- ANTI-VANDAL SWITCHES
- DETECTOR SWITCHES
- DIP SWITCHES
- KEYLOCK SWITCHES
- NAVIGATION SWITCHES
- PUSHBUTTON SWITCHES
- ROCKER SWITCHES**
- ROTARY SWITCHES
- SLIDE SWITCHES
- SNAP ACTION SWITCHES
- TACTILE SWITCHES
- TOGGLE SWITCHES
- CAP OPTIONS



MODEL NO.	POS. 1	POS. 2
B - DPST	OFF	ON
TERMINAL CLOSURE	OPEN	1-1a, 2-2a



TERMINAL DESIGNATIONS (DPST VERSION SHOWN)

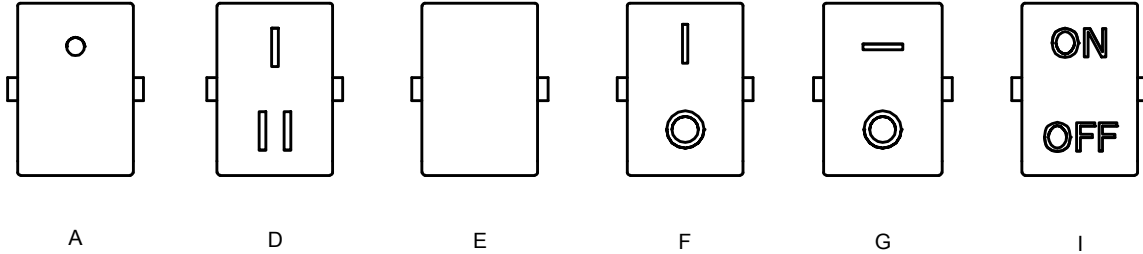


SHOWN WITH  
B - DPST  
E - MARKING  
F - FASTON

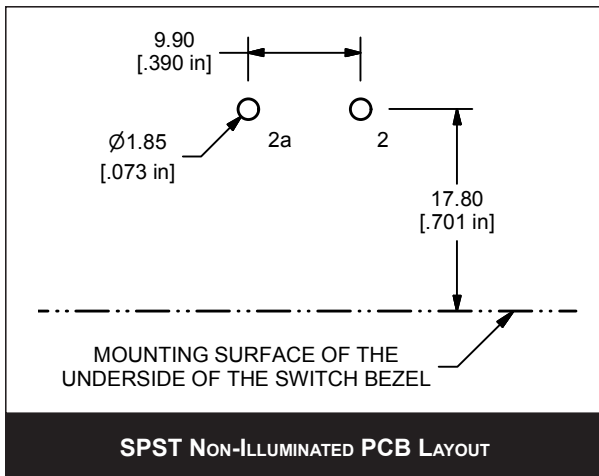
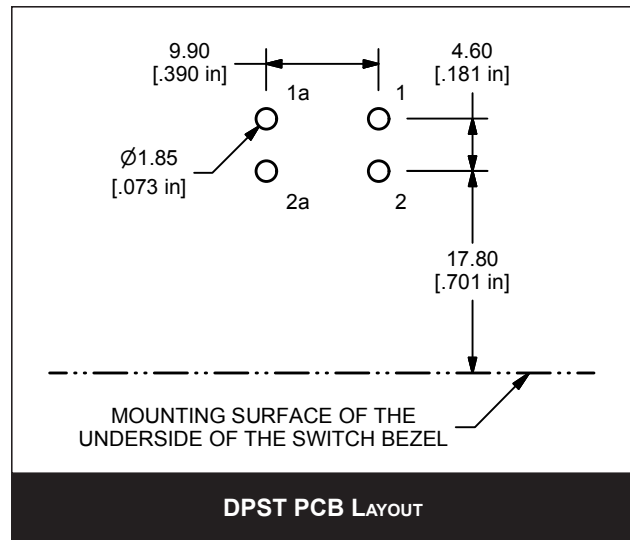
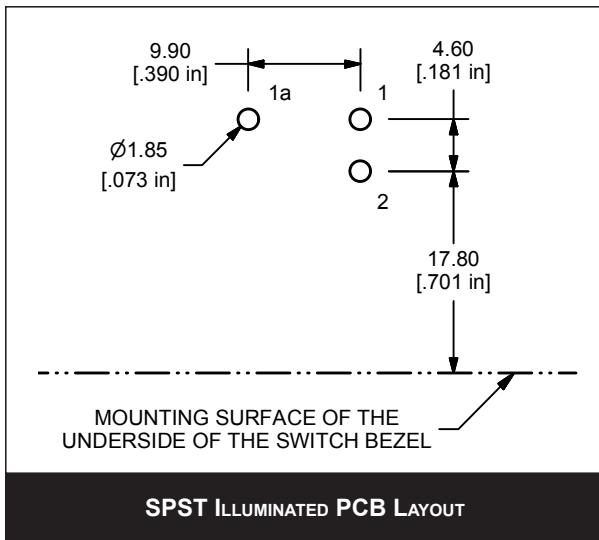


# R1973 SERIES ROCKER SWITCH

## MARKING OPTIONS

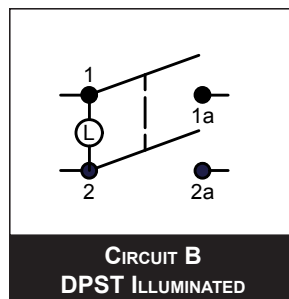
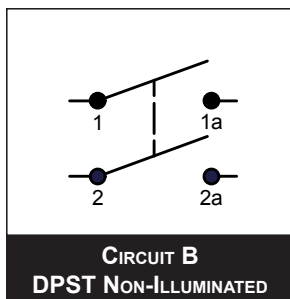
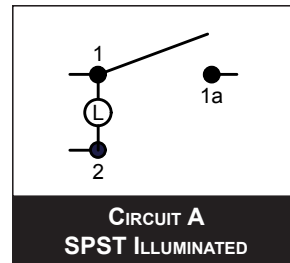
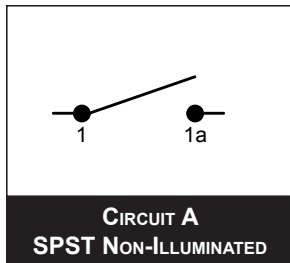
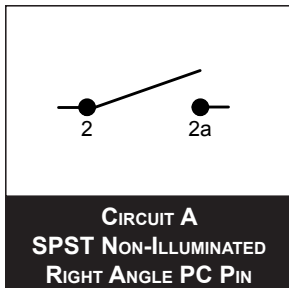


## PCB LAYOUTS

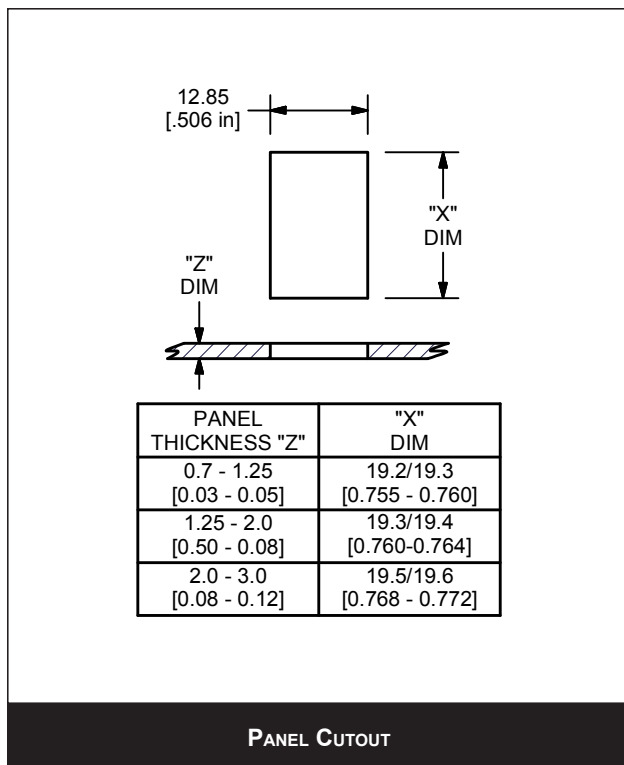


# R1973 SERIES ROCKER SWITCH

## SCHEMATICS



## PANEL CUTOUT



# Mouser Electronics

Authorized Distributor

Click to View Pricing, Inventory, Delivery & Lifecycle Information:

## E-Switch:

[R1973BBLKREDF0](#) [R1973ABLKGILEF1](#) [R1973ABLKBLKGR0](#) [R1973ABLKGRNEF1](#) [R1973BBLKBLKGR0](#)  
[R1973BBLKBLKFF0](#) [R1973BBLKREDF1](#) [R1973ABLKBLKAR0](#) [R1973ABLKGILEF2](#) [R1973ABLKGILEF3](#)  
[R1973ABLKGILFF6](#) [R1973ABLKREDEF1](#) [R1973ABLKREDEF2](#) [R1973ABLKRLIF3](#) [R1973BBLKBILIF6](#)  
[R1973BBLKBLKFL0](#) [R1973BBLKBLKIF0](#) [R1973BBLKBLKIL0](#) [R1973BBLKGILGR1](#) [R1973BBLKREDF2](#)  
[R1973BBLKREDIF2](#) [R1973BWHTRILIF1](#) [R1973ABLKBLKEF0](#) [R1973ABLKBLKER0](#) [R1973ABLKBLKFF0](#)  
[R1973ABLKBLKIF0](#) [R1973ABLKGILFF3](#) [R1973ABLKGILGF3](#) [R1973ABLKORGER6](#) [R1973ABLKORGIF1](#)  
[R1973ABLKREDEF3](#) [R1973ABLKREDF2](#) [R1973ABLKREDF4](#) [R1973ABLKREDIF0](#) [R1973ABLKRIEF1](#)  
[R1973ABLKRIEF4](#) [R1973ABLKRIFF3](#) [R1973ABLKRIIF1](#) [R1973ABLKWHTIR0](#) [R1973ABLKYLEF1](#)  
[R1973ABLKYLEF3](#) [R1973ABLKYLFF3](#) [R1973AGRYRILGF1](#) [R1973AWHTGILEF3](#) [R1973BBLKBILIF1](#)  
[R1973BBLKBILIF2](#) [R1973BBLKBLKAF0](#) [R1973BBLKBLKDF0](#) [R1973BBLKBLKEF0](#) [R1973BBLKBLKER0](#)  
[R1973BBLKBLKFR0](#) [R1973BBLKBLKGF0](#) [R1973BBLKBLKGL0](#) [R1973BBLKGILEF2](#) [R1973BBLKGILFF1](#)  
[R1973BBLKGILFF2](#) [R1973BBLKGILFR2](#) [R1973BBLKGILGF6](#) [R1973BBLKGILIF1](#) [R1973BBLKGILIF2](#)  
[R1973BBLKORGEF1](#) [R1973BBLKREDAR0](#) [R1973BBLKREDEF2](#) [R1973BBLKREDIF0](#) [R1973BBLKRILAF2](#)  
[R1973BBLKRILEF1](#) [R1973BBLKRILEF4](#) [R1973BBLKRILFF3](#) [R1973BBLKRILGF6](#) [R1973BBLKRILIF1](#)  
[R1973BBLKWHTFF0](#) [R1973BWHTGILFF4](#) [R1973ABLKGRNFF1](#) [R1973ABLKGRNIF3](#) [R1973BBLKRILKF1](#)  
[R1973BWHTWHTFF0](#) [R1973ABLKBLKIR0](#) [R1973ABLKGILFF4](#) [R1973BBLKGILEL3](#) [R1973ABLKGRNEF6](#)  
[R1973ABLKGRNFF2](#) [R1973BBLKYLEF3](#)