

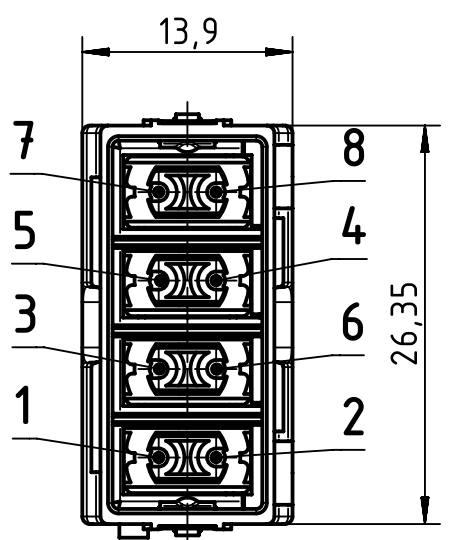
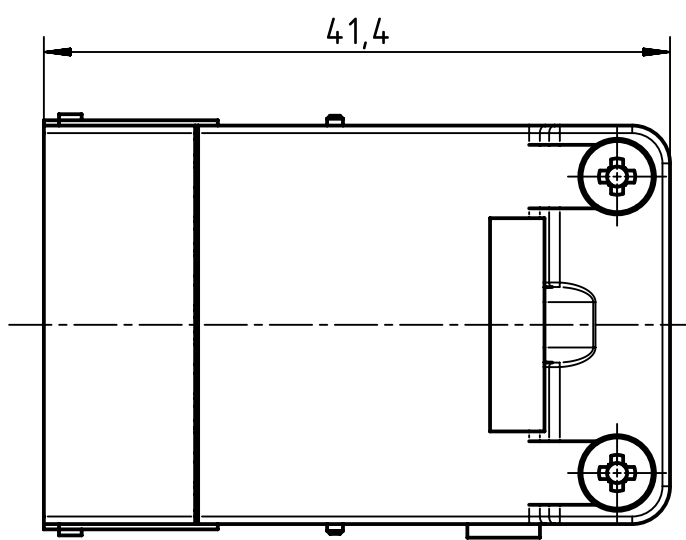
1 2 3 4 5 6

A

B

C

D

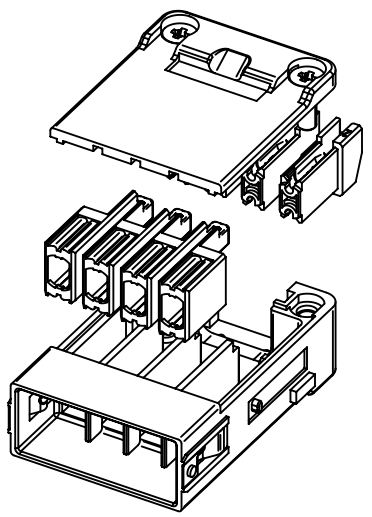


wiring acc. EIA/TIA 568A
view from termination side

brown	8•	•7	white/brown
blue	4•	•5	white/blue
orange	6•	•3	white/orange
green	2•	•1	white/green

wiring acc. EIA/TIA 568B
view from termination side

brown	8•	•7	white/brown
blue	4•	•5	white/blue
green	6•	•3	white/green
orange	2•	•1	white/orange



Kind of delivery: piece parts

	All Dimensions in mm Original Size DIN A4	Scale 2:1	Free size tol.		Ref.	
	All rights reserved Department EL PD	Created by TEICHRIBR	Inspected by RIEPE	Standardisation RUETERA	Date 2018-05-09	State Final Release
HARTING Electric GmbH & Co. KG D-32339 Espelkamp		Title Han Gigabit insert male			Doc-Key / ECM-Nr. 100174322/UGD/007/C 500000134992	
		Type TB	Number 09 14 008 3011		Rev. C	Page 1/1

Mouser Electronics

Authorized Distributor

Click to View Pricing, Inventory, Delivery & Lifecycle Information:

[HARTING:](#)

[09140083011](#)