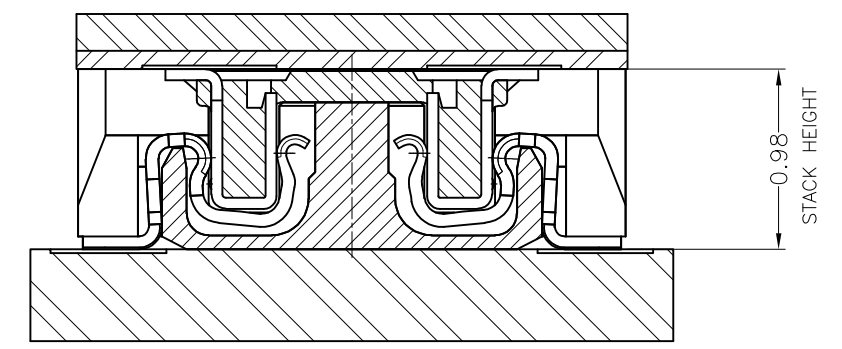
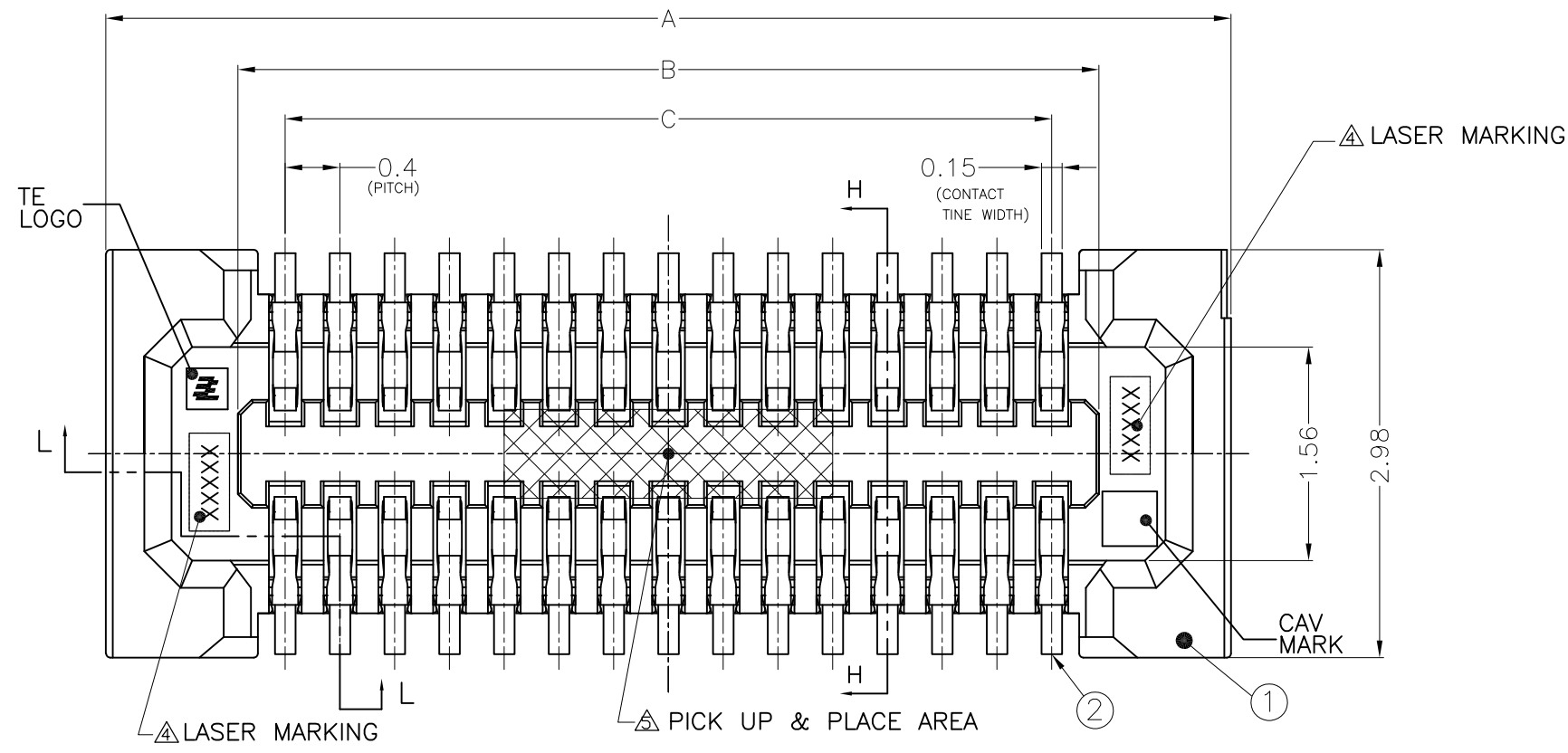
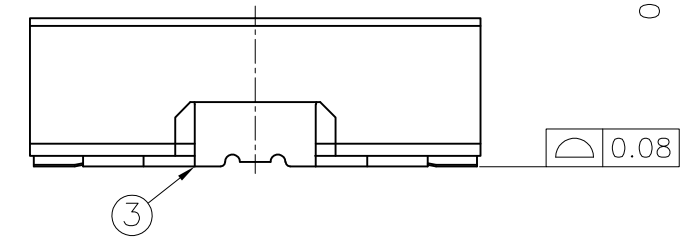
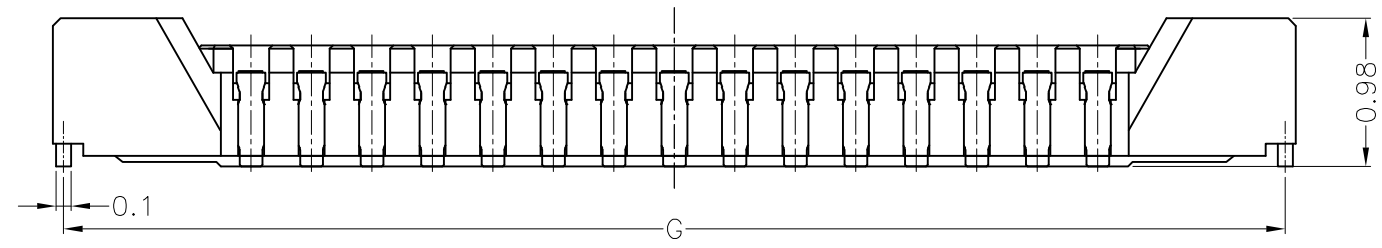
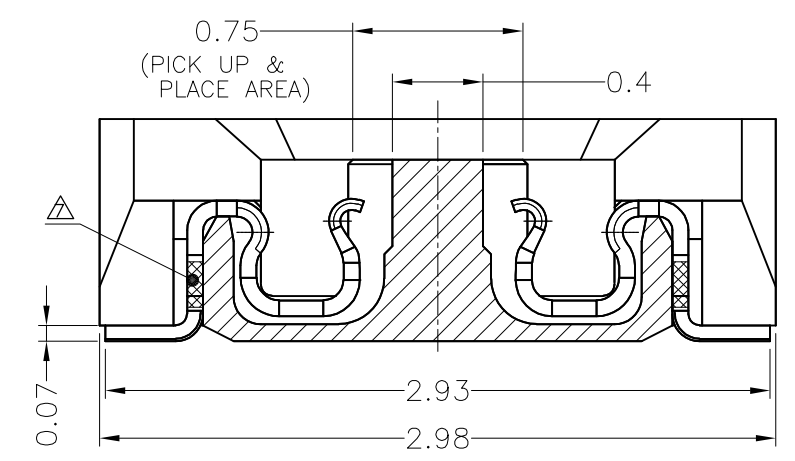


THIS DRAWING IS UNPUBLISHED. RELEASED FOR PUBLICATION
 © COPYRIGHT - By Tyco Electronics Japan G.K. ALL RIGHTS RESERVED.

LOC	DIST	REVISIONS				
P	LTR	DESCRIPTION	LTR	DATE	DWN	APVD
J	-	A	RELEASED	02AUG2012	C.H	T.K



MATING CROSS SECTION (30:1)



Ni UNDER PL.; 0.65um Sn PL.; 2~5um	COPPER ALLOY	REC PEG	3
Ni UNDER PL.; 0.65um Au PL.(CONTACT AREA); 0.1um MIN. Au PL.(TINE AREA); 0.05um MIN.	COPPER ALLOY	REC CONTACT	2
	LCP,UL94V-0,BLACK	REC HOUSING	1
△ FINISH	△ MATERIAL	NAME	ITEM NO.

THIS DRAWING IS A CONTROLLED DOCUMENT.

DIMENSIONS: mm	TOLERANCES UNLESS OTHERWISE SPECIFIED:
	0 PLC ± 0.1 1 PLC ± 0.1 2 PLC ± 0.1 3 PLC ± 0.1 4 PLC ± 0.1 ANGLES ± 3°
MATERIAL	FINISH
△	△

DWN	C.HIKAGE	02AUG2012
CHK	A.KUBO	02AUG2012
APVD	T.KUSUHARA	02AUG2012
PRODUCT SPEC	108-78916	
APPLICATION SPEC	411-78379	
WEIGHT	A3	
CUSTOMER DRAWING		



NAME				0.4mm PITCH STACKING CONNECTOR RECEPTACLE ASSEMBLY 0.98mm HEIGHT			
SIZE	CAGE CODE	DRAWING NO	RESTRICTED TO				
A3	00779	C-2201197	-				
SCALE		SHEET		REV			
20:1		1 OF 3		A			

THIS DRAWING IS UNPUBLISHED.

RELEASED FOR PUBLICATION

© COPYRIGHT - By Tyco Electronics Japan G.K.

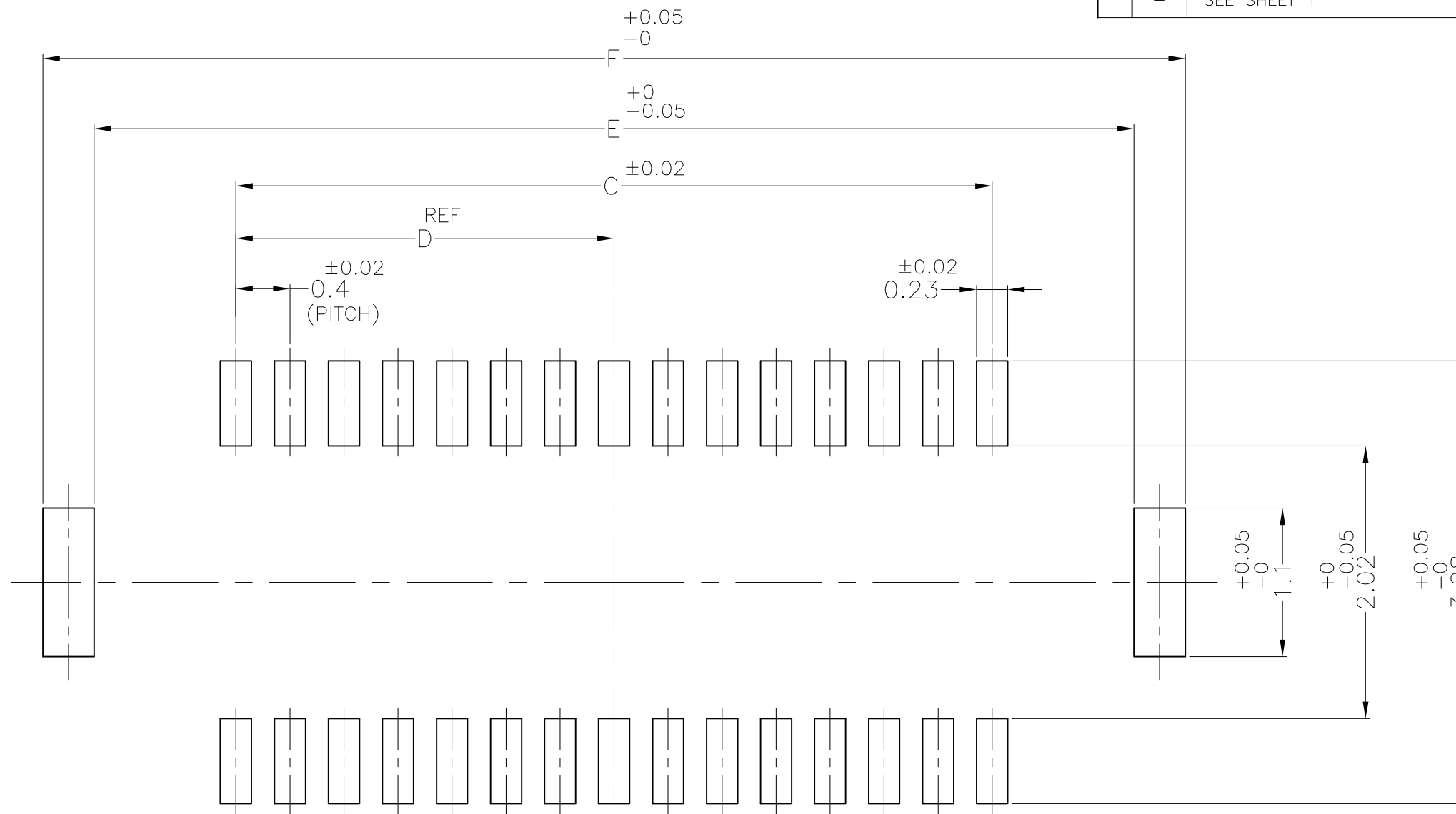
ALL RIGHTS RESERVED.

LOC
J

DIST
-

REVISIONS

P	LTR	DESCRIPTION	LTR	DATE	DWN	APVD
-	-	SEE SHEET 1	-	-	-	-



△ REFERENCE PCB LAYOUT
(VIEWED FROM MOUNTING SIDE)

NOTE

- ① MATERIAL REFER TO THE TABLE.
- ② FINISH REFER TO THE TABLE.
- 3. MATING CONNECTOR : P/N: *-2201196-*
- ④ LASER MARKING: ~~XXXXXX~~
DATE CODE MACHINE CODE
(YWW)
- ⑤ PICK UP THE CONNECTOR AT CENTER
- ⑥ RECOMMENDED METAL MASK; THICKNESS 0.1mm
- ⑦ Ni DAM AREA

THIS DRAWING IS A CONTROLLED DOCUMENT.		DWN	TE Connectivity			
DIMENSIONS: mm		CHK				
TOLERANCES UNLESS OTHERWISE SPECIFIED:		APVD	NAME			
0 PLC ± 0.1		PRODUCT SPEC	0.4mm PITCH STACKING CONNECTOR RECEPTACLE ASSEMBLY 0.98mm HEIGHT			
1 PLC ± 0.1		APPLICATION SPEC	SIZE	CAGE CODE	DRAWING NO	RESTRICTED TO
2 PLC ± 0.1		MATERIAL	A3	00779	C-2201197	
3 PLC ± 0.1			CUSTOMER DRAWING			
4 PLC ± 0.1		FINISH	SCALE	SHEET	REV	
ANGLES ± 3°			NTS	2 OF 3	A	

THIS DRAWING IS UNPUBLISHED.

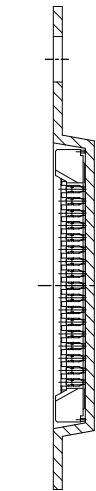
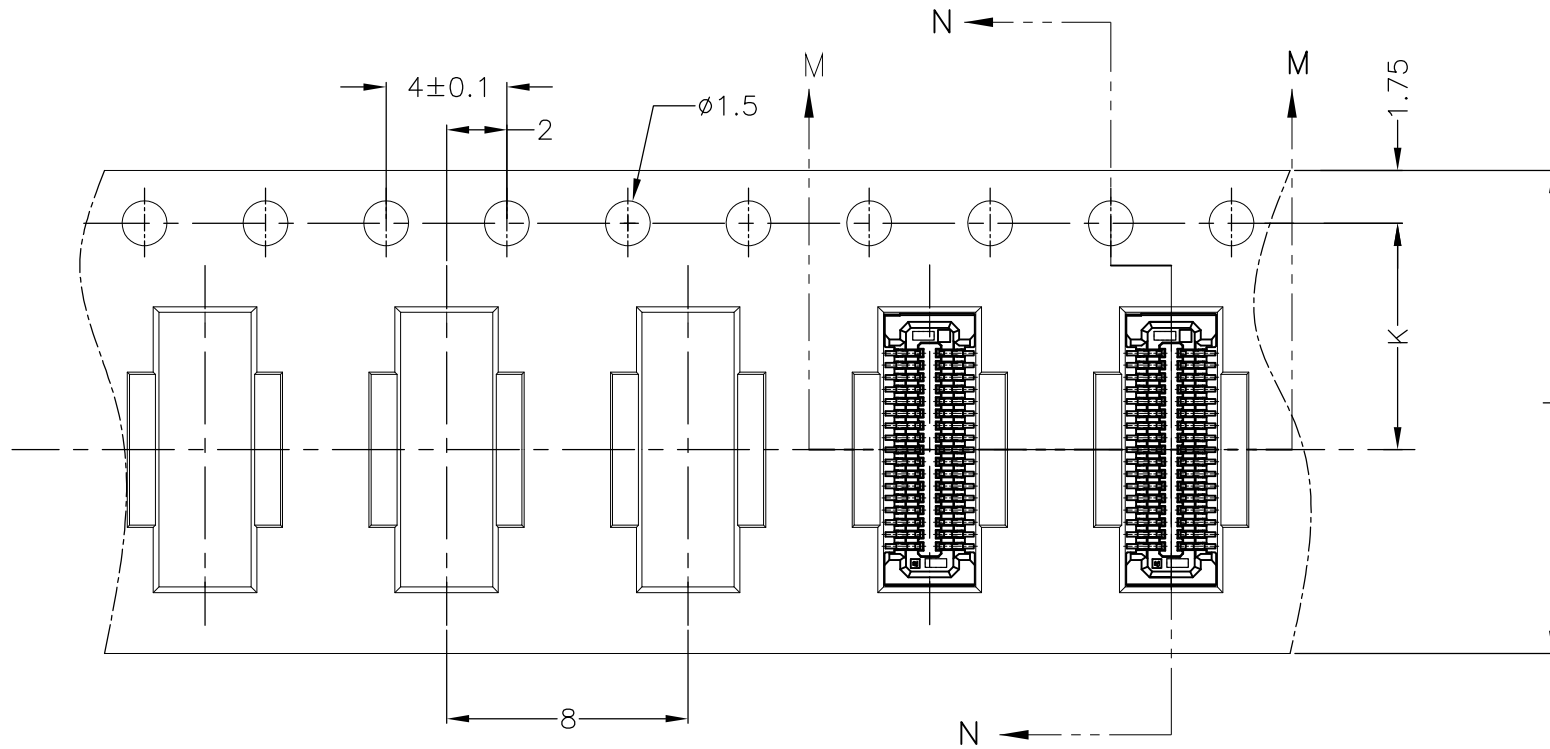
RELEASED FOR PUBLICATION

© COPYRIGHT - By Tyco Electronics Japan G.K.

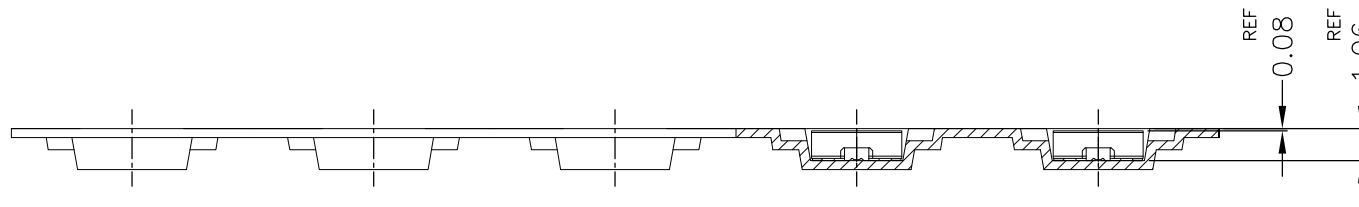
ALL RIGHTS RESERVED.

LOC	DIST	REVISIONS					
		P	LTR	DESCRIPTION	LTR	DATE	DWN
J	-	-	-	SEE SHEET 1	-	-	-

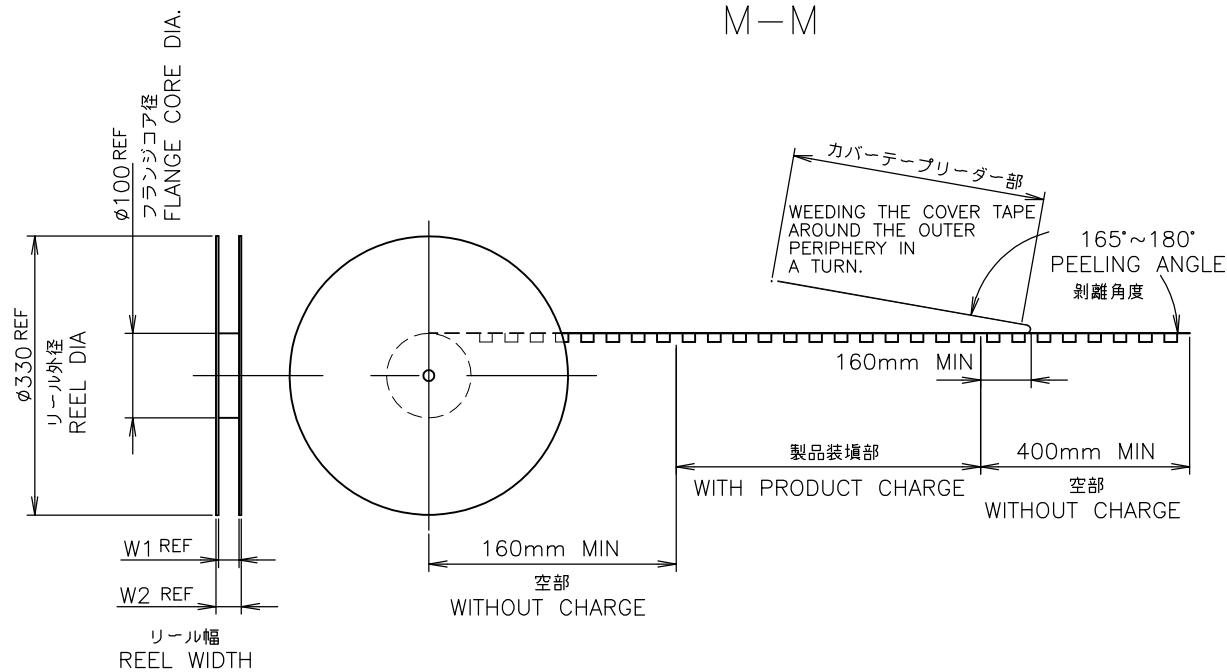
UNREELING DIRECTION 



N-N



M-M



814.5	22.1	17.5	7.5	16	8.08	8.46	7.7	2.8	5.6	6.29	8.22	5000	30	3-2201197-0
797.5	22.1	17.5	7.5	16	6.88	7.26	6.5	2.2	4.4	5.09	7.02		24	2-2201197-4
757.0	18.1	13.5	5.5	12	4.08	4.46	3.7	0.8	1.6	2.29	4.22		10	1-2201197-0
REEL WEIGHT(g)	W2	W1	K	J	G	F	E	D	C	B	A	QTY/REEL	Pos.	PART NUMBER

THIS DRAWING IS A CONTROLLED DOCUMENT.

STE TE Connectivity

0.4mm PITCH STACKING CONNECTOR RECEPTACLE ASSEMBLY 0.98mm HEIGHT

SIZE: A3 CAGE CODE: 00779 DRAWING NO: C-2201197

CUSTOMER DRAWING SCALE: NTS SHEET: 3 of 3 REV: A

Mouser Electronics

Authorized Distributor

Click to View Pricing, Inventory, Delivery & Lifecycle Information:

[TE Connectivity:](#)

[1-2201197-0](#)