

Cable Gland *EMC - Nickel-Plated Brass*

Material:

- Body: Nickel-plated brass
- Seal: Santoprene
- O-ring: Perbunan

Characteristics:

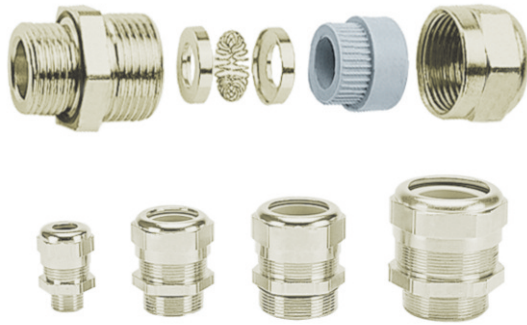
- PG thread

Technical properties:

- EMC protection due to pressure rings and circular spring
- Gas tight and watertight
- Completely twist protected

Applications:

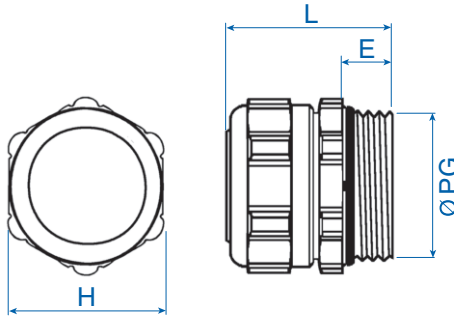
- Machines and devices
- Measuring and control engineering
- Plant installations



Temperature Range
 -25 to 100°C
 (-13 to 212°F)

Outer thread	Cable Clamping range mm	Shield Clamping range mm	Cat. No.	Std. Pk.
PG				
PG 9	4 - 6	2.5 - 6	4266 003	25
PG 9	6.5 - 9.5	2.2 - 6.5	4266 004	25
PG 9	6.5 - 9.5	3.5 - 8.5	4266 005	25
PG 11	7 - 10.5	4 - 8.5	4266 008	25
PG 13.5	6 - 9	3.5 - 7.5	4266 011	25
PG 13.5	7 - 10.5	4 - 8	4266 013	25
PG 16	6 - 10.5	6 - 9	4266 014	25
PG 16	8 - 12	6 - 9.5	4266 018	25
PG 16	10 - 14	9 - 13	4266 016	25
PG 21	14 - 18	12.5 - 17.5	4266 025	20
PG 21	17 - 20	12.5 - 17.5	4266 022	20
PG 29	19 - 23	15 - 21	4266 028	20
PG 36	25 - 29	18 - 25.5	4266 031	10

Thread Size	Dimensions			ØPG
	H mm	E mm	L mm	
PG9	20	6	34	15.2
PG11	24	10	41	18.6
PG13.5	24	10	41	20.4
PG16	30	11	43	22.5
PG21	30	12	44	28.3
PG29	40	13	53	37.0
PG36	50	14	61	47.0
PG42	60	15	65	54.0



This is one of our most popular series and is usually kept in stock.

Locknuts sold separately, see page 25.

Mouser Electronics

Authorized Distributor

Click to View Pricing, Inventory, Delivery & Lifecycle Information:

Altech:

[4305299](#) [4305078](#) [4308131](#) [4308166](#) [4305503](#) [4305507](#) [4305514](#) [4305361](#) [4305485](#) [4305508](#) [4305116](#)
[4305167](#) [4305511](#) [4308532](#) [4305426](#) [4305501](#) [4305510](#) [4305515](#) [4305512](#) [4305213](#) [4308516](#) [4305513](#)
[4305506](#) [4308212](#) [4308298](#) [4305505](#) [4305509](#) [4308525](#) [4308520](#) [4305500](#) [4308533](#) [4305502](#) [4305504](#)
[4305094](#) [4305132](#) [4308521](#) [4308093](#) [4308115](#) [4308526](#)