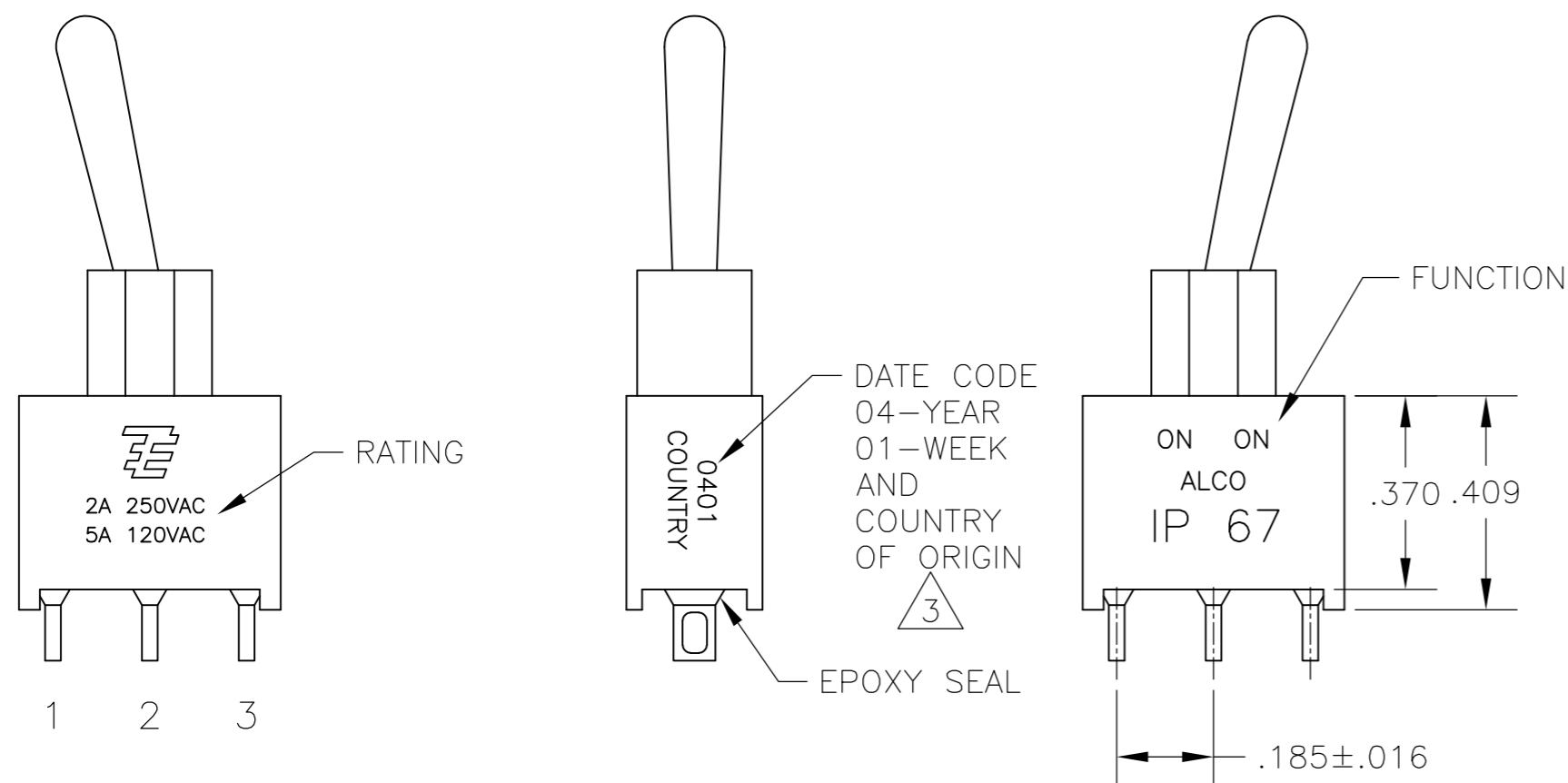
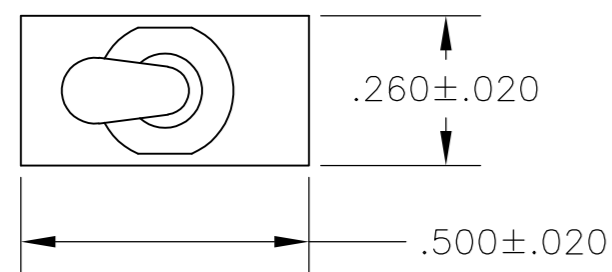


THIS DRAWING IS UNPUBLISHED. RELEASED FOR PUBLICATION
 © COPYRIGHT - By - ALL RIGHTS RESERVED.

LOC	DIST	REVISIONS			
P	LTR	DESCRIPTION	DATE	DWN	APVD
AD	00	A4	REVISED PER ECO-14-005988	23APR2014	NK RH



- 1 ALL MATERIALS AND FINISHES SHALL COMPLY WITH EU DIRECTIVE 2002/95/EC OF 27JAN2003 (ROHS).
- 2 G CONTACT OPTION CAN BE USED FOR SIGNAL OR POWER LEVEL SWITCHING. IF SWITCH IS USED AT LEVELS EXCEEDING .4VA @ 20V AC/DC, SWITCH IS RENDERED FOR POWER SWITCHING ONLY DUE TO ARC REMOVAL OF GOLD PLATING. RATING MARKED ON SWITCH IS 2A 250VAC, 5A 120VAC.
- 3 SWITCHES MEETS REQUIREMENTS OF IP67.
- 4 DATE CODE AND COUNTRY OF ORIGIN MAY APPEAR ON EITHER SIDE OF SWITCH.
- 5 ALL LOGO, RATING, DATE CODE, AND FUNCTION MARKINGS TO BE LASER MARKED.

FUNCTION CHART			
FUNCTION	1 2 3	1 2 3	1 2 3
01	ON	NONE	ON
03	ON	OFF	ON
05	(ON)	OFF	(ON)
07	ON	OFF	(ON)
08	ON	NONE	(ON)
TERMINALS CONNECTED	2-3	---	1-2

NONE: NO MECHANICAL POSITION
 OFF: MECHANICAL POSITION WITH NO MECHANICAL CONNECTION
 (ON): MOMENTARY ACTION

SPECIFICATIONS CHART	
RATING, B CONTACTS	.4VA MAX @20V MAX. AC OR DC
RATING, G CONTACTS—SEE NOTE 2	.4VA MAX @20V MAX. AC OR DC OR
	5A @120 VAC OR 28 VDC (RESISTIVE)
RATING, Q CONTACTS	2A @250 VAC (RESISTIVE)
	5A @120 VAC OR 28 VDC (RESISTIVE)
ELECTRICAL LIFE	6,000 CYCLES AT RATED LOAD
CONTACT RESISTANCE	10 MILLIOHMS MAX INITIAL @ 2-4VDC, 100ma
INSULATION RESISTANCE	1,000 MEGOHMS MIN
DIELECTRIC WITHSTANDING VOLTAGE	1,000 V RMS AT SEA LEVEL
OPERATING TEMPRATURE	-30C TO 85C

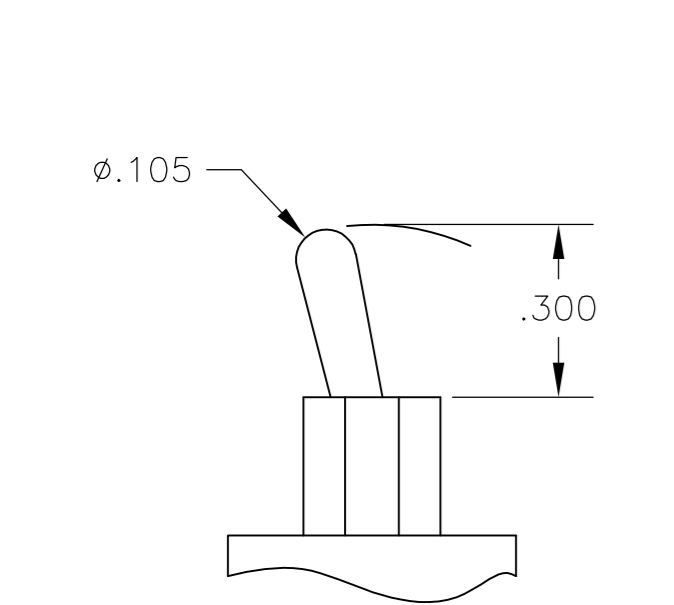
PART NUMBER SEQUENCE CHART						
MODEL	FUNCTION	TOGGLE	BUSHING	TERMINAL	CONTACT	RoHS
AE1	01	M	D1	A	B	04
	03	S		AV2	G	
	05			C	Q	
	07			V30		
	08			V40		
				W		
				W4		
				Z		
				Z3		

EXAMPLE: AE101SD1CQ04

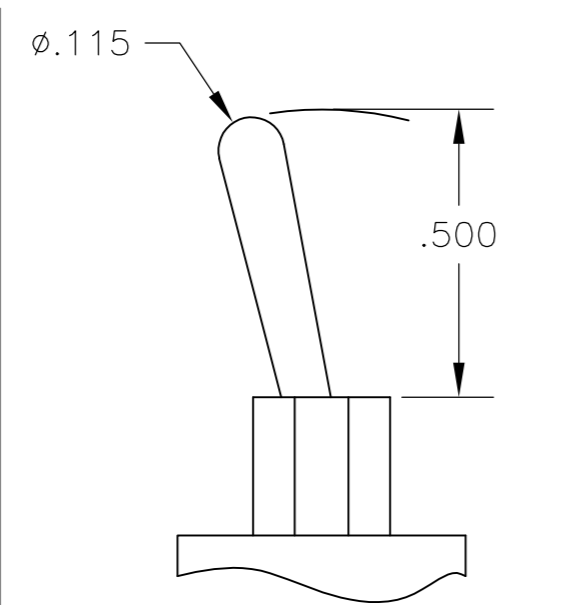
THIS DRAWING IS A CONTROLLED DOCUMENT.		DWN M. ZITTO 18MAY05	TE Connectivity GEMINI AE SERIES TOGGLE SWITCH, SINGLE POLE	
DIMENSIONS: INCHES		CHK M. ZITTO		
TOLERANCES UNLESS OTHERWISE SPECIFIED:		APVD M. ZITTO	NAME	
0 PLC ± -	1 PLC ± -	PRODUCT SPEC	GEMINI AE SERIES TOGGLE SWITCH, SINGLE POLE	
2 PLC ± -	3 PLC ± .010	APPLICATION SPEC	SIZE A2	CAGE CODE 00779
4 PLC ± -	ANGLES ± 2°	WEIGHT -	DRAWING NO C=1825142	RESTRICTED TO -
MATERIAL -	FINISH -	CUSTOMER DRAWING	SCALE 3:1	SHEET 1 of 3
			REV A4	

THIS DRAWING IS UNPUBLISHED. RELEASED FOR PUBLICATION
 © COPYRIGHT - By - ALL RIGHTS RESERVED.

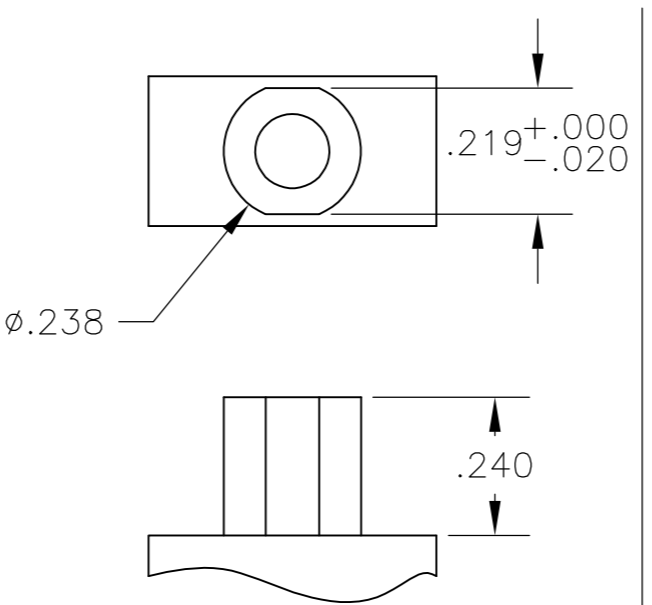
LOC		DIST		REVISIONS			
P	LTR	DATE	DWN	APVD	DESCRIPTION		
AD	00	-	-	-	SEE SHEET 1		



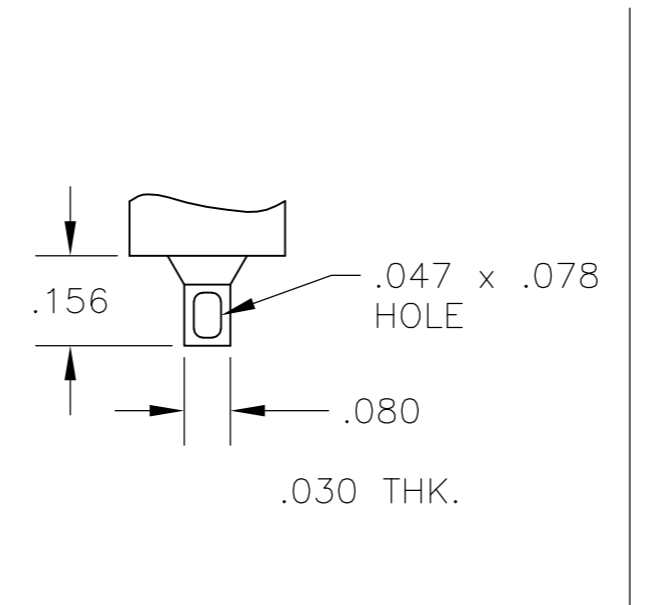
M SHORT



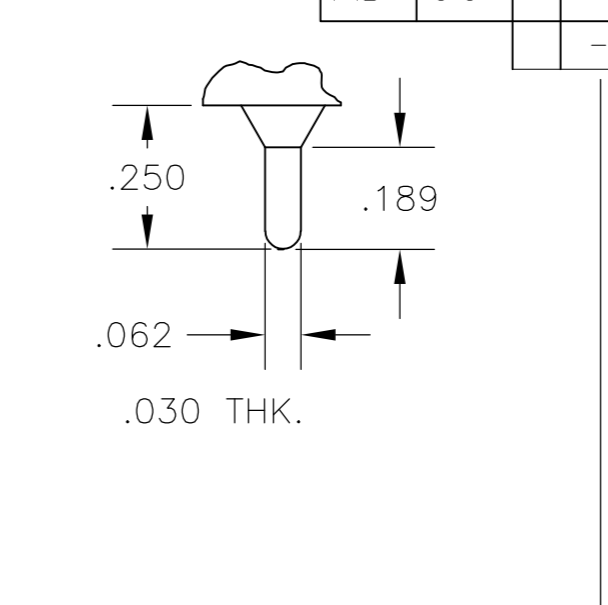
S STANDARD



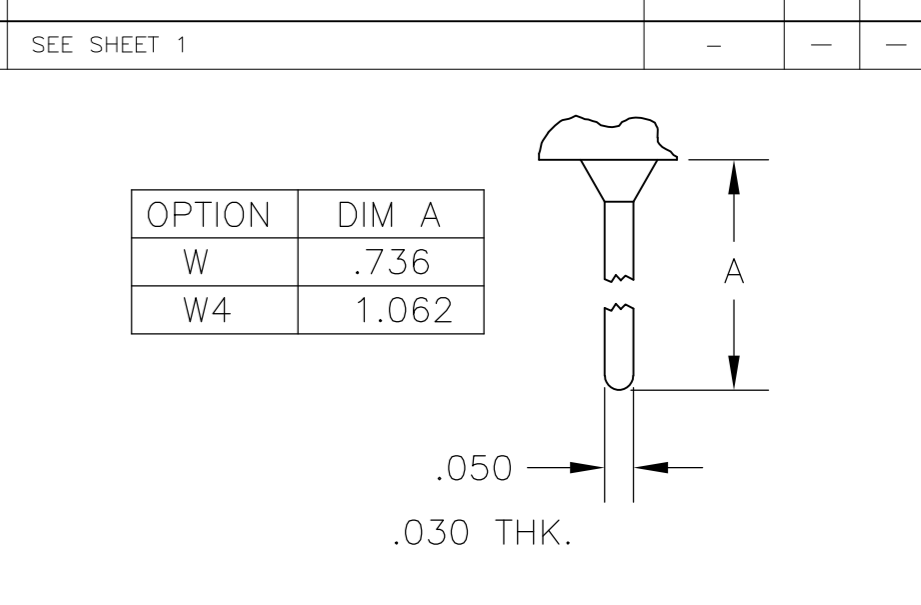
D1 BUSHING



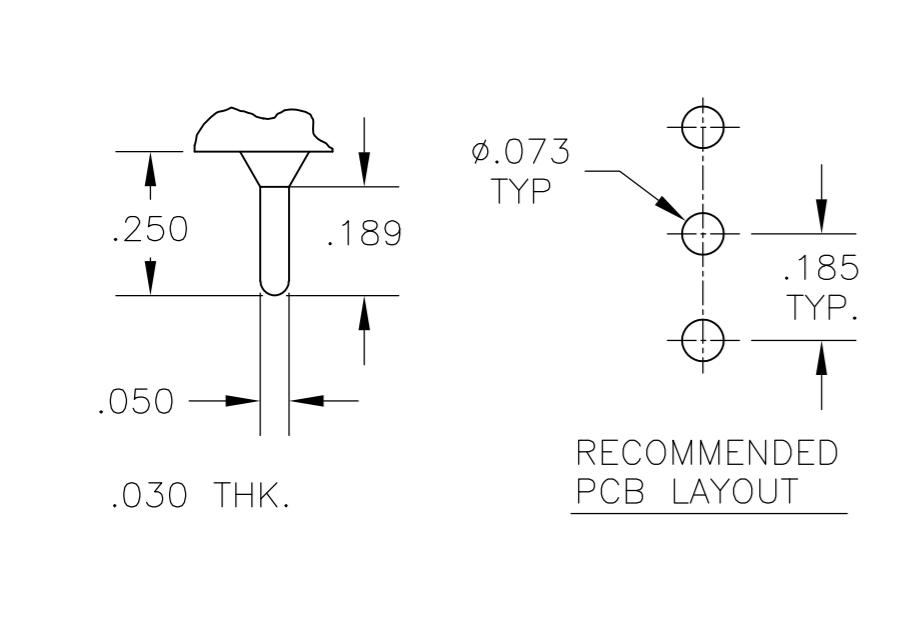
Z WIRE LUG



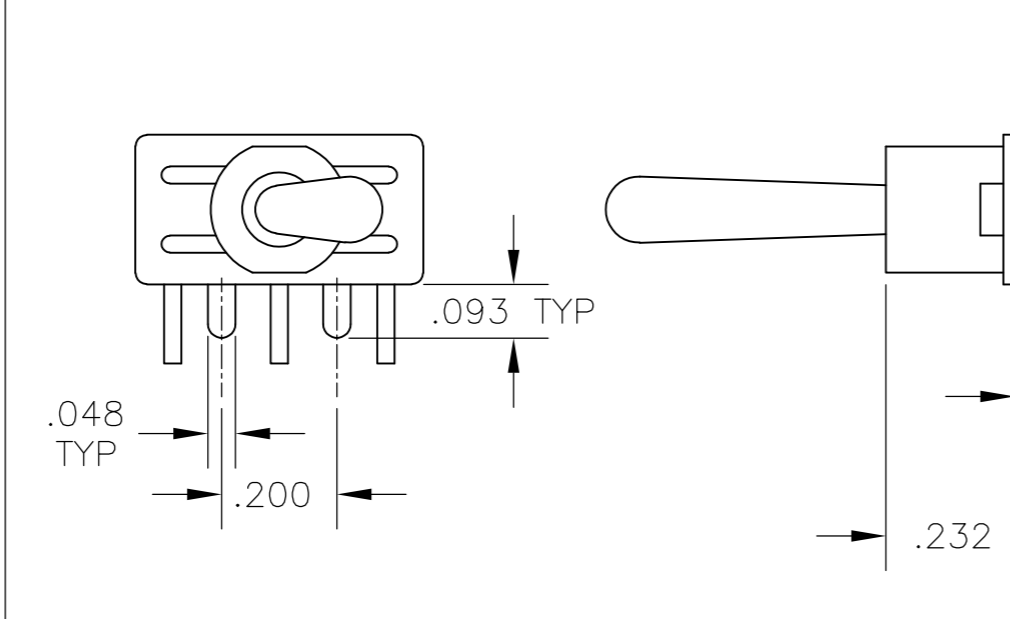
Z3 QUICK CONNECT



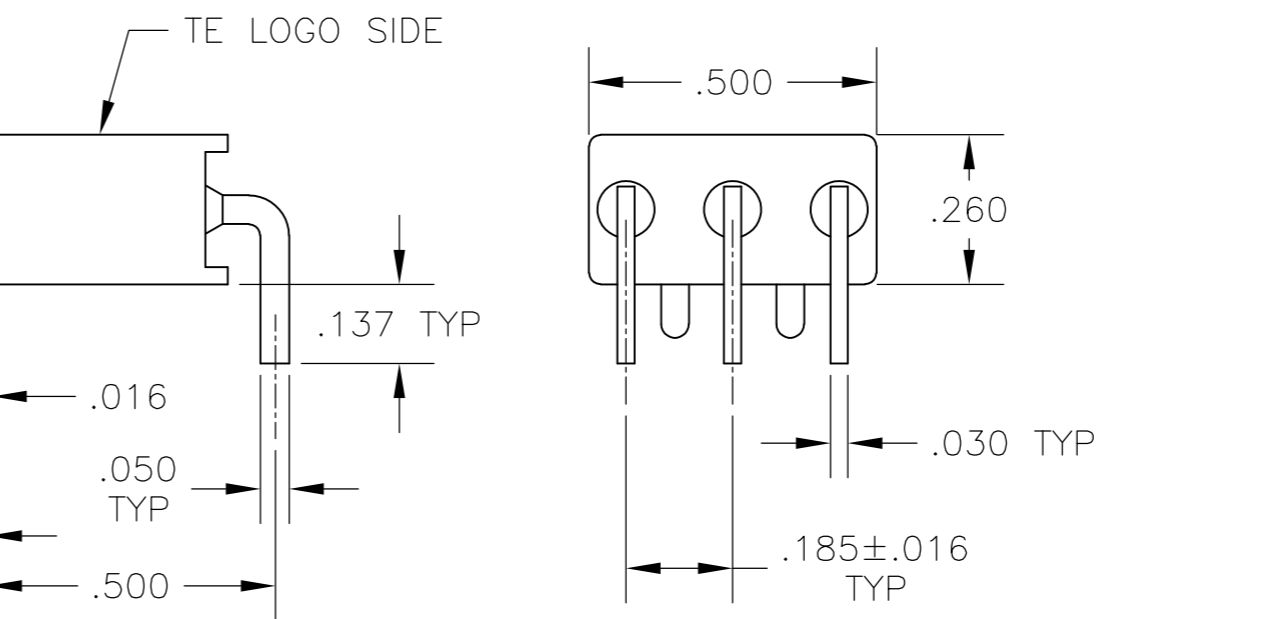
W **W4** WIRE WRAP



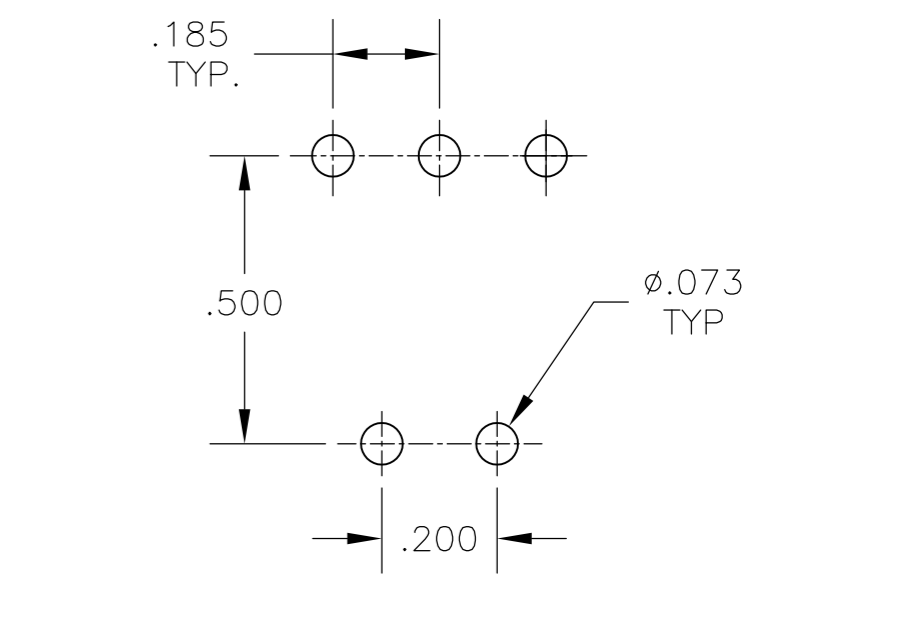
C PRINTED CIRCUIT



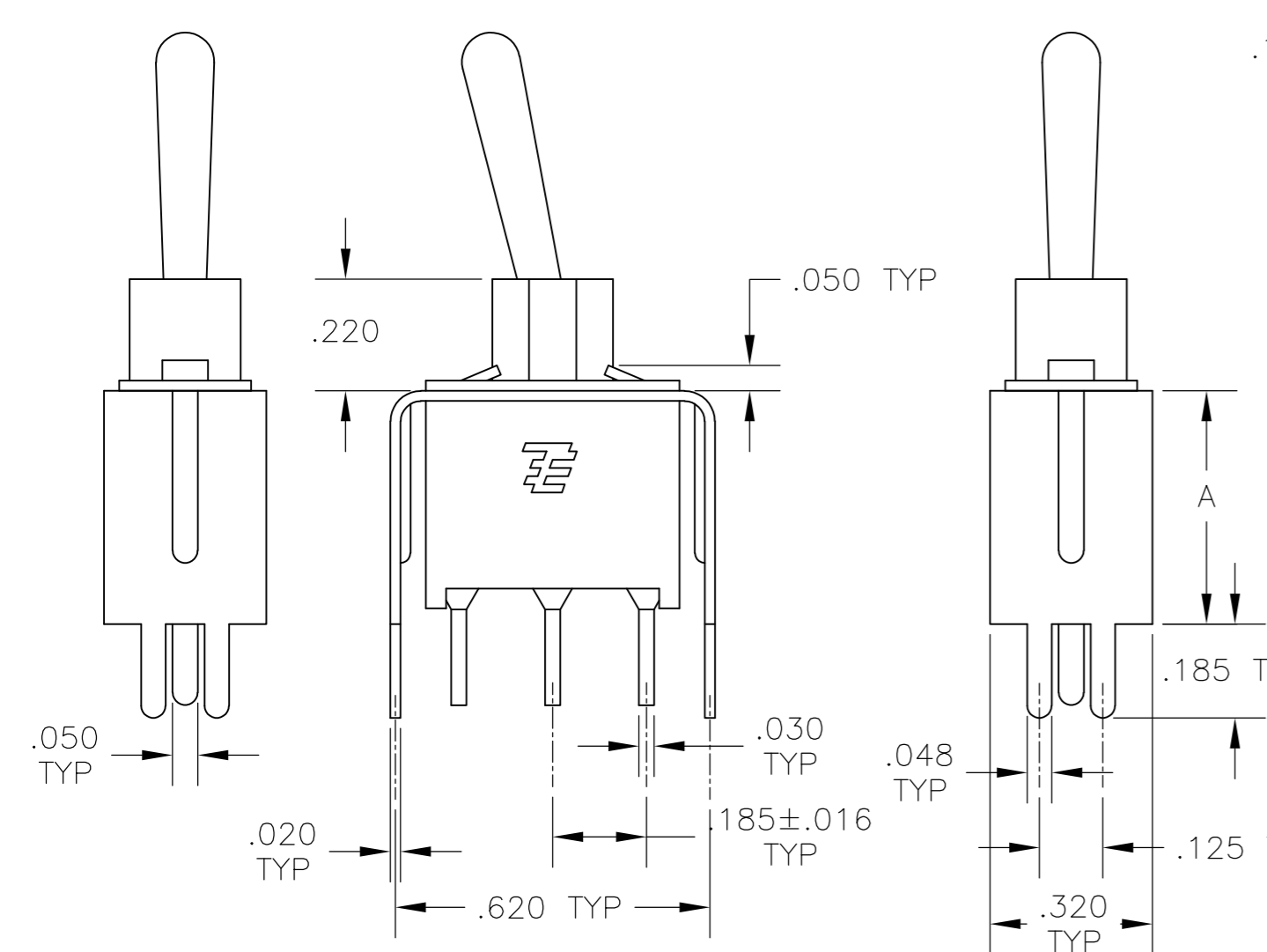
A RIGHT ANGLE



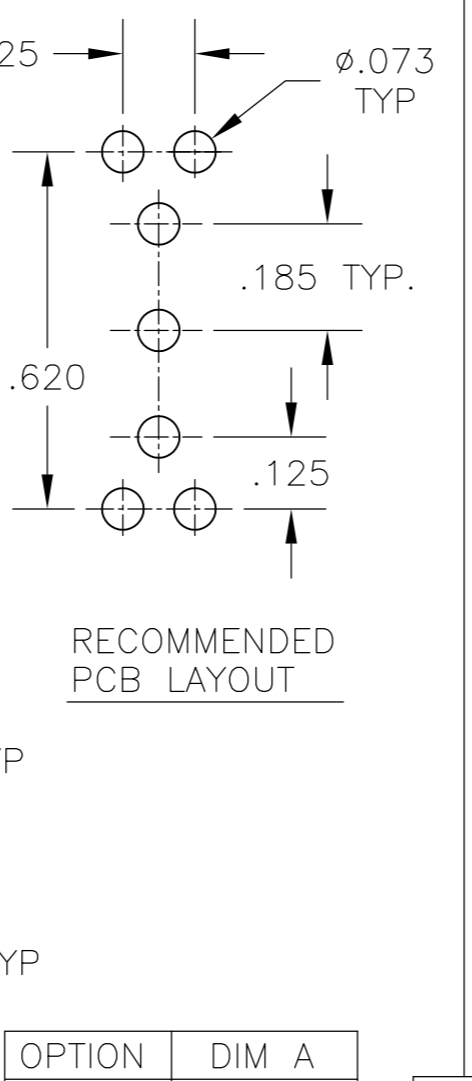
AV2 VERTICAL RIGHT ANGLE



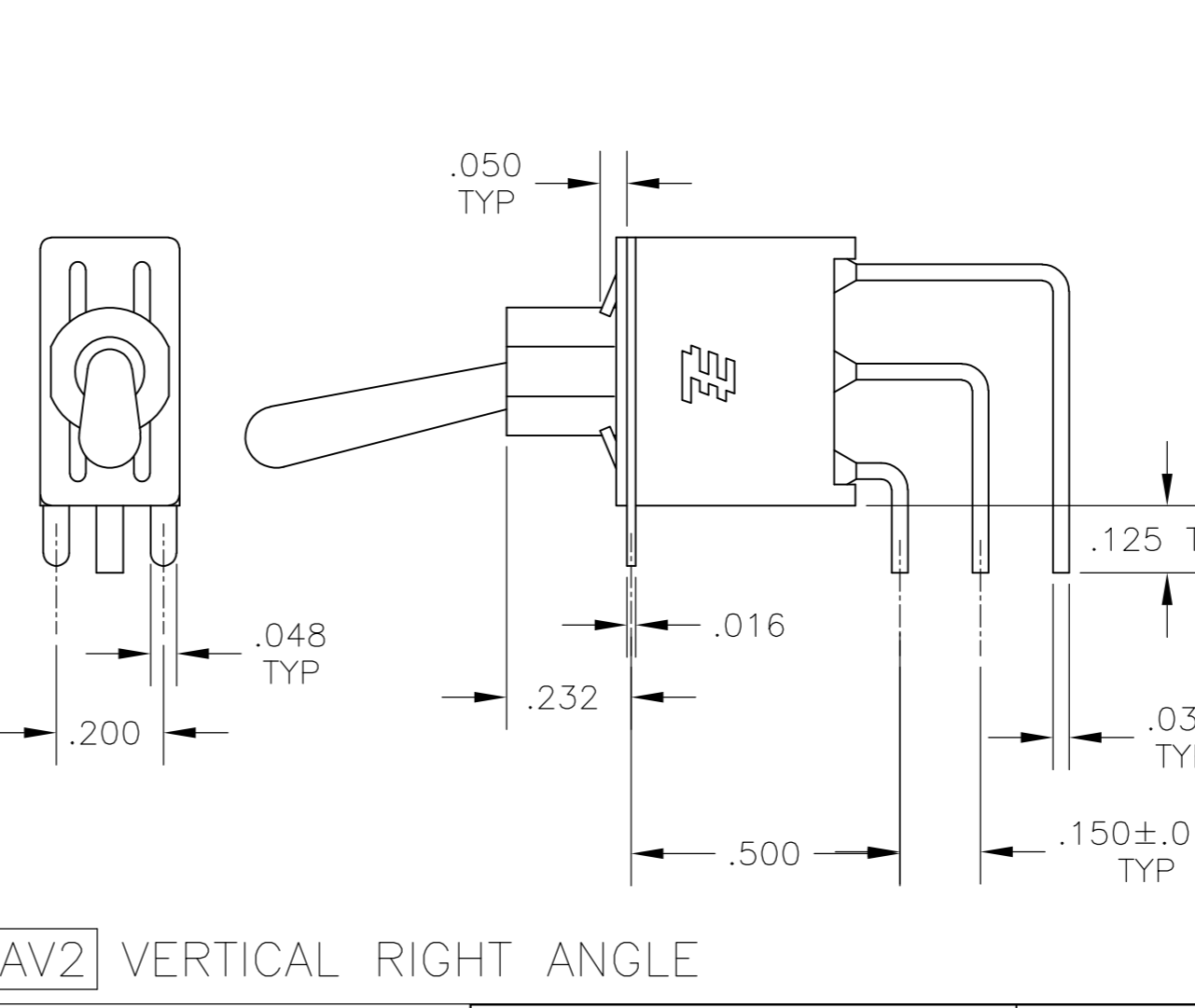
RECOMMENDED PCB LAYOUT



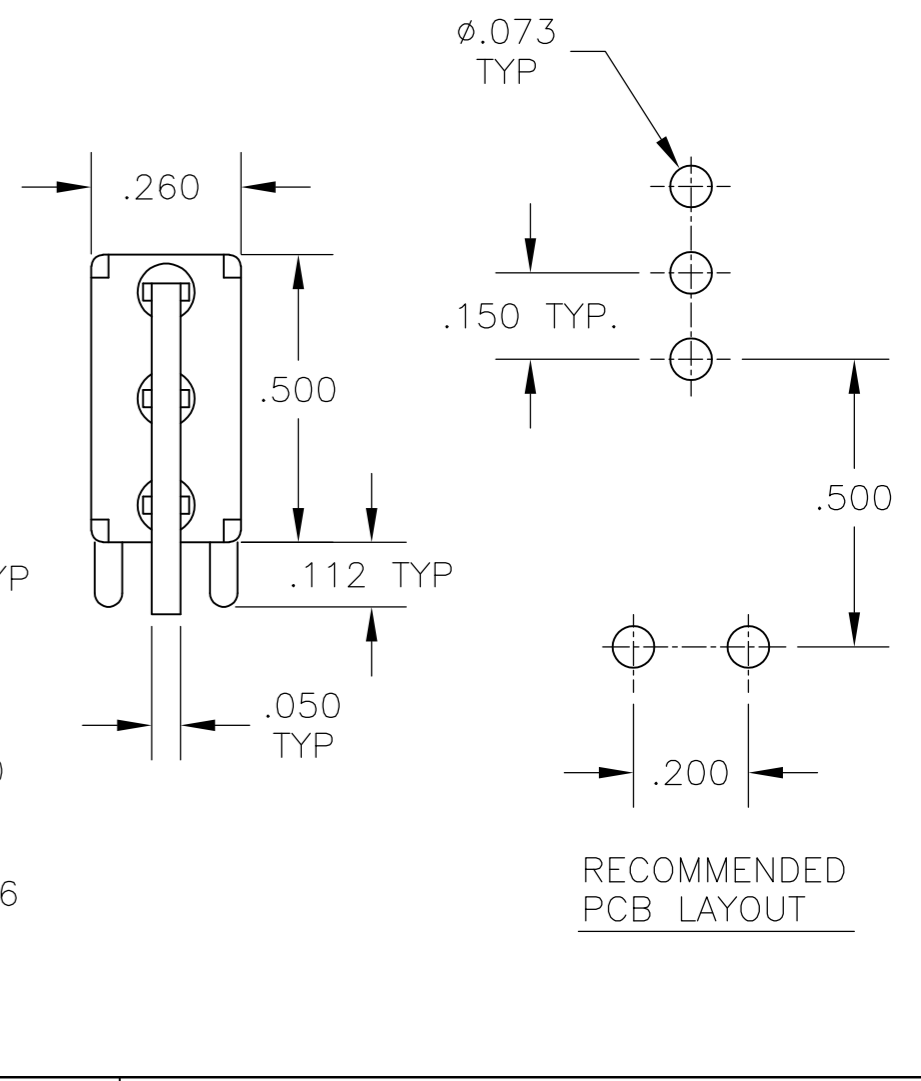
V30 **V40** VERTICAL SUPPORT BRACKET



OPTION	DIM A
V30	.460
V40	.630



AV2 VERTICAL RIGHT ANGLE



RECOMMENDED PCB LAYOUT

THIS DRAWING IS A CONTROLLED DOCUMENT.

DWN	M. ZITTO	18MAY05
CHK	M. ZITTO	-
APVD	M. ZITTO	-
PRODUCT SPEC	-	-
APPLICATION SPEC	-	-
WEIGHT	-	-
CUSTOMER DRAWING	-	-

SIZE	A2	CAGE CODE	00779	DRAWING NO	C=1825142	RESTRICTED TO	-
SCALE	3:1	SHEET	2 of 3	REV	A4		

TE TE Connectivity
 GEMINI AE SERIES TOGGLE SWITCH, SINGLE POLE


THIS DRAWING IS UNPUBLISHED. RELEASED FOR PUBLICATION
 © COPYRIGHT - By - ALL RIGHTS RESERVED.

LOC	DIST	REVISIONS			
P	LTR	DESCRIPTION	DATE	DWN	APVD
AD	00	SEE SHEET 1	-	-	-

Alco P/N	TE P/N
AE101MD1AB04	1825142-1
AE101MD1AG04	1825142-2
not assigned	1825142-3
AE101MD1AQ04	1825142-4
AE101MD1AV2B04	1825142-5
AE101MD1AV2Q04	1825142-6
not assigned	1825142-7
AE101MD1CB04	1825142-8
AE101MD1CG04	1825142-9
AE101MD1CQ04	1-1825142-0
AE101MD1V30B04	1-1825142-1
AE101MD1V30Q04	1-1825142-2
AE101MD1W4B04	1-1825142-3
AE101MD1W4Q04	1-1825142-4
AE101SD1AB04	1-1825142-5
AE101SD1AQ04	1-1825142-6
not assigned	1-1825142-7
AE101SD1AV2B04	1-1825142-8
AE101SD1AV2Q04	1-1825142-9
AE101SD1CB04	2-1825142-0
AE101SD1CQ04	2-1825142-1
AE101SD1V30B04	2-1825142-2
AE101SD1V30Q04	2-1825142-3
AE103MD1AB04	2-1825142-4
AE103MD1AV2B04	2-1825142-5
AE103MD1CB04	2-1825142-6
NOT ASSIGNED	2-1825142-7
AE103MD1W4B04	2-1825142-8
AE103SD1AV2B04	2-1825142-9
AE103SD1CB04	3-1825142-0
AE103SD1CQ04	3-1825142-1
not assigned	3-1825142-2
AE103SD1V30B04	3-1825142-3
AE103SD1W4B04	3-1825142-4
AE105MD1AB04	3-1825142-5
AE105MD1AG04	3-1825142-6
AE105MD1AV2B04	3-1825142-7
AE105MD1W4B04	3-1825142-8
AE105SD1CB04	3-1825142-9
AE105SD1V30B04	4-1825142-0

Alco P/N	TE P/N
AE105SD1W4B04	4-1825142-1
AE107MD1AV2B04	4-1825142-2
AE107SD1AB04	4-1825142-3
AE107SD1AG04	4-1825142-4
AE107SD1CB04	4-1825142-5
AE107SD1V30B04	4-1825142-6
AE108MD1AQ04	4-1825142-7
AE108MD1AV2B04	4-1825142-8
AE108MD1AV2Q04	4-1825142-9
AE108SD1AB04	5-1825142-0
AE108SD1AQ04	5-1825142-1
AE108SD1CQ04	5-1825142-2
not assigned	5-1825142-3
AE108SD1V30B04	5-1825142-4
AE108SD1W4B04	5-1825142-5

MATERIALS CHART		
COMPONENT NAME	BASE MATERIAL	FINISH
CASE & BUSHING	NYLON, RED, UL94 V-0	
O-RING	PVC, BLACK	
B TERMINALS & CONTACTS	COPPER	GOLD OVER NICKEL
G TERMINALS & CONTACTS	COPPER	GOLD OVER SILVER
Q TERMINALS & CONTACTS	COPPER	GOLD FLASH OVER SILVER
ACTUATOR	PHENOLIC, BLACK, UL94 V-1	
LEVER	BRASS	CHROME
SPRING	MUSIC WIRE	
PIVOT PIN	STEEL	NICKEL
LOCK WASHER	STAINLESS STEEL	
LOCKING RING	STAINLESS STEEL	
NUTS	BRASS	NICKEL
TERMINAL SEAL	EPOXY, UL94V-0	
MARKING	INK, BLACK	
SUPPORT BRACKET	BRASS OR STEEL	TIN
SUPPORT BRACKET RETAINER	STAINLESS STEEL	

THIS DRAWING IS A CONTROLLED DOCUMENT.		DWN M. ZITTO	18MAY05	 TE Connectivity	
DIMENSIONS: INCHES		CHK M. ZITTO	-		
TOLERANCES UNLESS OTHERWISE SPECIFIED:		APVD M. ZITTO	-	NAME GEMINI AE SERIES TOGGLE SWITCH, SINGLE POLE	
0 PLC ± - 1 PLC ± - 2 PLC ± - 3 PLC ± .010 4 PLC ± - ANGLES ± 2°		PRODUCT SPEC	-	DRAWING NO A2 00779 C=1825142	
MATERIAL		FINISH	-	SCALE 3:1	RESTRICTED TO
		WEIGHT	-	SHEET 3 of 3	REV A4
		CUSTOMER DRAWING			

Mouser Electronics

Authorized Distributor

Click to View Pricing, Inventory, Delivery & Lifecycle Information:

[TE Connectivity:](#)

[AE103SD1CB04](#)