

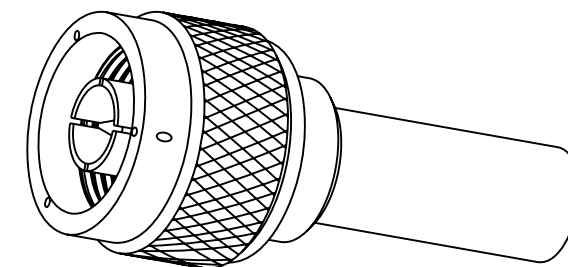
NOTES:

1. MATERIALS AND FINISHES:
 BODY, COUPLING NUT, OUTER CONTACT - BRASS, NICKEL PLATING.
 CONTACT - BRASS, GOLD PLATING.
 INSULATOR, GASKET - PTFE
2. ELECTRICAL:
 A. IMPEDANCE: 50 OHM
 B. DIELECTRIC WITHSTANDING VOLTAGE: 2,500 VRMS, MIN.
3. MECHANICAL:
 A. DURABILITY: 500 CYCLES MIN.
 B. TEMPERATURE RANGE: -65°C TO +165°C.
4. PACKAGING:
 A. QUANTITY: SINGLE PACK
 B. MARKING: BAG TO BE MARKED
 "AMPHENOL RF, 82-5370, AND DATE CODE"
5. SHOWS CABLE ENTRY DIMENSIONS.
6. CUSTOMER NOTE: SOLDER CONTACT TO CABLE, WHEN CRIMPING CONTACT TO CABLE:
 CRIMP WITH AMPHENOL TOOL 227-944 & DIE SET 227-1221-57, CAVITY 'B' (.100 HEX).
 WHEN CRIMPING FERRULE: CRIMP WITH AMPHENOL TOOL 227-944 & DIE SET 227-1221-57, CAVITY 'A' (.213 HEX).
7. HEAT SHRINK TUBING SUPPLIED ON REQUEST ONLY.

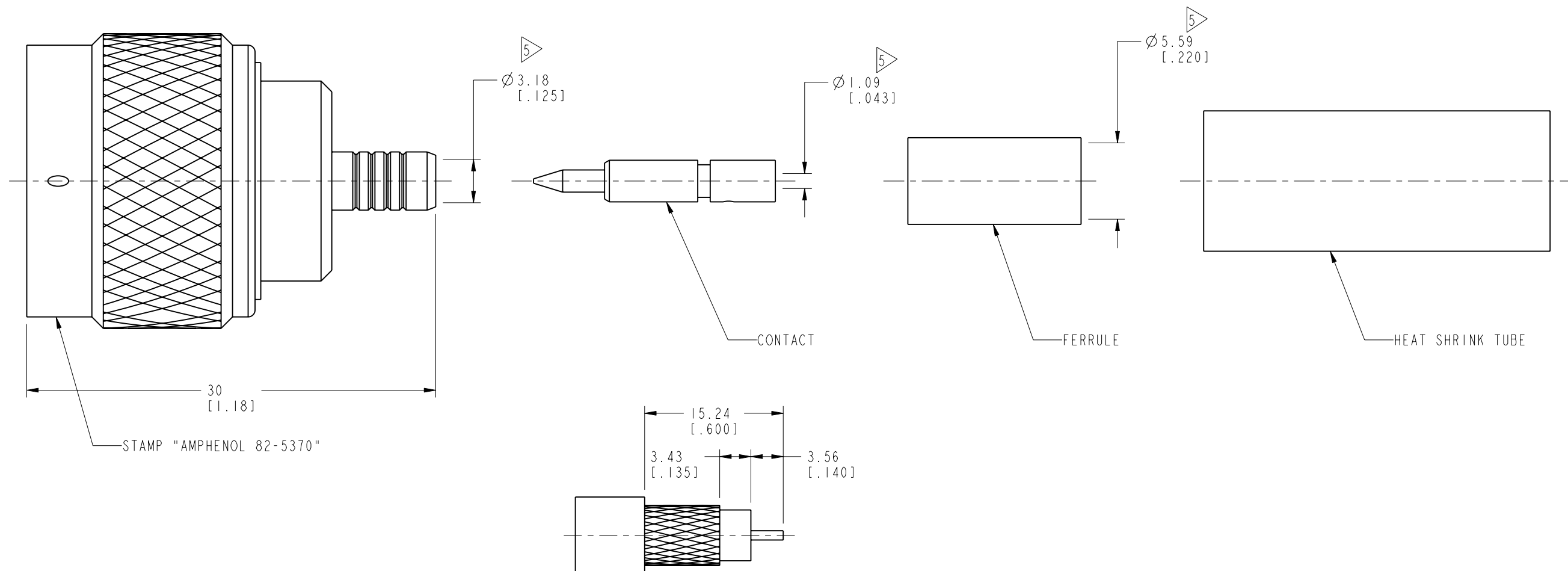
THIRD ANGLE PROJ.

REVISIONS

REV	DESCRIPTION	DATE	ECO	APPR
--	RELEASE TO MFG.	--	--	
N	RE-DRAWN IN PRO-E, ADD COD	7/14/11	48601	CL
P	ADD STAMPING TO COD	11/15/11	48803	CPM
R	SHOW METRIC DIMENSIONS, UPDATE DRAWING	09-Dec-13	49795	SH
T	ADDED NOTE 7	05-Jun-14	50048	SH



SCALE 1.500



RECOMMENDED CABLE STRIPPING DIMENSIONS

CUSTOMER OUTLINE DRAWING

ALL OTHER SHEETS ARE FOR INTERNAL USE ONLY

UNLESS OTHERWISE SPECIFIED, DIMENSIONS ARE IN METRIC AND TOLERANCES ARE: <0.5mm ±0.05mm 0.5 - 6mm ±0.1mm 6 - 30mm ±0.2mm 30 - 120mm ±0.3mm ANGLES ±1°	MATERIAL	DRAWN S. DUAN	DATE 29-Nov-13	TITLE TYPE 'N' PLUG QUICK CRIMP FOR RG55/U, RG55A/U RG55B/U, RG142/U, RG142B/U, RG223/U CABLES.	Amphenol RF www.amphenolrf.com
	REFERENCE -- AND	ENGINEER D. ROYCE	DATE 05-May-88		
NOTICE - These drawings, specifications, or other data (1) are, and remain the property of Amphenol corp. (2) must be returned upon request; and (3) are confidential and not to be disclosed to any person other than those to whom they are given by Amphenol Corp. the furnishing of these drawings, specifications, or other data by Amphenol Corp., or to any other person to anyone for any purpose is not to be regarded by implication or otherwise in any manner licensing, granting rights to permitting such holder or any other person to manufacture, use or sell any product, process or design, patented or otherwise, that may in any way be related to or disclosed by said drawings, specifications, or other data.	CONFIGURATION LEVEL: <input type="checkbox"/> <input type="checkbox"/> <input type="checkbox"/> <input type="checkbox"/>	APPROVED S. HSIEH	DATE 29-Nov-13	SCALE: 3.0:1.0 SHEET 2 OF 2	ITEM NO. 82-5370
	FINISH	CAD FILE	DWG SIZE B	REV T	PART NO. 82-5370

Mouser Electronics

Authorized Distributor

Click to View Pricing, Inventory, Delivery & Lifecycle Information:

[Amphenol:](#)

[082-5370-1005](#) [082-5370](#)