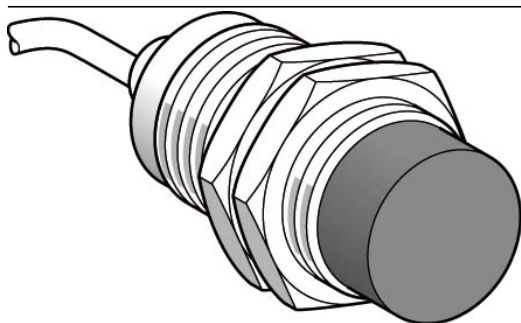


XS230BLPAL2

inductive sensor XS2 M30 - L50.6mm - brass - Sn15mm - 12..24VDC - cable 2m



Main

| | |
|-------------------------------|---|
| Range of product | OsiSense XS |
| Series name | General purpose |
| Sensor type | Inductive proximity sensor |
| Product specific application | - |
| Sensor name | XS2 |
| Sensor design | Cylindrical M30 |
| Size | 50.6 mm |
| Body type | Fixed |
| Enclosure material | Nickel plated brass |
| Type of output signal | Discrete |
| Wiring technique | 3-wire |
| [Sn] nominal sensing distance | 15 mm |
| Discrete output function | 1 NO |
| Discrete output type | PNP |
| Electrical connection | Cable |
| Cable length | 2 m |
| [Us] rated supply voltage | 12...24 V DC with reverse polarity protection |
| Switching capacity in mA | ≤ 100 mA with overload and short-circuit protection |
| IP degree of protection | IP67 conforming to IEC 60529 |

Complementary

| | |
|------------------------------------|-------------------------------|
| ISO thread | M30 x 1.5 |
| Detection face | Frontal |
| Detector flush mounting acceptance | Non flush mountable |
| Material | Metal |
| [Sd] sensing range | > 8...15 mm |
| Differential travel | 1...15% of Sr |
| Output circuit type | DC |
| Cable composition | 3 x 0.34 mm ² |
| Wire insulation material | PVC |
| Status LED | 1 LED yellow for output state |
| Supply voltage limits | 10...36 V DC |
| Switching frequency | ≤ 60 Hz |
| Voltage drop | ≤ 2 V at closed state |
| Current consumption | ≤ 10 mA at no-load |
| Delay first up | ≤ 10 ms |
| Delay response | ≤ 2 ms |
| Delay recovery | ≤ 6 ms |
| Marking | CE |
| Threaded length | 35.4 mm |
| Length | 50.6 mm |
| Product weight | 0.155 kg |

The information provided in this documentation contains general descriptions and/or technical characteristics of the performance of the products contained herein. This documentation is not intended as a substitute for and is not to be used for determining suitability or reliability of these products for specific user applications. It is the duty of any such user or integrator to perform the appropriate and complete risk analysis, evaluation and testing of the products with respect to the relevant specific application or use thereof. Neither Schneider Electric Industries SAS nor any of its affiliates or subsidiaries shall be responsible or liable for misuse of the information contained herein.

Environment

| | |
|---------------------------------------|---|
| Product certifications | CSA UL |
| Ambient air temperature for operation | -25...70 °C |
| Ambient air temperature for storage | -40...85 °C |
| Vibration resistance | 25 gn amplitude = +/- 2 mm (f = 10...55 Hz) conforming to IEC 60068-2-6 |
| Shock resistance | 50 gn for 11 ms conforming to IEC 60068-2-27 |
| RoHS EUR conformity date | 4Q2008 |
| RoHS EUR status | Will be compliant |

Mouser Electronics

Authorized Distributor

Click to View Pricing, Inventory, Delivery & Lifecycle Information:

[Schneider Electric:](#)

[XS230BLPAL2](#)