



**Mallory Sonalert Products, Inc.**

Part #:

**ZA028MDMT4**

**Sales Outline Drawing**

Revision:

**D**

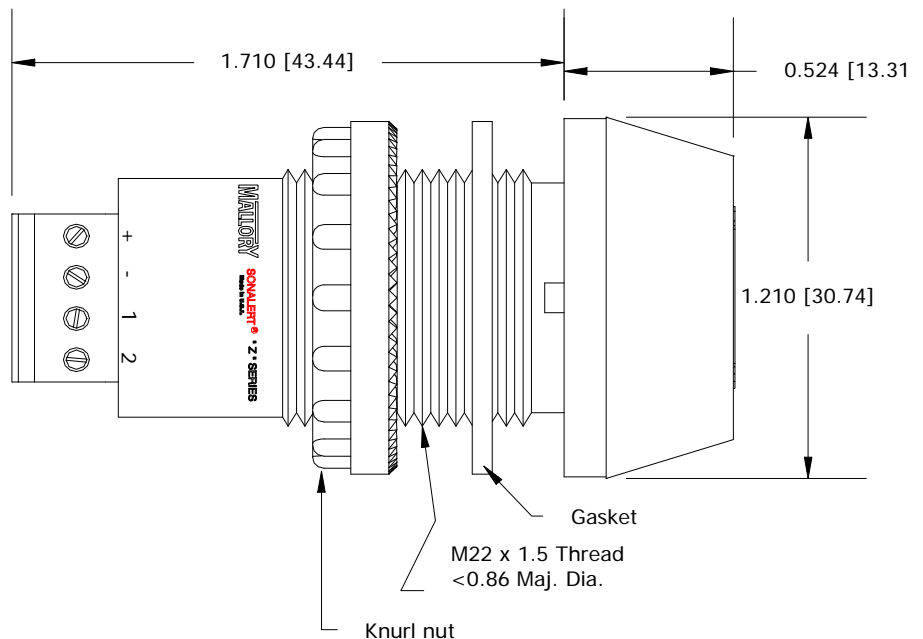
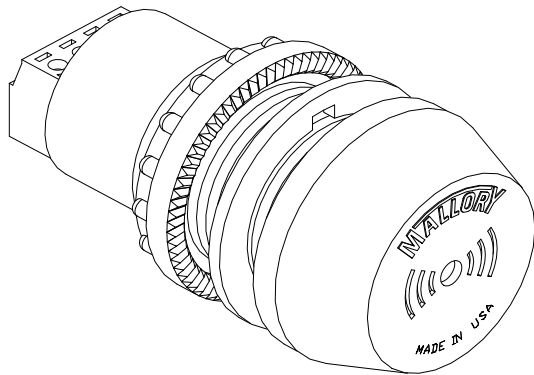
**Specifications:**

Sound Level Category:	Medium	Medium	Medium	Medium
Mode of Operation:	Continuous	Slow Pulse @ 1 PPS	Fast Pulse @ 10 PPS	Dual Tone 4.0 - 3.9 kHz @ 1.5 WPS
Loudness @ 2 FT:	75 to 85 dB(A) Typ.	75 to 85 dB(A) Typ.	75 to 85 dB(A) Typ.	75 to 85 dB(A) Typ.
Pulse Rate (PPS):		1	10	1.5
Frequency:	3900 ± 500 Hz	3900 ± 500 Hz	3900 ± 500 Hz	3700 ± 500 Hz
Connection:	"+" to Positive, "-" to Ground	"+" to Positive, "-" and "1" to Ground	"+" to Positive, "-" and "2" to Ground	"+" to Positive, "-", "1" and "2" to Ground
Voltage Rating:	16 to 28 VDC			
Current Draw:	40mA MAX			
Housing Material:	6/6 Nylon, Color: Black			
Storage Temperature:	-40° to +80° C			
Operating Temperature:	-30° to +65° C			
Panel Mounting:	Recommended hole size is 22.5 mm. Thread front will fit standard 22.5mm hole.			
Knurled Nut:	Used to attach part to panel. The max recommended torque is 10 in-lbs.			
Weight (Typical):	28 g			
NEMA 3R,4X, & 12:	Approved with use of ACC03.			
Options:	Please contact factory.			

**Dimensions:** Inches (mm)

**cUL Recognized**

**ROHS Compliant**



# Mouser Electronics

Authorized Distributor

Click to View Pricing, Inventory, Delivery & Lifecycle Information:

[Mallory Sonalert:](#)

[ZA028MDMT4](#)