

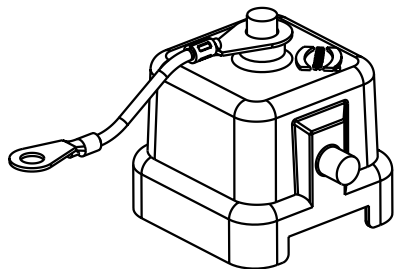
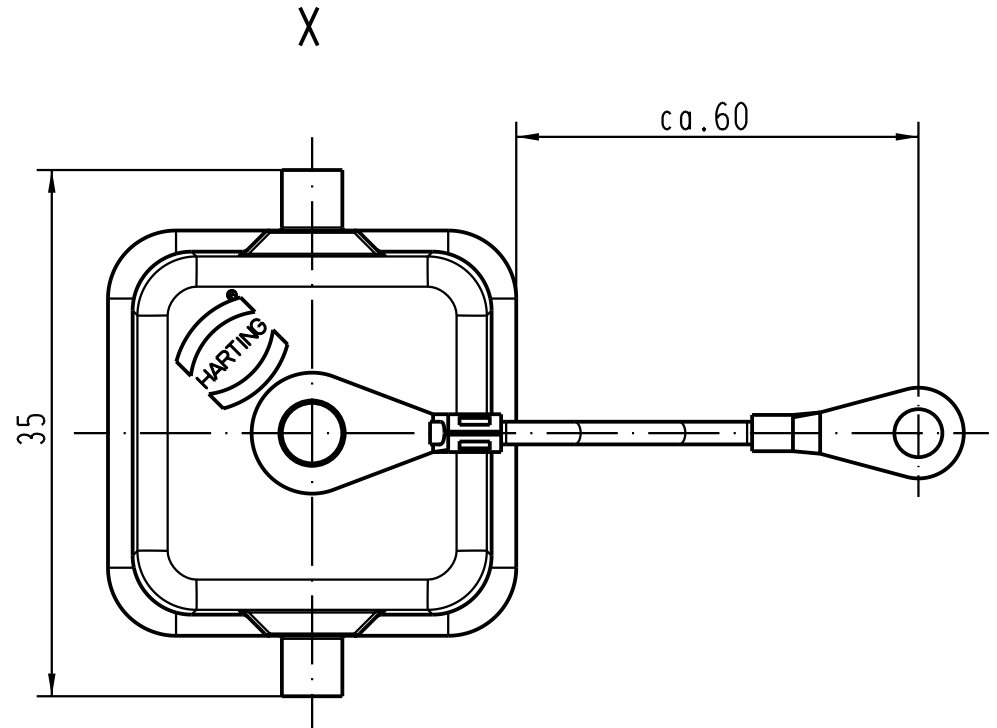
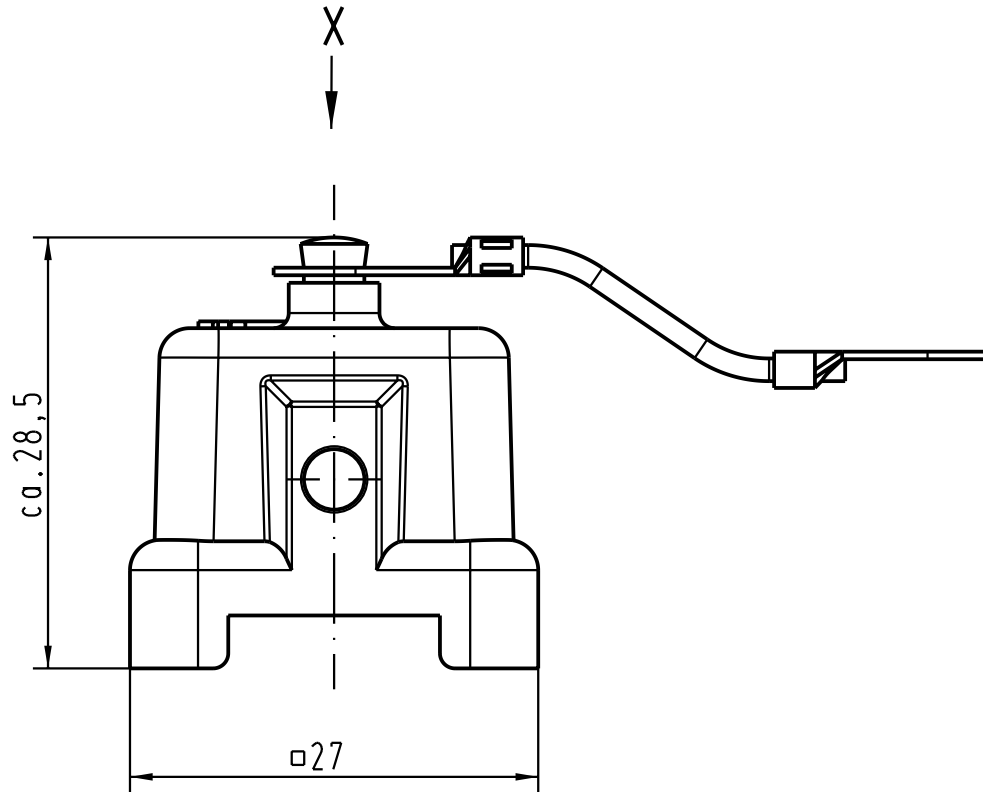
5

4

3

2

1



All Dimensions in mm  
Original Size DIN A 4

Techn. Character.

Nicht tolerierte Masse/ Free size tolerances

	Dat.	Name	Masstab/Scale
Detail.	06.11.03	ML	2:1
Insp.		KR	
Stand.			

Han 3A-AK  
Kunststoffabdeckkappe/  
thermoplastic cover

410753

HARTING Electric GmbH & Co. KG  
D-32339 Espelkamp



TB 09 20 003 5446

Blatt/ page

Mod. Dat. Name

Sub.

D

C

B

A

# Mouser Electronics

Authorized Distributor

Click to View Pricing, Inventory, Delivery & Lifecycle Information:

[HARTING:](#)

[09200035446](#)