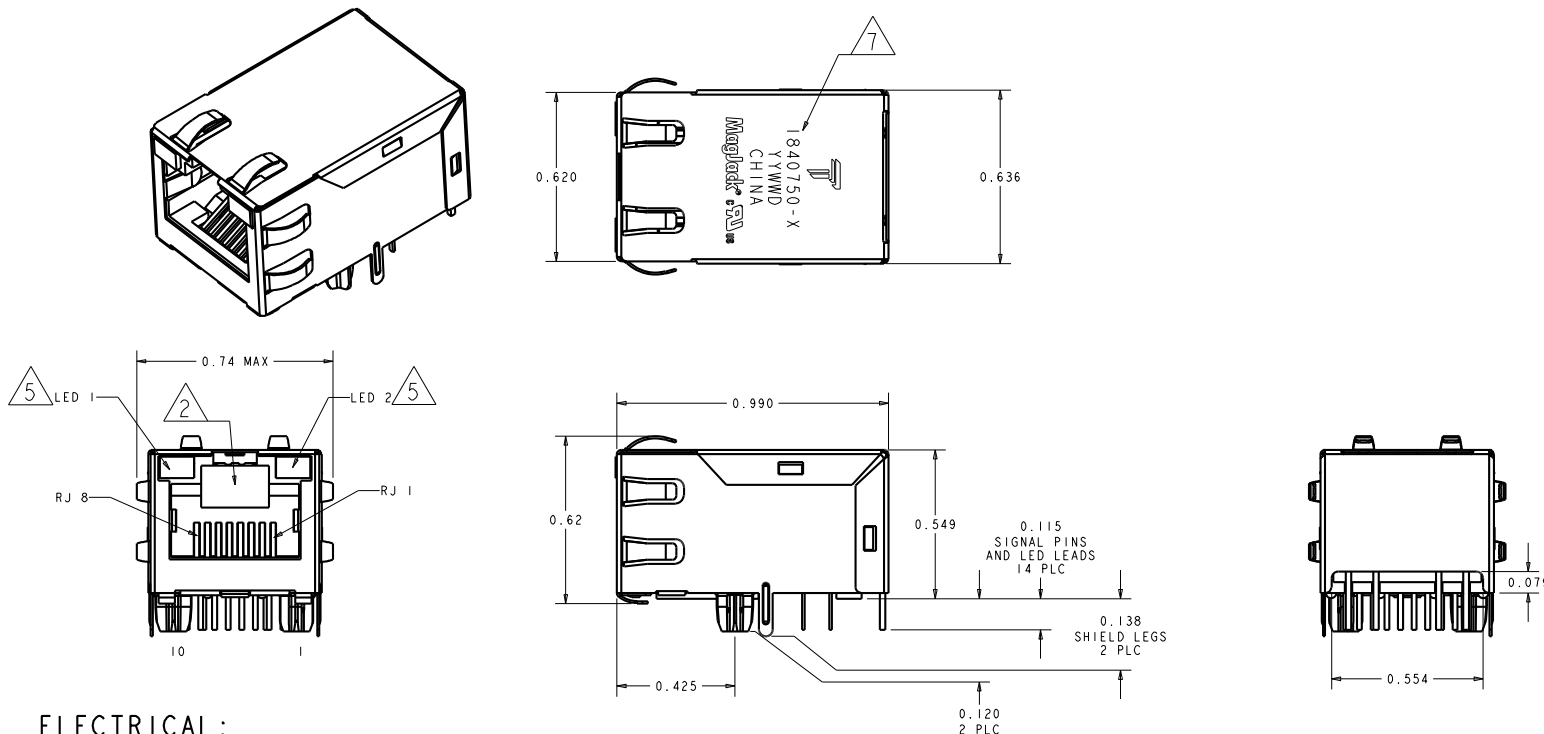


THIS DRAWING AND THE SUBJECT MATTER SHOWN THEREON ARE CONFIDENTIAL AND THE PROPERTY OF BEL/STEWART/TRP CONNECTOR AND SHALL NOT BE REPRODUCED, COPIED, OR USED IN ANY MANNER WITHOUT THE WRITTEN CONSENT OF TRP CONNECTOR.

PRODUCT MAY BE PROTECTED BY ONE OR MORE OF THE FOLLOWING US PATENTS:  
 5736910 5939955 6425781 6428361 6554638 6840817 7123117  
 7429195 7717749 7808751 6217391 6149050 7924130

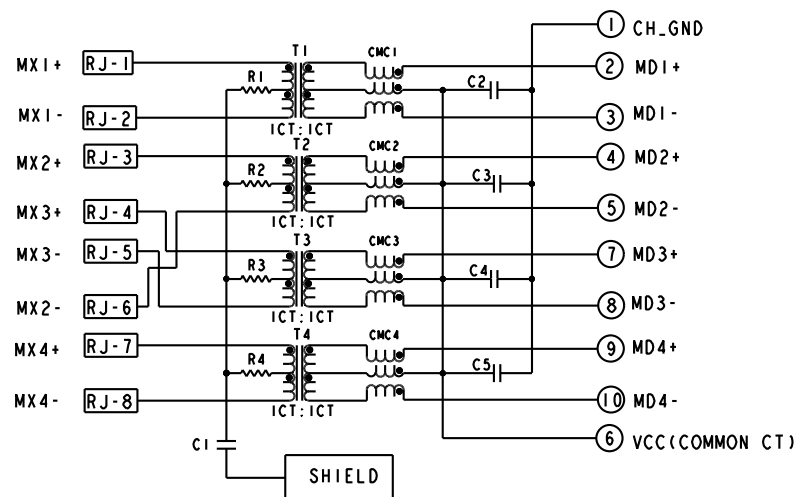
REVISONS				
REV	DATE	DESCRIPTION	BY	APPV
N	07JAN2015	EC-1411035, LOGO CHANGE	JC	TY

MECHANICAL:



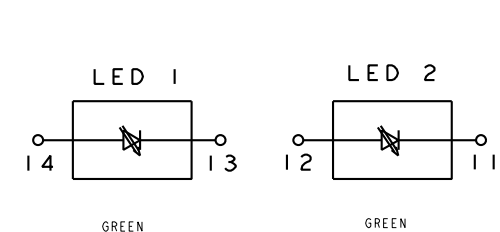
ELECTRICAL:

7G61P9 GIGABIT CIRCUIT

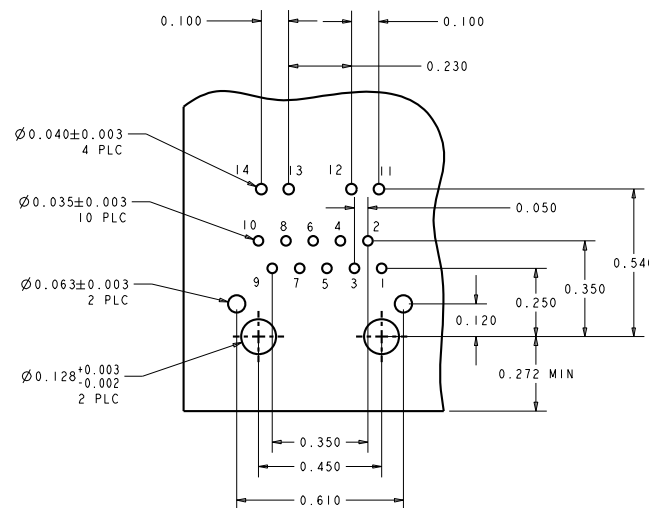
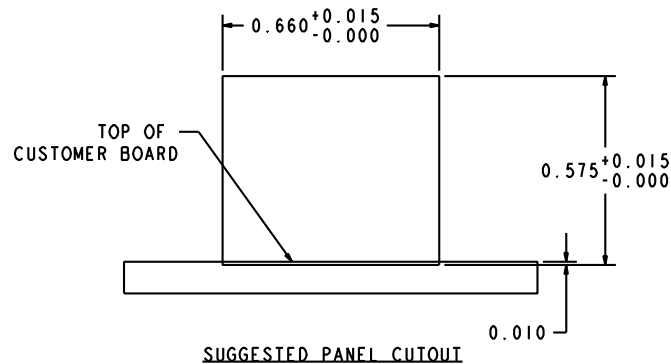
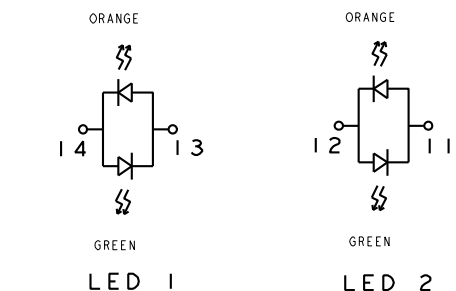


C1 = 1000pF, 2kV, X7R CAPACITOR  
 C2-C5 = 0.01uF, 50V CAPACITORS  
 R1-R4 = 75 OHMS, 1/16W RESISTORS

SINGLE COLOR LED



BI-COLOR LED



1. MATERIALS:

- HOUSING- THERMOPLASTIC PET POLYESTER FLAMMABILITY RATING UL 94V-0
- SHIELD- 0.008 INCH THICK, C26800 BRASS PREPLATED WITH 30u INCH MIN SEMI-BRIGHT NICKEL; SOLDER TABS POST-DIPPED WITH 100 u INCH MIN SAC SOLDER.
- CONTACTS- PHOSPHOR BRONZE, PLATED WITH 1.27um MIN OVERALL NICKEL UNDERPLATE, SELECTIVE 1.27um MIN GOLD AT MATING INTERFACE AND 2.54um MIN MATTE TIN ON SOLDER TAILS. OR 1.27um MIN NICKEL UNDERPLATE, WITH 0.05um GOLD PLATING OVER 0.76um MIN PALLADIUM NICKEL PLATING AT MATING INTERFACE AND 2.54um MIN MATTE TIN ON SOLDER TAILS.
- SOLDERTAILS- PLATED WITH 100 u INCH MIN MATTE TIN AND/OR SAC SOLDER DIP.
- LIGHT EMITTING DIODE(LED)- DIFFUSED EPOXY LENS, .020" x .020" CARBON STEEL WIREFRAME LEADS PREPLATED WITH 80 u INCH SILVER OVER 40 u INCH NICKEL UNDERPLATE 40u INCH COPPER UNDERPLATE; POST-PLATED WITH 100 u INCH MIN MATTE TIN AND/OR SAC SOLDER DIP OR PURE TIN SOLDER DIP.

2

RJ45 JACK CAVITY CONFORMS TO FCC RULES AND REGULATIONS PART 68, SUBPART F.

3

MAGNETICS

- APPLICATION: 10/100/1000 BASE-T
- IMPEDANCE: 100 OHMS
- TURNS RATIO (CHIP:CABLE): 1:1 ALL FOUR PAIRS
- OPEN CIRCUIT INDUCTANCE (OCL): 350uH MIN @100kHz, 0.1VRMS, 8mADC BIAS FROM 0°C TO 70°C, ALL FOUR PAIRS
- ALL FOUR PAIRS BI-DIRECTIONAL
- PERFORMANCE @ 25°C:
  - INSERTION LOSS (IL): 1.1dB MAX FROM 0.5MHz TO 100MHz
  - RETURN LOSS (RL): 18dB MIN FROM 0.5MHz TO 40MHz
  - 12-20LOG(f/80)dB MIN FROM 40.1MHz TO 100MHz
  - CROSSTALK ATTENUATION: 35dB MIN FROM 0.5MHz TO 40MHz
  - 33-20LOG(f/50)dB MIN FROM 40.1MHz TO 100MHz
  - COMMON MODE REJECTION RATIO (CMRR): 30dB MIN FROM 0.5MHz TO 100MHz
- ISOLATION VOLTAGE: COMPLIES WITH IEEE802.3 2002, PARA 40.6.1.1, ITEM b.

4. OPERATING TEMPERATURE: FROM 0°C TO 70 °C.

5

LED IS DRIVEN WITH CONSTANT CURRENT AT APPROX 20mA.  
 LED COLOR: DOMINANT WAVELENGTH (λD): GREEN 568 nm TYP. @ IF=20mA  
 FORWARD VOLTAGE (VF): GREEN 2.2V TYP. @ IF=20mA  
 DOMINANT WAVELENGTH (λD): ORANGE 605 nm TYP. @ IF=20mA  
 FORWARD VOLTAGE (VF): ORANGE 2.05V TYP. @ IF=20mA

6

INDICATED MAGNETIC CONNECTIONS ARE SYMMETRICAL AND SUPPORT AUTO-MDIX.

7

TRP LOGO, PART NUMBER, DATE CODE, COUNTRY OF ORIGIN AND AGENCY APPROVAL MARKING IN APPROXIMATE LOCATION SHOWN.

8. THESE PARTS ARE RECOMMENDED FOR WAVE SOLDERING PROCESS, PREHEAT TEMPERATURE IS 120°C TO 160°C, 120 SECONDS TO 180 SECONDS, PEAK WAVE SOLDERING TEMPERATURE IS 260°C MAX, 10 SECONDS MAX.

0.154	GREEN	GREEN	1-1840750-7
0.154	GREEN/ORANGE	GREEN/ORANGE	1-1840750-6
0.115	GREEN	GREEN	1840750-7
0.115	GREEN/ORANGE	GREEN/ORANGE	1840750-6
DIM A	LED 1	LED 2	PART NUMBER

DIMENSIONS:		TOLERANCES UNLESS OTHERWISE SPECIFIED:		TRP CONNECTOR	
INCHES		0 PLC	±0.010	DRN	07APR2008
		1 PLC	±0.010	CHK	07APR2008
		2 PLC	±0.010	ILLIUN RAO	07APR2008
		3 PLC	±0.005	APVD	07APR2008
		4 PLC	±0.010	TFDDY XIONG	
PRODUCT SPEC	108-2100	MODEL NAME	MAGJACK	SIZE	A1
APPLICATION SPEC		DESCRIPTION	7G61P9 GIGABIT CIRCUIT, W/ LEDS	SCALE	3:1
		PART NUMBER	1-1840750	SHEET	1 OF 1
		CUSTOMER DRAWING		REV	N

# Mouser Electronics

Authorized Distributor

Click to View Pricing, Inventory, Delivery & Lifecycle Information:

Bel:

[1840750-7](#)