

TABLE OF CONTENTS	
SHEET NO.	SHEET DESCRIPTION
1	NOTES AND BOM
2	CONFIGURATIONS
3-4	KEY CONFIGURATIONS
5	BLADE SEALED ASSEMBLY
6	SYSTEM PACKAGING
7	BACKSHELL NOTES
8	BACKSHELL
9	BACKSHELL CONFIGURATIONS

NOTES: VALID UNLESS OTHERWISE SPECIFIED

1. GENERAL:  
a. APPLICATION SPECIFICATION SEE: AS-33472-100  
-CONTAINS: PRODUCT INTRODUCTION, PRODUCT SUMMARY, CONNECTOR ASSEMBLY, PACKAGING INFORMATION, CONNECTOR MATING, SERVICE INSTRUCTIONS, ELECTRICAL CONTINUITY CHECKING, CRIMPING, AND TROUBLESHOOTING.  
-DESIGNED TO MATE WITH RECEPTACLE SEALED ASSEMBLY AS SPECIFIED IN THE MATING CONNECTOR DRAWINGS CHART.  
\*DENOTES DRAWINGS THAT CAN BE ACCESSED AT <http://ewcap.uscarteams.org/>.  
-ASSEMBLY SHIPPED WITH PLR IN PRE-LOCK POSITION (SEE PLR PRE-LOCK VIEW SHEET 5).

b. PRODUCT SPECIFICATION SEE:  
-STANDARD CONFIGURATION: PS-33472-000  
-UL V0 CONFIGURATION: TBD  
CONTAINS: PRODUCT INTRODUCTION, PRODUCT SUMMARY, RATINGS (CURRENT, TEMPERATURE, SEALING, AND FLAMMABILITY), TERMINALS, WIRE DIAMETER RANGE, PRODUCT VALIDATION, AND PRODUCT DEVIATIONS.

c. PACKAGING SPECIFICATION PER MOLEX DRAWING: PK-31300-635

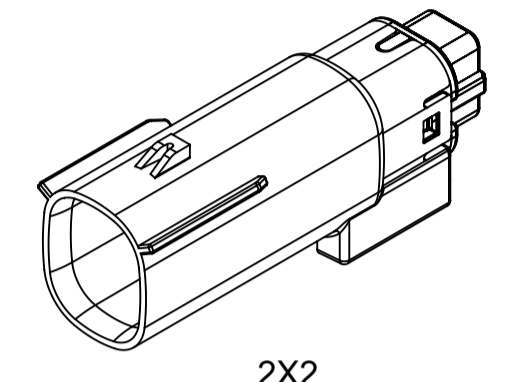
d. PARTS MUST BE IN COMPLIANCE TO MOLEX CHEMICAL SUBSTANCES FOR PRODUCTS AND PACKAGING SPECIFICATION: QEHS-699000-300

e. DATA MUST BE SUBMITTED UNDER THE MOLEX PART NUMBER TO IMDS (COMPANY ID#13255)

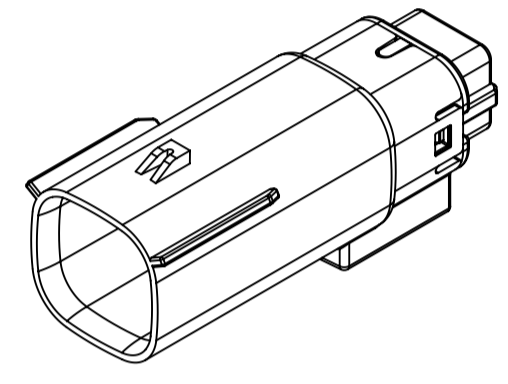
2. DESIGN - MATERIALS:  
a. FOR BILL OF MATERIALS SEE:  
-STANDARD CONFIGURATION: SD-33482-0002  
-UL V0 CONFIGURATION: SD-160084-0002

3. DESIGN - GEOMETRY:  
a. THE 3-D CAD DATA IS BASIC (WITHOUT TOLERANCE) AND MASTER FOR THIS PART WITH THE EXCEPTION OF UNDERLINED DIMENSIONS. DIMENSIONAL INFORMATION NOT SHOWN ON THIS DRAWING IS DEFINED BY THE DATA FILE AT ITS LATEST REVISION.  
b. GEOMETRIC DIMENSIONS AND TOLERANCES PER ASME Y14.5M-2009  
c. EDGES AND UNDIMENSIONED DETAILS PER ISO13715  
d. CORNERS SHOWN AS SHARP TO BE R 0.2 MAX.  
e. LETTERING SHALL BE 0.15 MAX RAISED IN 0.25 MAX RECESS PAD. THIS INCLUDES RECYCLING CODE, CAVITY ID, VENDOR IDENTIFICATION, AND CUSTOMER MATERIAL NUMBER.  
f. VISUAL DEFECTS SHALL MEET COSMETIC STANDARD PS-45499-002 (Class B).  
g. LASER MARKING:  
1. PART NUMBER  
2. DAY OF THE YEAR  
3. SHIFT  
4. YEAR  
FOR ADDITIONAL INFORMATION SEE SECTION 5 UNDER PROCEDURES IN ES-34735-008.

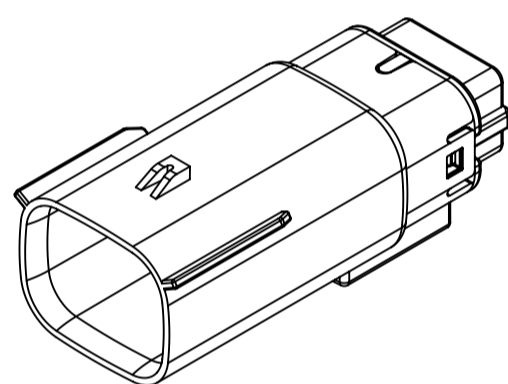
MATING CONNECTOR DRAWINGS	
DESCRIPTION	MOLEX INLINE
2X2	SD-33472-0001
2X3	SD-33472-0001
2X4	SD-33472-0001
2X6	SD-33472-0001
2X8	SD-33472-0001
2X10	SD-33472-0001



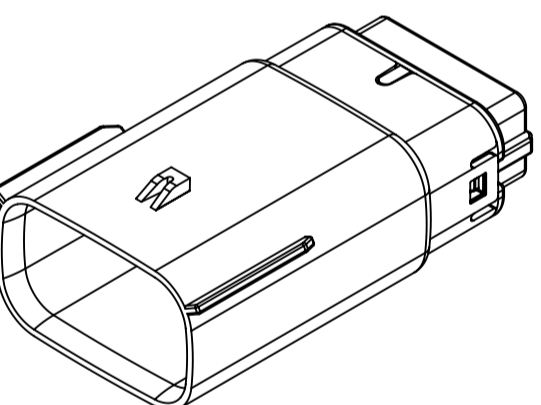
2X2



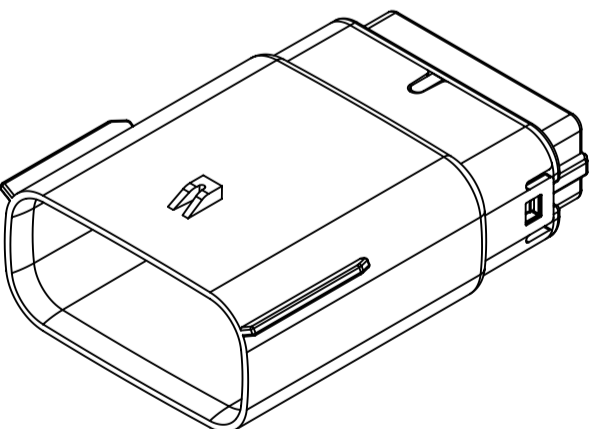
2X3



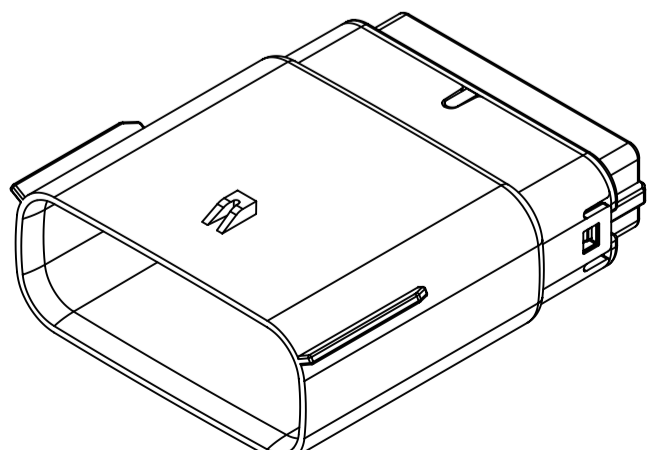
2X4



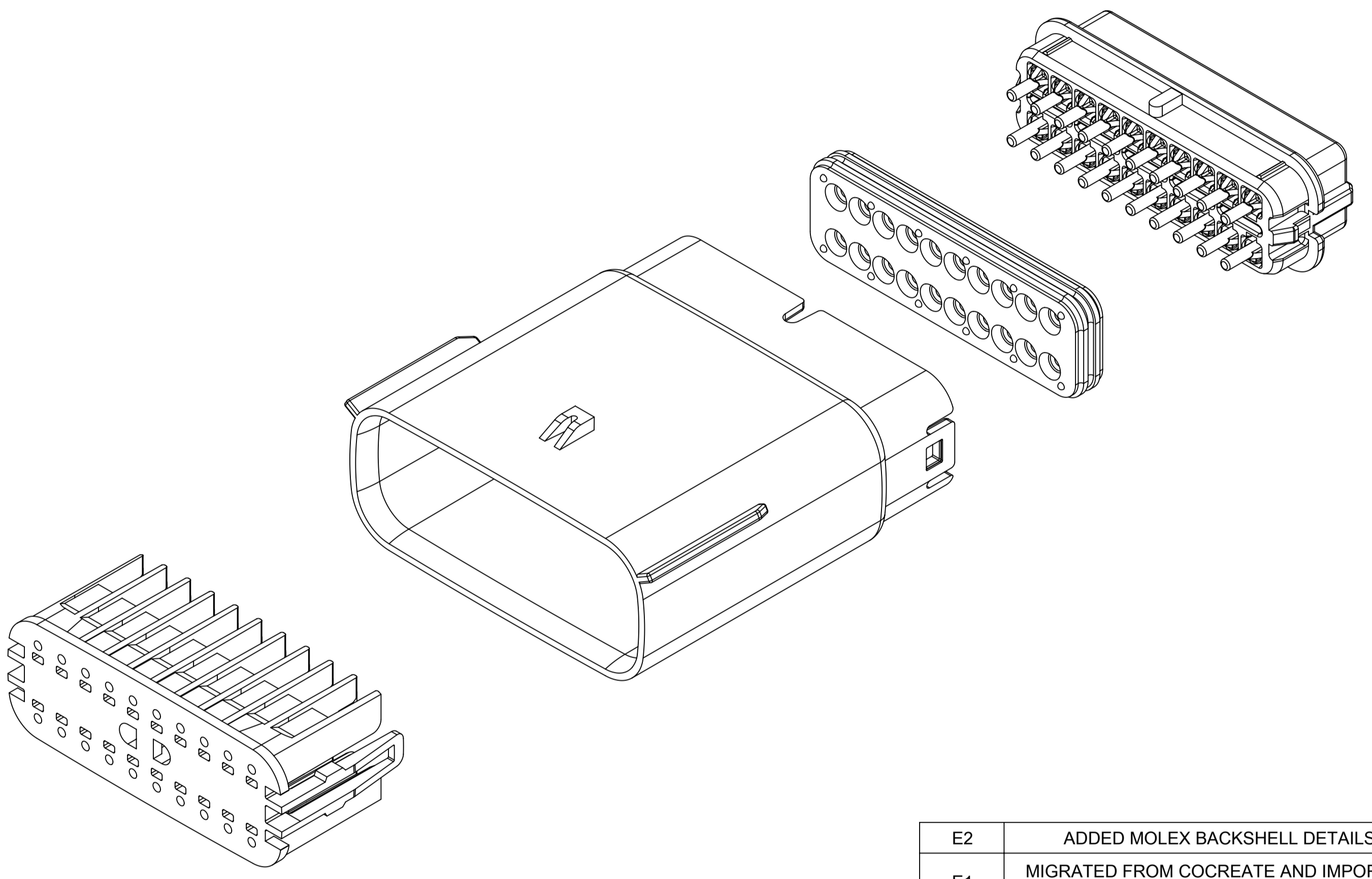
2X6



2X8



2X10

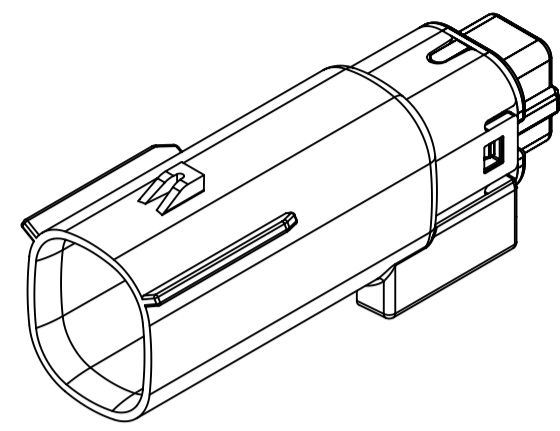


REV	REV DESCRIPTION
E2	ADDED MOLEX BACKSHELL DETAILS
E1	MIGRATED FROM COCREATE AND IMPORTED DXF FILES
E	ADDED CHARTED DIMENSIONS FOR 2X2, 2X4, 2X6 AND 2X8 WITH CLIPSLLOT
D	MINOR GEOMETRY CHANGE FOR UL V0
C3	ADD 2X4
C2	ADD 2X3
C1	ADD UL V0 CONFIGURATIONS
C	ADD 2X8
B1	ADD 2X6 BACKSHELL INFO
B	ADD 2X6
A	INITIAL RELEASE
REV	REV DESCRIPTION

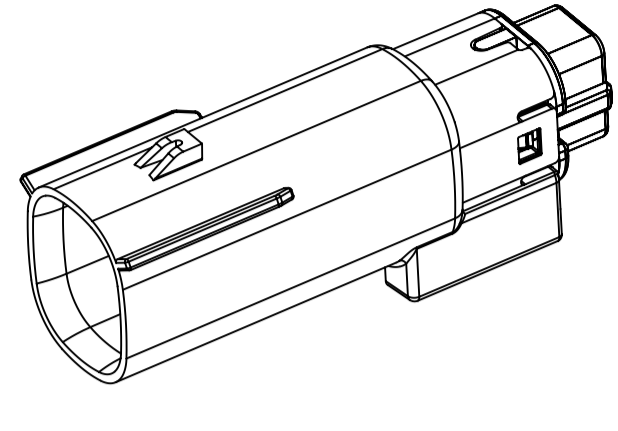
INSPECTION NUMBER LOG	
LAST NUMBER:	9
ADDED:	
REMOVED:	

<b>SYMBOLS</b> = 0 mm = 0 GENERAL TOLERANCES (UNLESS SPECIFIED) = 0 ANGULAR TOL ± 1.0° = 0 4 PLACES ± = 0 3 PLACES ± = 0 2 PLACES ± 0.1 = 0 1 PLACE ± 0.2 = 0 0 PLACES ± = 0 DRAFT WHERE APPLICABLE MUST REMAIN WITHIN DIMENSIONS	THIS DRAWING CONTAINS INFORMATION THAT IS PROPRIETARY TO MOLEX ELECTRONIC TECHNOLOGIES, LLC AND SHOULD NOT BE USED WITHOUT WRITTEN PERMISSION DIMENSION UNITS: mm SCALE: 1.5:1 CURRENT REV DESC: EC NO: 171650 DRWN: PMANJUNATHAC 2018/01/03 CHK'D: MVANSLAMBROU 2018/02/16 APPR: MVANSLAMBROU 2018/02/16 INITIAL REVISION: DRWN: APROFFITT 2014/04/28 APPR: VKOSHY 2014/05/14	 MX150 BLADE DUAL ROW SEALED ASSEMBLY MAT SEAL PRODUCT CUSTOMER DRAWING
	DOCUMENT NUMBER: SD-33482-0001 DOC TYPE: PSD DOC PART: 001 REVISION: E2	
	MATERIAL NUMBER: GENERAL MARKET CUSTOMER:	
	SHEET NUMBER: 1 OF 11	

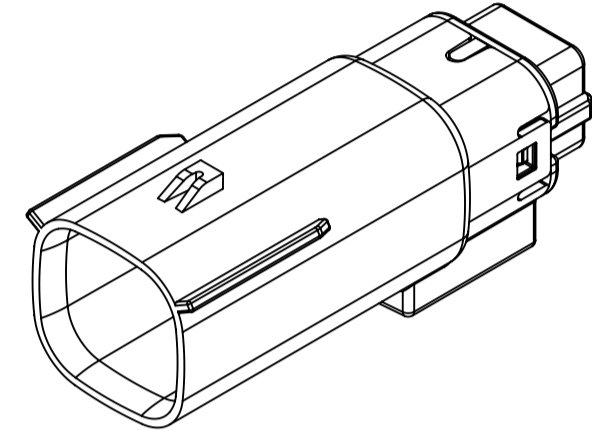
**SHEET DESCRIPTION**  
CONFIGURATIONS



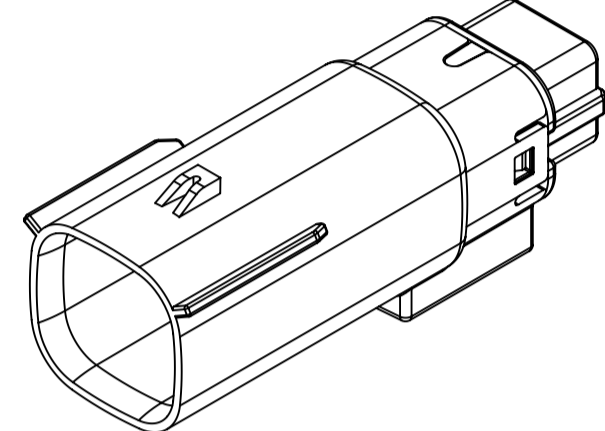
2X2 - STANDARD (STD)



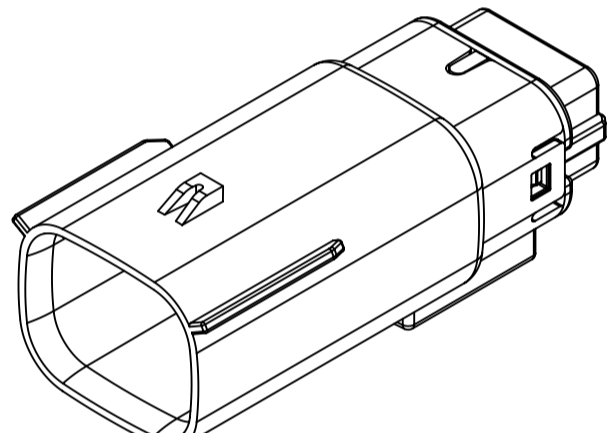
2X2 - UL V0\*



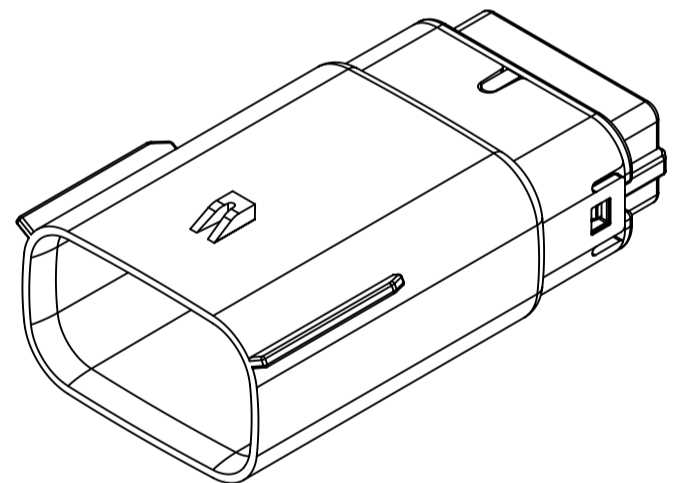
2X3 - STANDARD (STD)



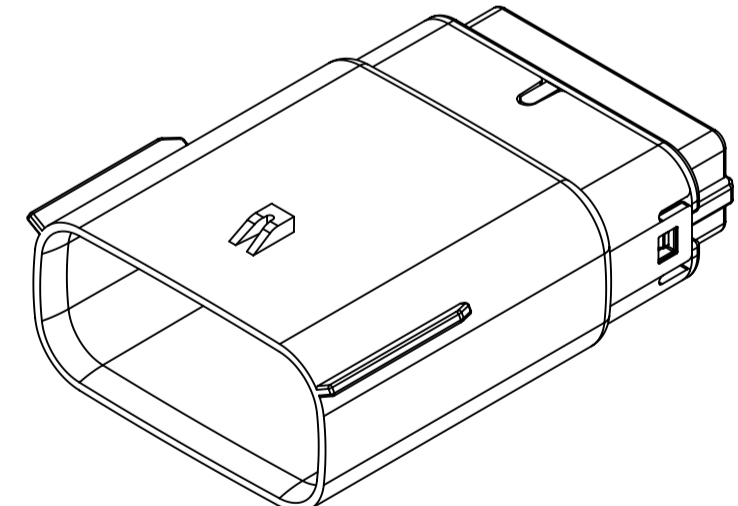
2X3 - LENGTHENED



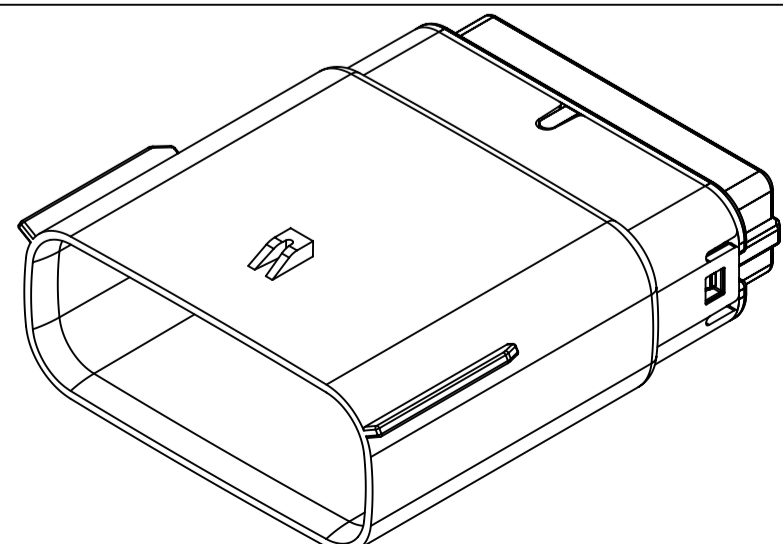
2X4 - STANDARD (STD)



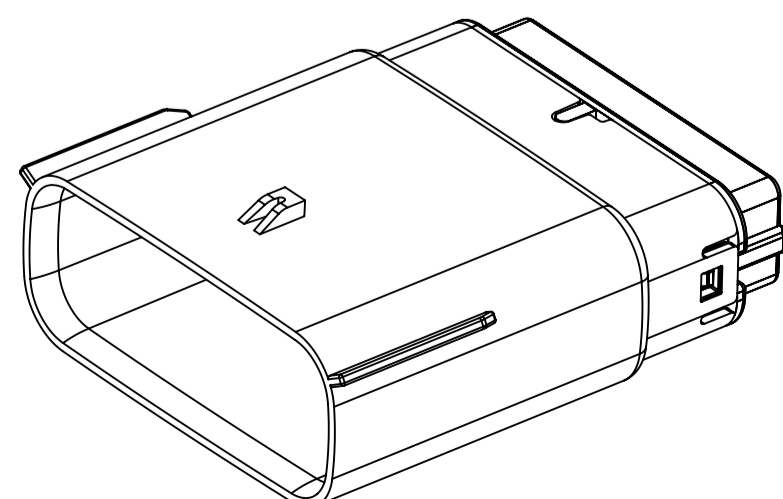
2X6 - STANDARD (STD)



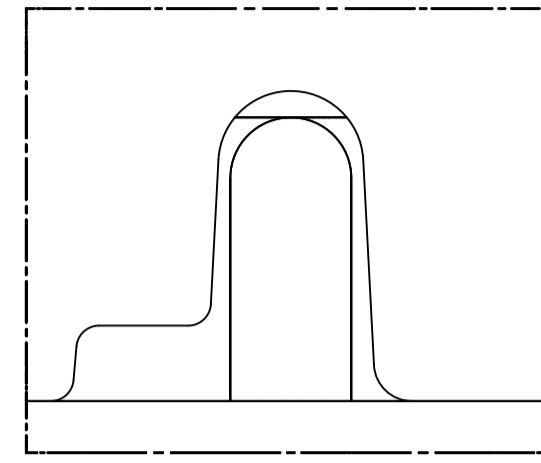
2X8 - STANDARD (STD)



2X10 - STANDARD (STD)



2X10 - UL V0\*



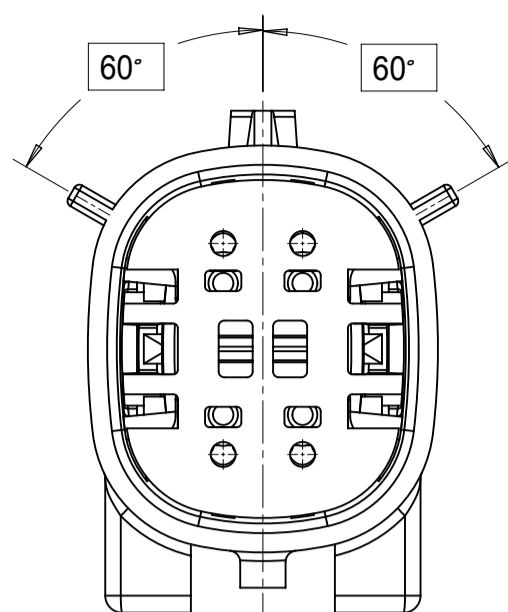
UL V0 UNIQUE FEATURE  
Partial1  
SCALE 10:1

\* MINOR GEOMETRY CHANGE THAN STANDARD CONFIGURATION.  
SEE NOTE 2a FOR MORE INFORMATION

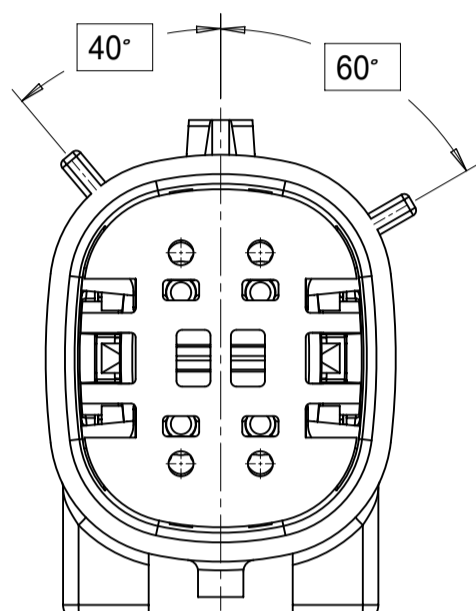
<b>SYMBOLS</b> = 0 = 0 = 0 = 0 = 0 = 0 = 0 = 0 = 0 = 0	THIS DRAWING CONTAINS INFORMATION THAT IS PROPRIETARY TO MOLEX ELECTRONIC TECHNOLOGIES, LLC AND SHOULD NOT BE USED WITHOUT WRITTEN PERMISSION		CURRENT REV DESC:		 MX150 BLADE DUAL ROW SEALED ASSEMBLY MAT SEAL		
	DIMENSION UNITS	SCALE	EC NO: 171650				
	mm	1.5:1	DRWN: PMANJUNATHAC 2018/01/03		SD-33482-0001	PSD	001
	GENERAL TOLERANCES (UNLESS SPECIFIED)		CHK'D: MVANSLAMBROU 2018/02/16		REVISION	E2	
	ANGULAR TOL ± 1.0°		APPR: MVANSLAMBROU 2018/02/16		PRODUCT CUSTOMER DRAWING		
	4 PLACES ±		INITIAL REVISION:		MATERIAL NUMBER		
	3 PLACES ±		DRWN: APROFFITT 2014/04/28		CUSTOMER		
	2 PLACES ± 0.1		APPR: VKOSHY 2014/05/14		GENERAL MARKET		
	1 PLACE ± 0.2		THIRD ANGLE PROJECTION		SHEET NUMBER		
	0 PLACES ±		DRAWING		2 OF 11		
DRAFT WHERE APPLICABLE MUST REMAIN WITHIN DIMENSIONS		SERIES		A1-SIZE 33482			

**SHEET DESCRIPTION**  
KEY CONFIGURATIONS

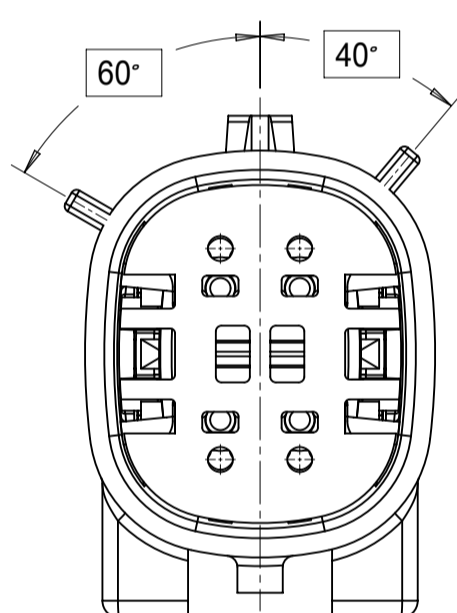
**2X2**



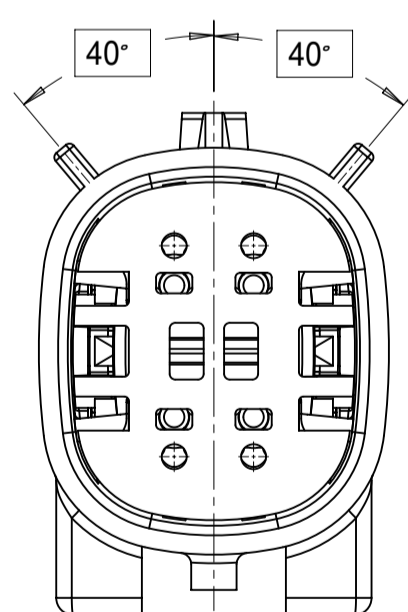
KEY A



KEY B

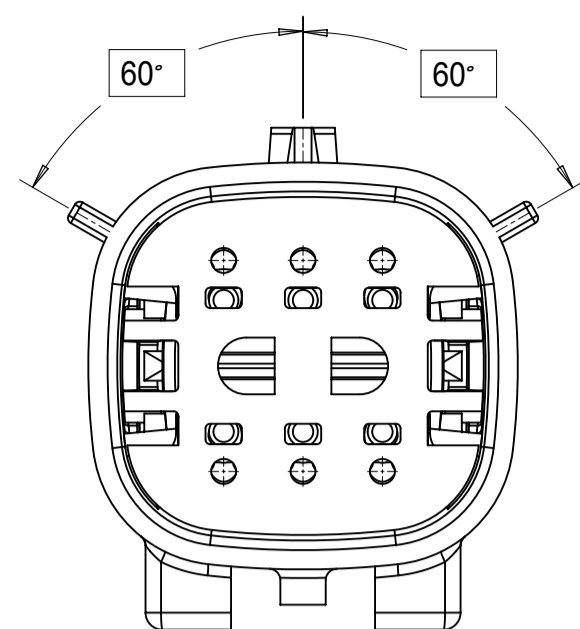


KEY C

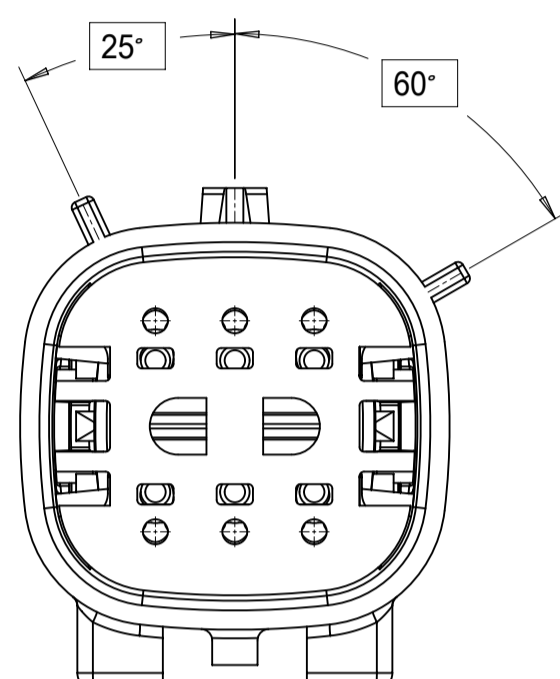


KEY D

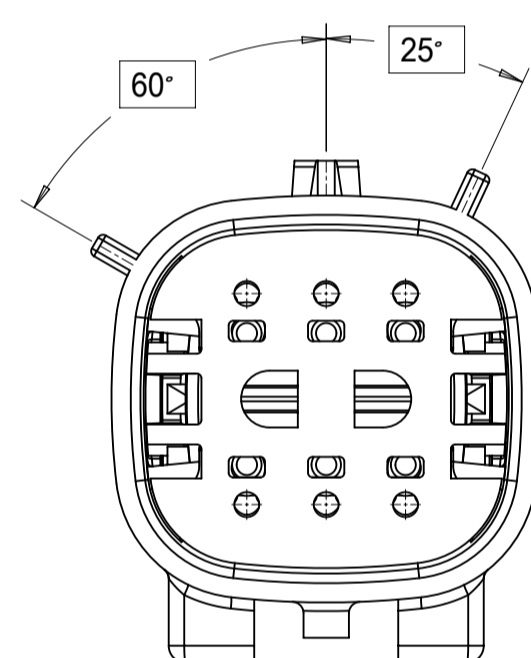
**2X3**



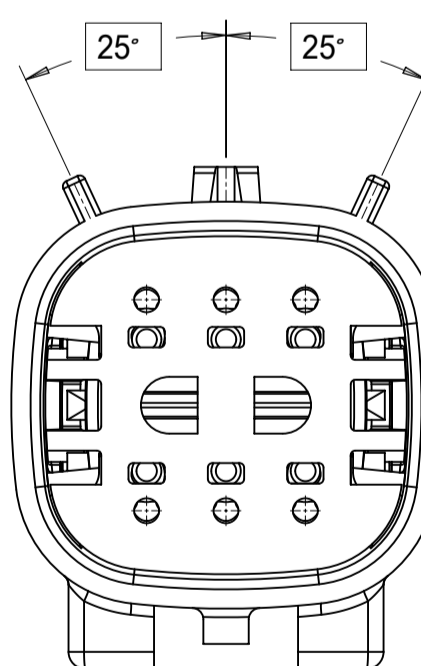
KEY A



KEY B

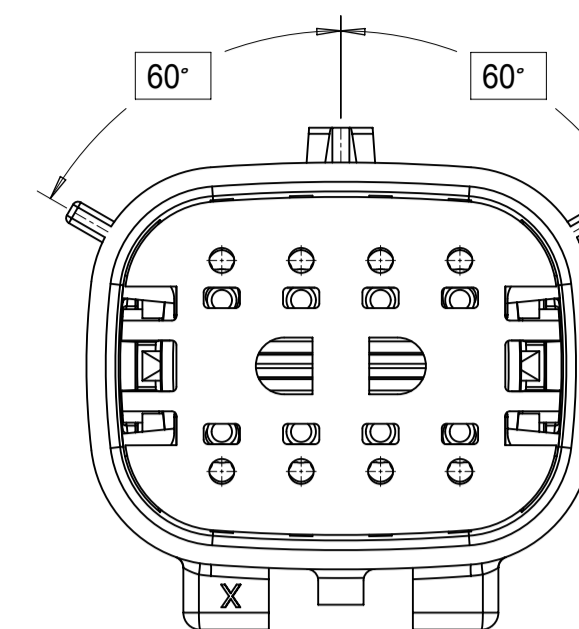


KEY C

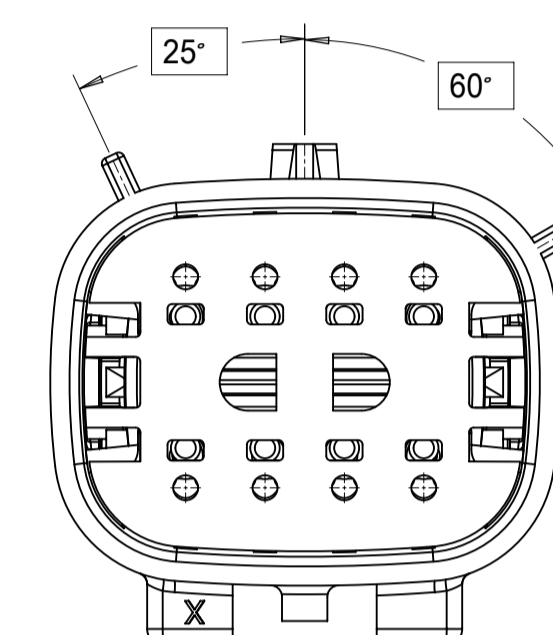


KEY D

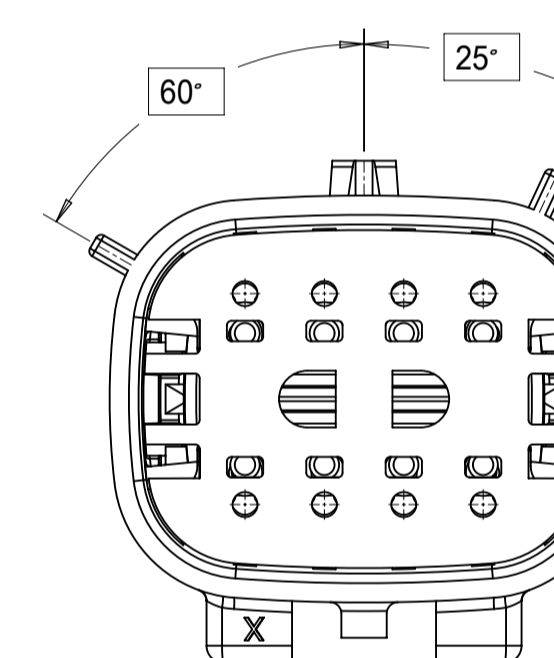
**2X4**



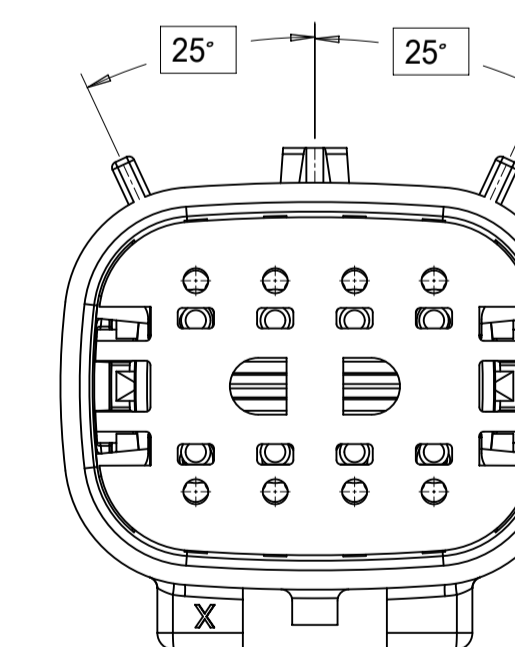
KEY A



KEY B



KEY C

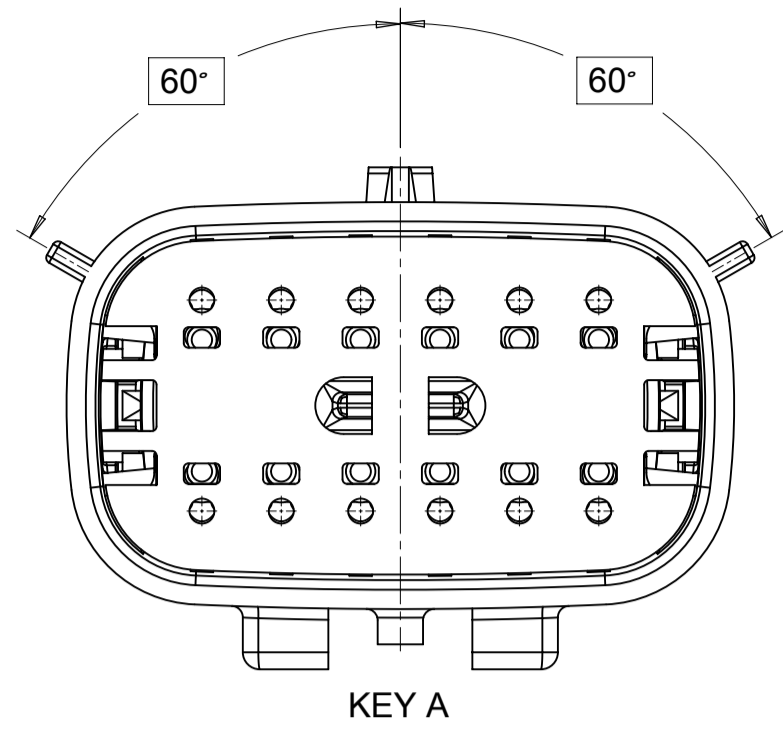


KEY D

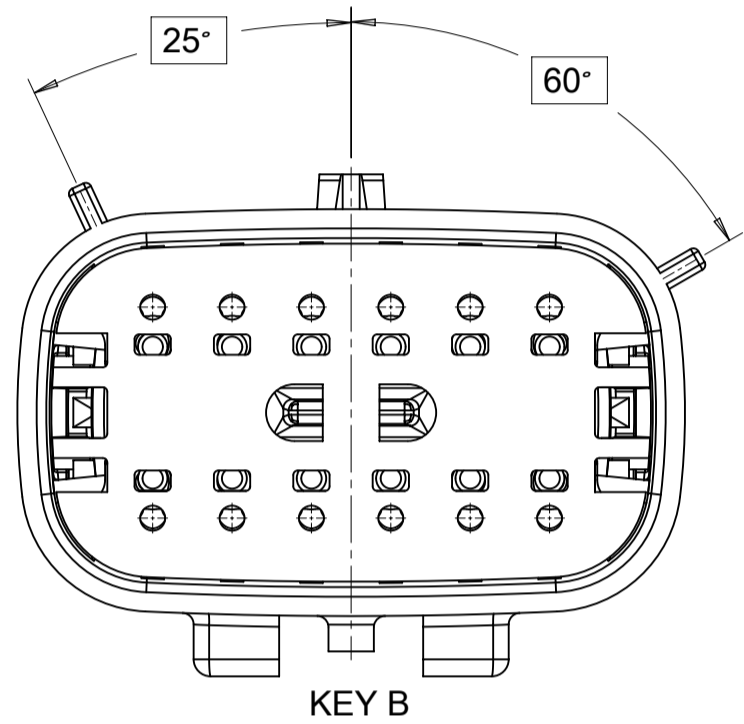
<b>SYMBOLS</b> = 0 = 0 = 0 = 0 = 0 = 0 = 0 = 0 = 0 = 0 = 0 = 0	THIS DRAWING CONTAINS INFORMATION THAT IS PROPRIETARY TO MOLEX ELECTRONIC TECHNOLOGIES, LLC AND SHOULD NOT BE USED WITHOUT WRITTEN PERMISSION DIMENSION UNITS: <b>mm</b> SCALE: <b>3:1</b>	CURRENT REV DESC: EC NO: 171650 DRWN: PMANJUNATHAC 2018/01/03 CHK'D: MVANSLAMBROU 2018/02/16 APPR: MVANSLAMBROU 2018/02/16	 <b>MOLEX</b> MX150 BLADE DUAL ROW SEALED ASSEMBLY MAT SEAL
	GENERAL TOLERANCES (UNLESS SPECIFIED) ANGULAR TOL ± 1.0° 4 PLACES ± 3 PLACES ± 2 PLACES ± 0.1 1 PLACE ± 0.2 0 PLACES ±	INITIAL REVISION: DRWN: APROFFITT 2014/04/28 2014/05/14 APPR: VKOSHY	
DRAFT WHERE APPLICABLE MUST REMAIN WITHIN DIMENSIONS	THIRD ANGLE PROJECTION 	DRAWING: <b>A1-SIZE</b> SERIES: <b>33482</b>	MATERIAL NUMBER: _____ CUSTOMER: <b>GENERAL MARKET</b> SHEET NUMBER: <b>3 OF 11</b>

**SHEET DESCRIPTION**  
KEY CONFIGURATIONS CONT.

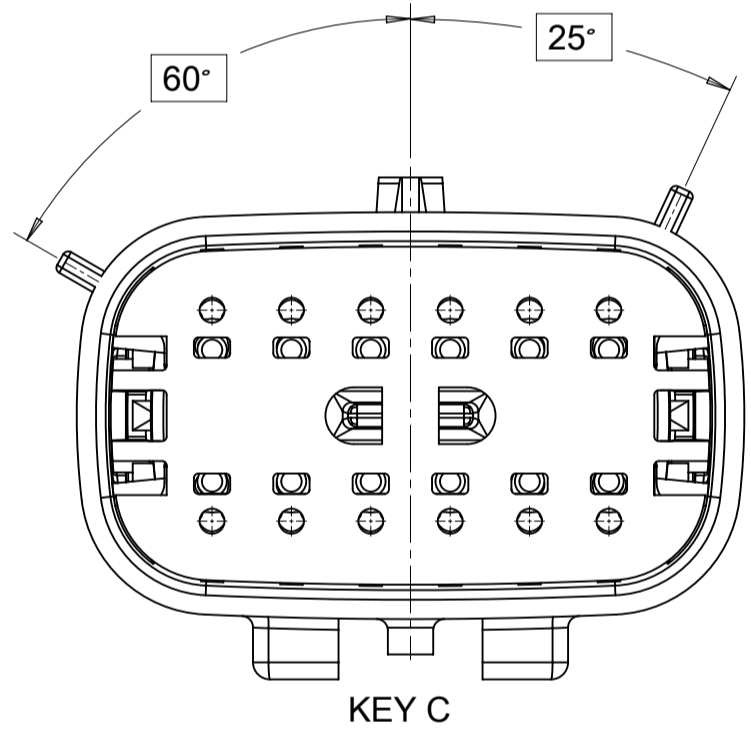
2X6



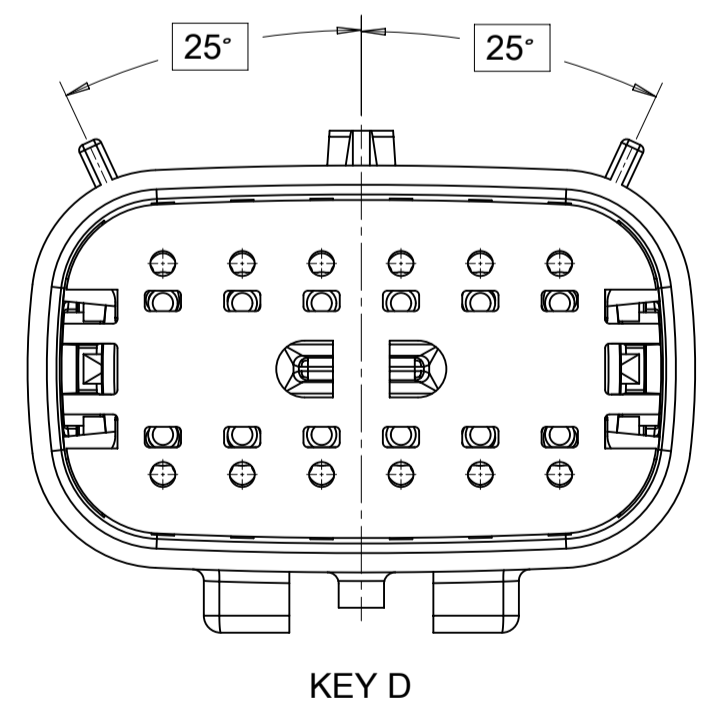
KEY A



KEY B

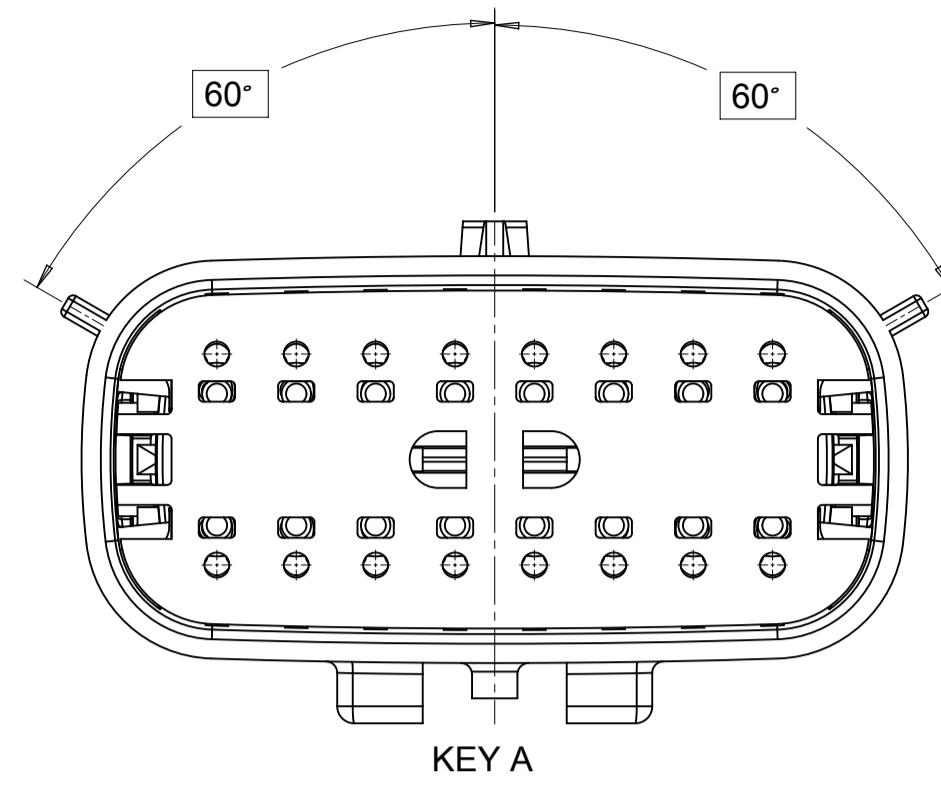


KEY C

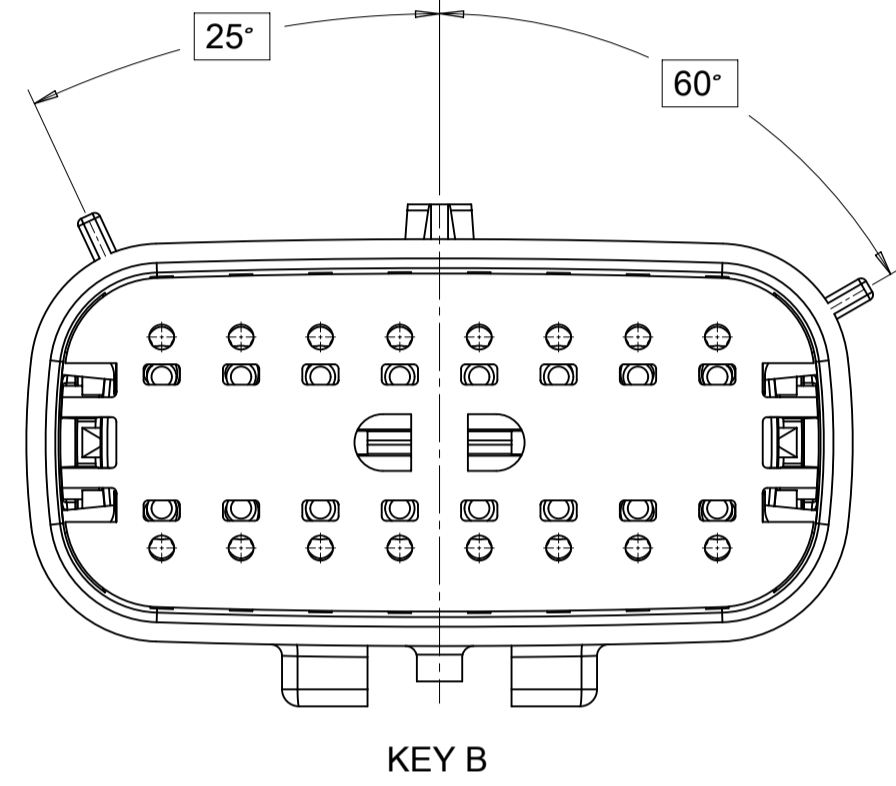


KEY D

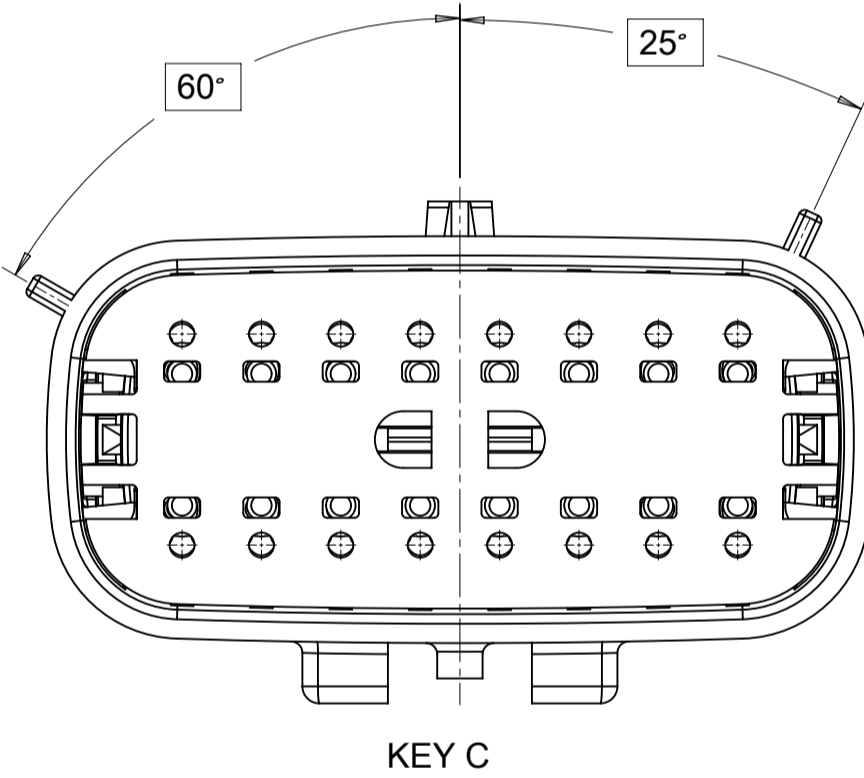
2X8



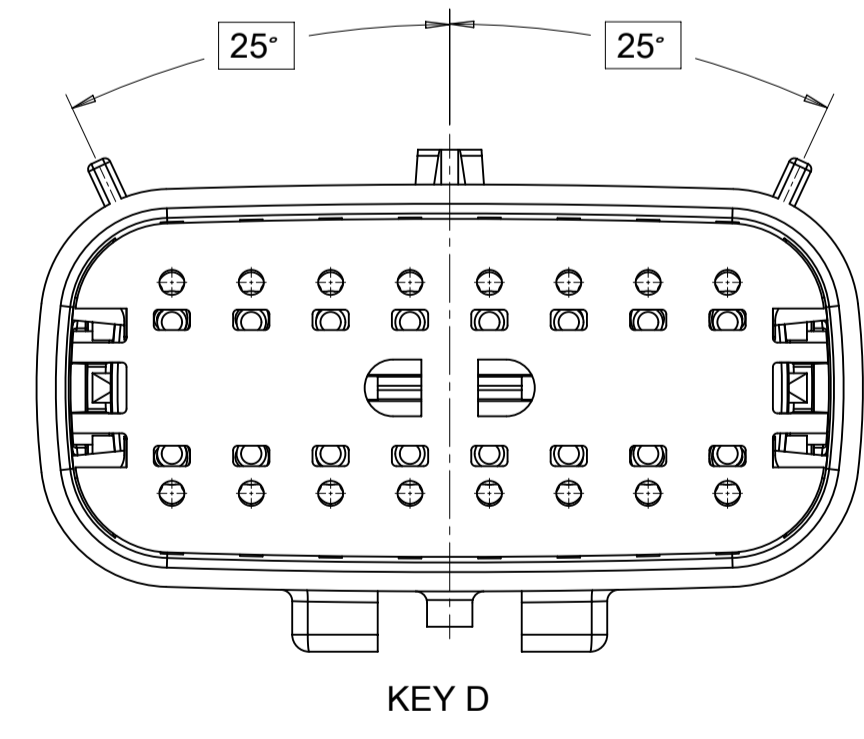
KEY A



KEY B

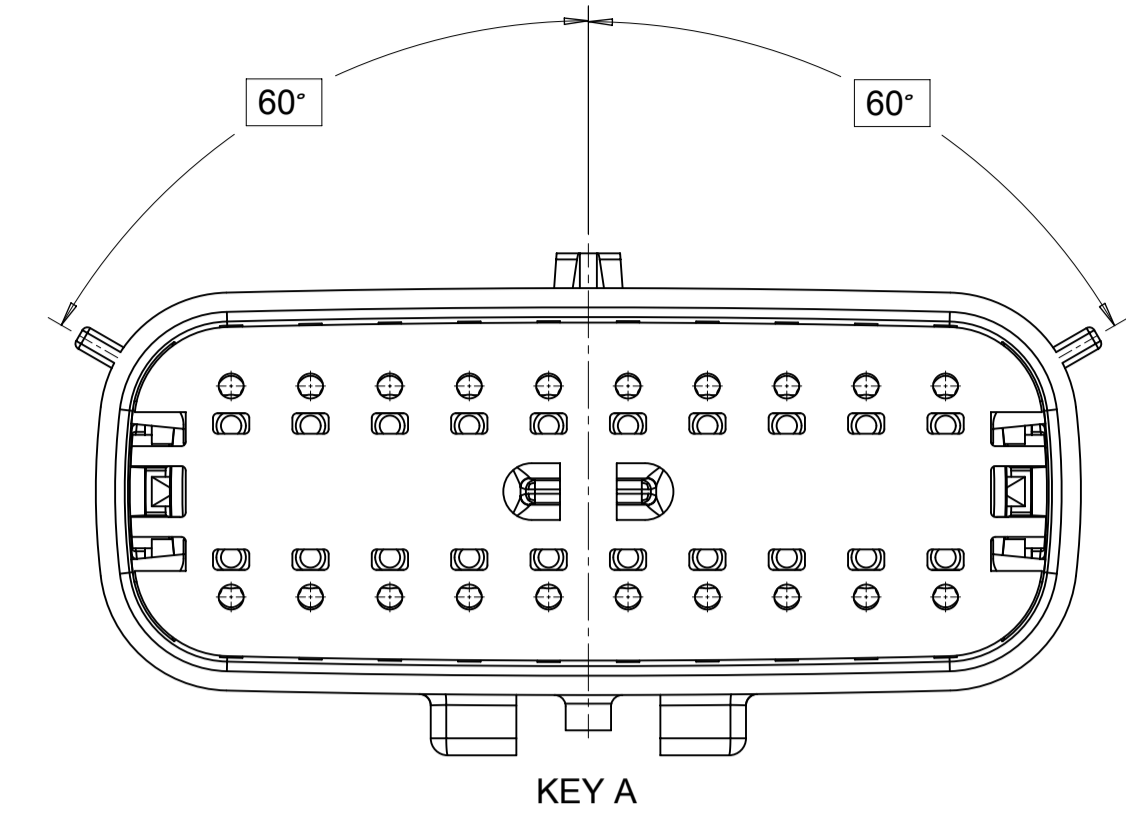


KEY C

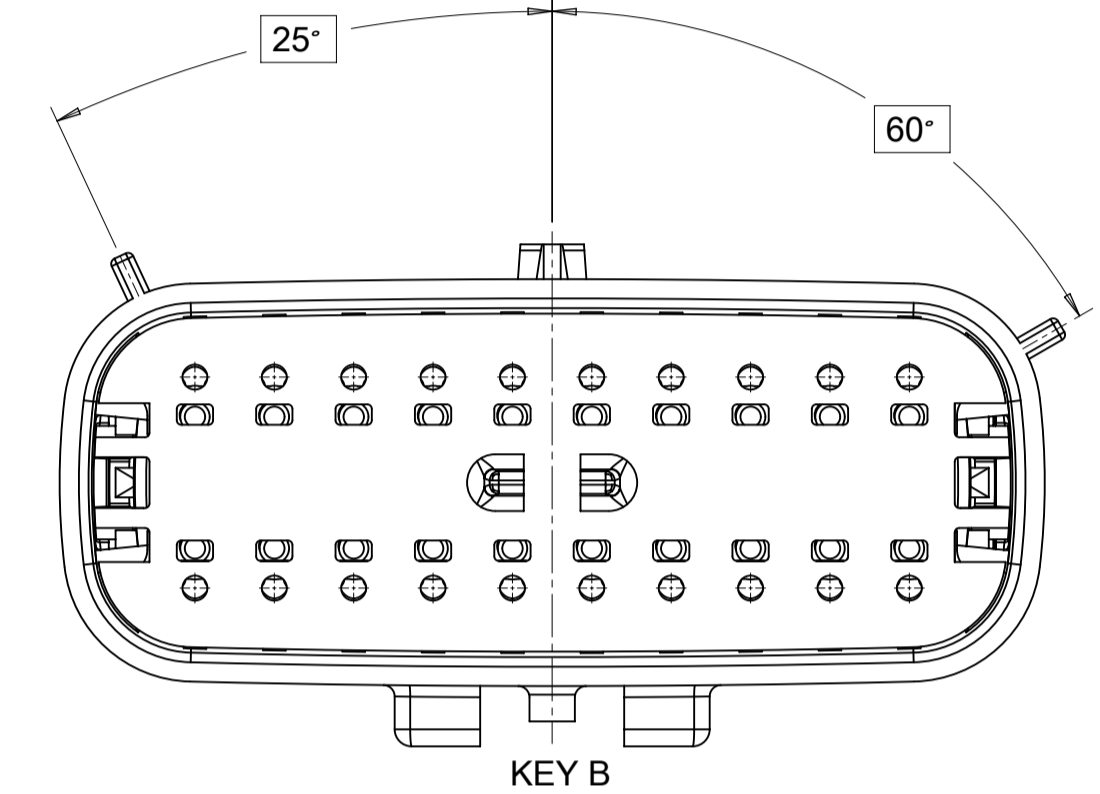


KEY D

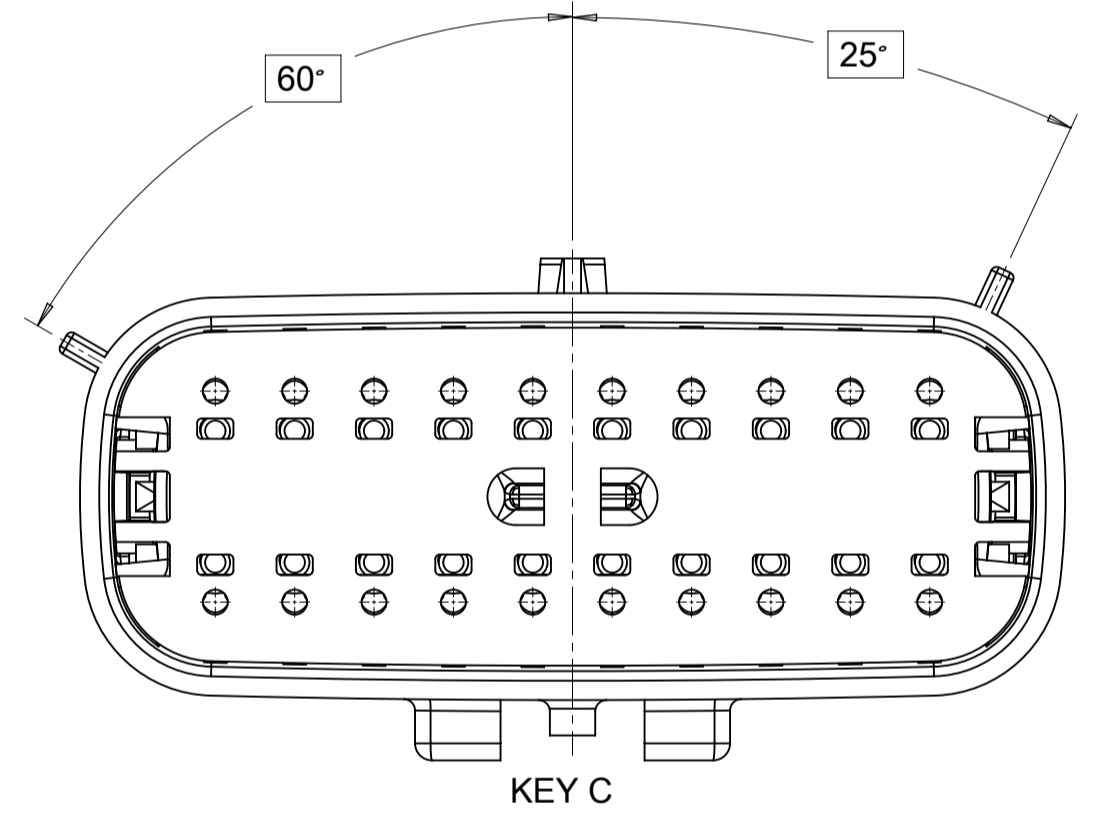
2X10



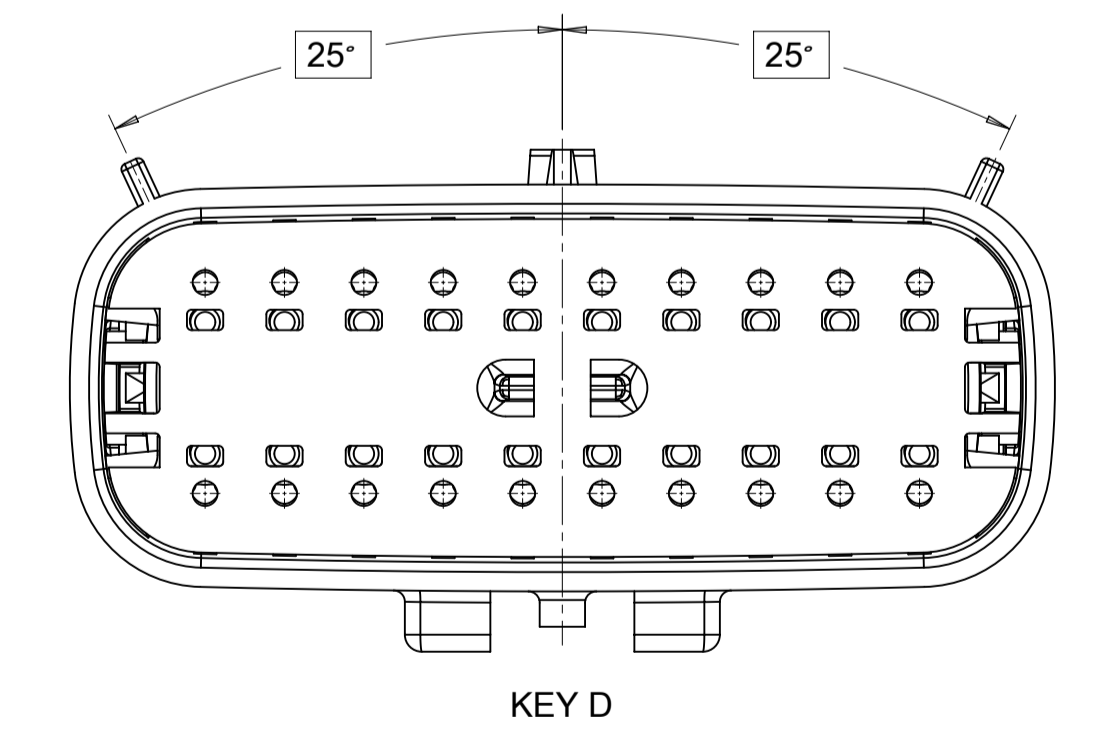
KEY A



KEY B



KEY C

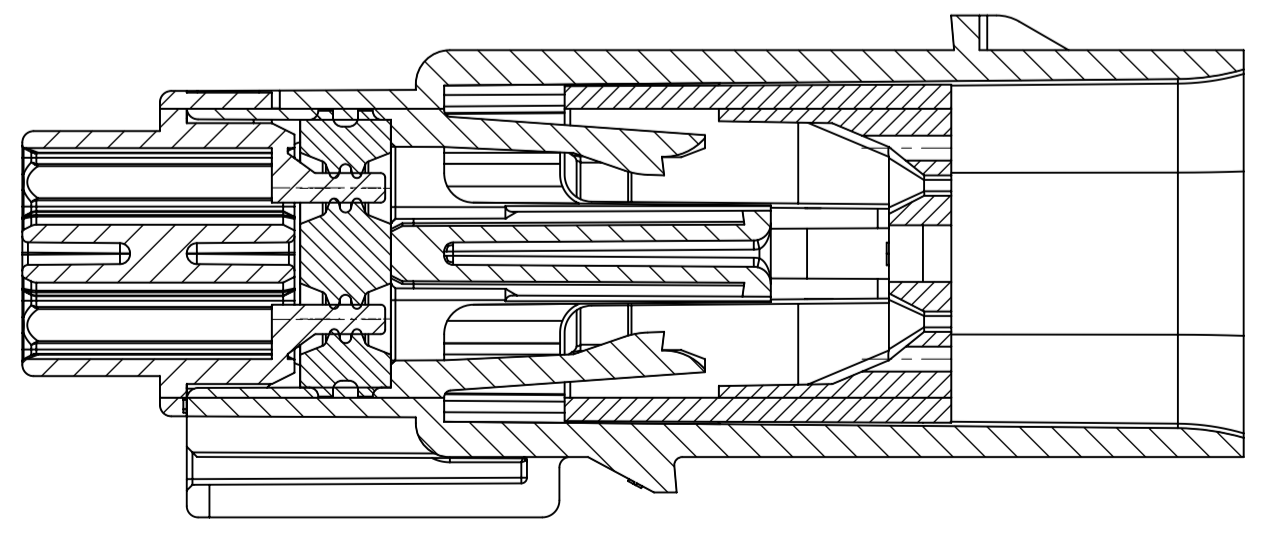
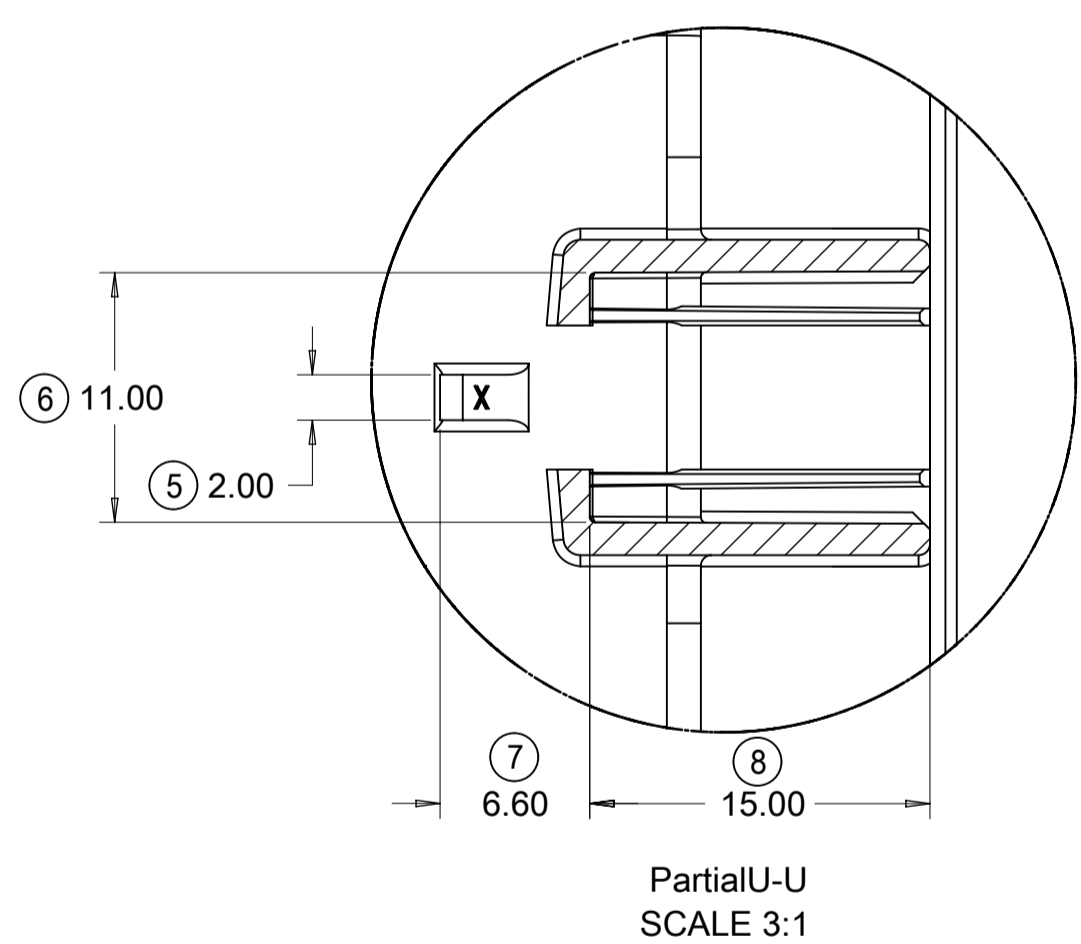
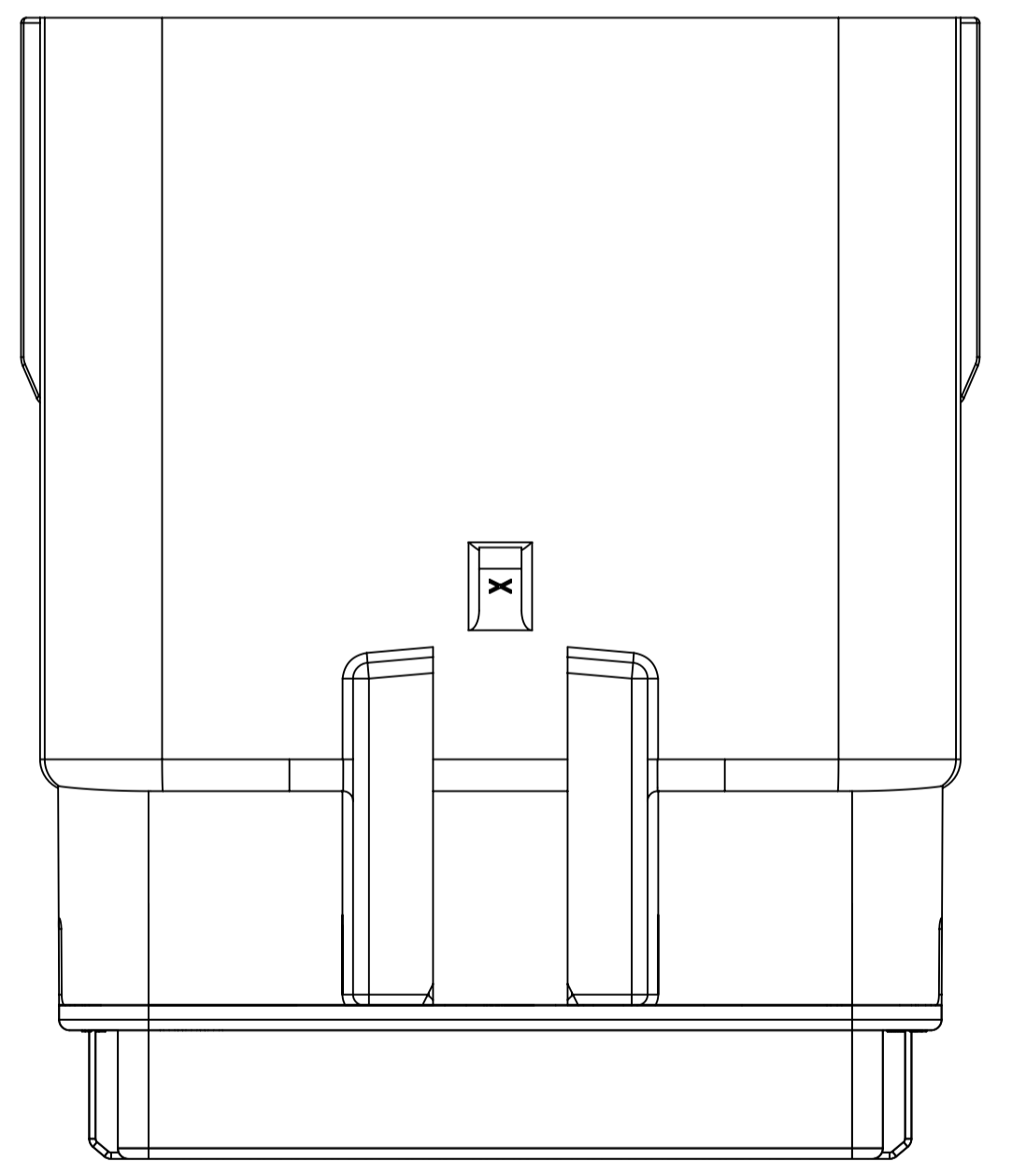
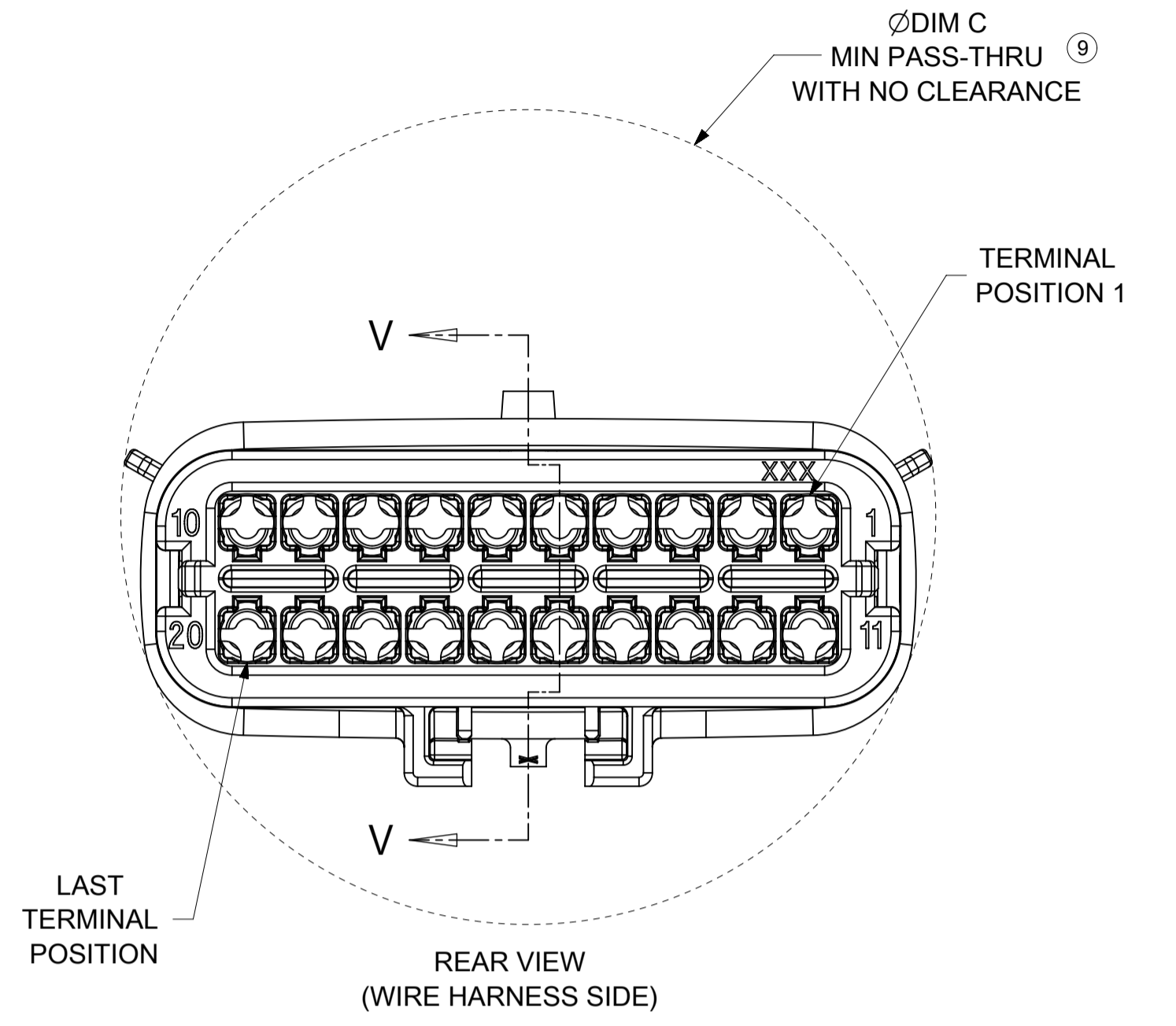
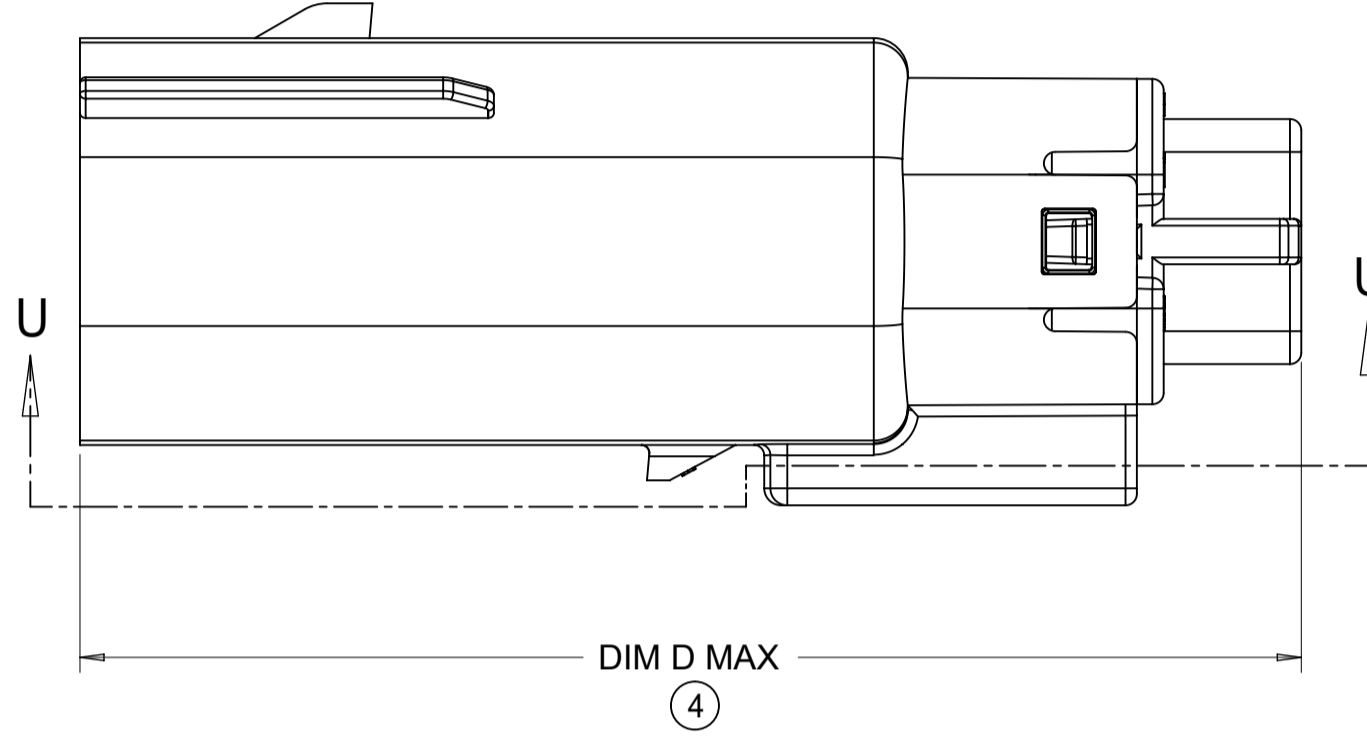
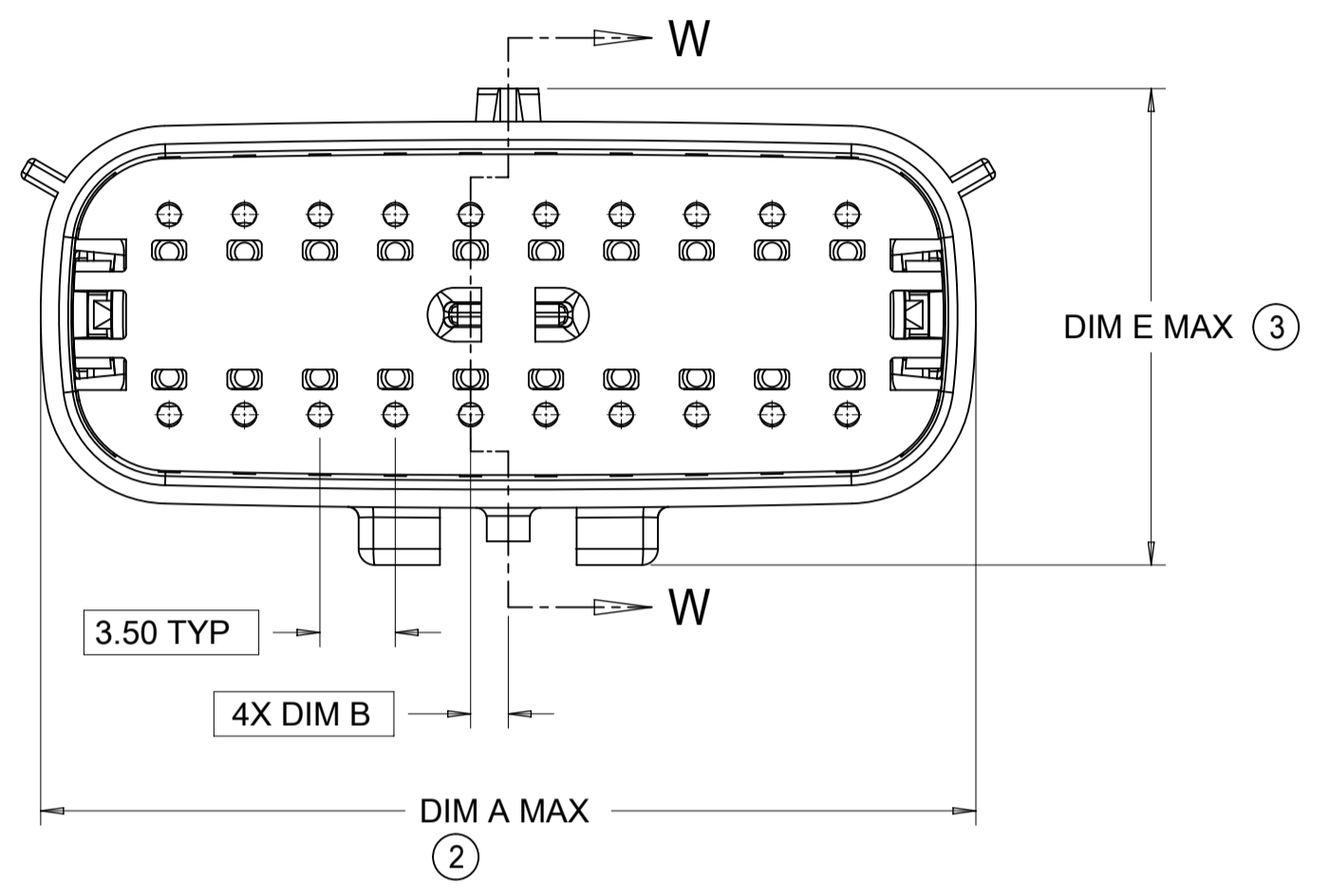
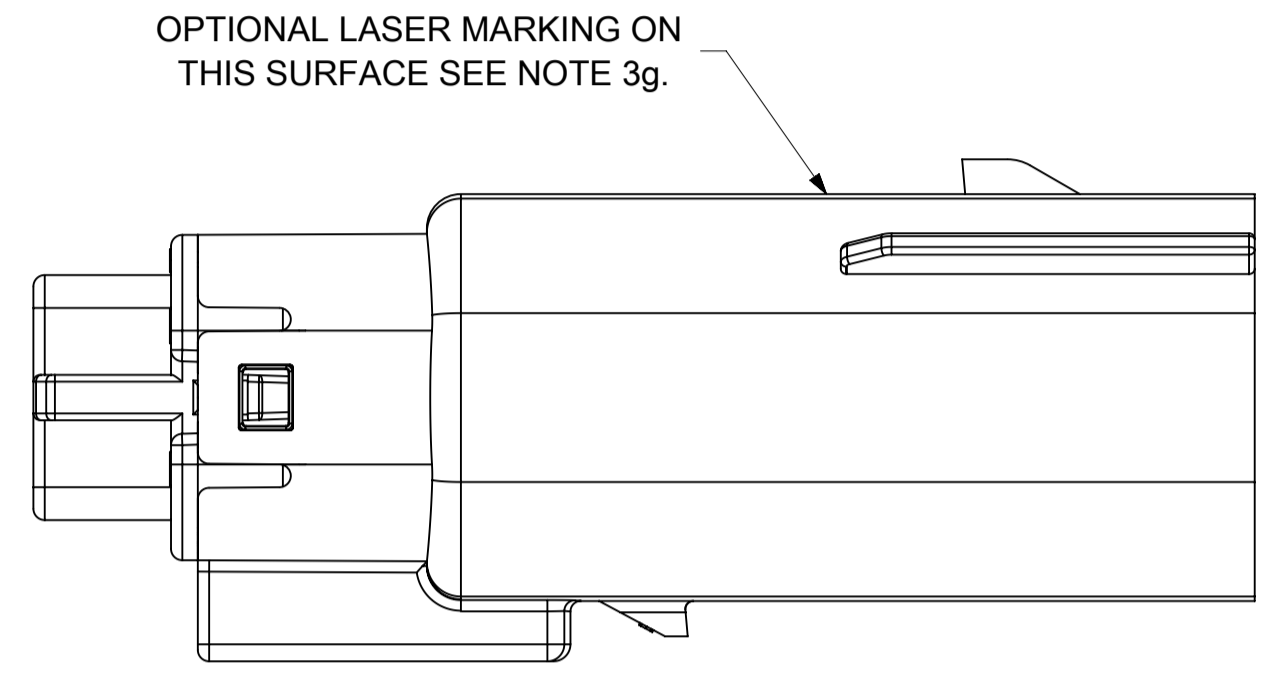


KEY D

SYMBOLS	THIS DRAWING CONTAINS INFORMATION THAT IS PROPRIETARY TO MOLEX ELECTRONIC TECHNOLOGIES, LLC AND SHOULD NOT BE USED WITHOUT WRITTEN PERMISSION		CURRENT REV DESC:	<b>molex</b>
	DIMENSION UNITS	SCALE		
= 0	mm	3:1	EC NO: 171650	PRODUCT CUSTOMER DRAWING
= 0	GENERAL TOLERANCES (UNLESS SPECIFIED)		DRWN: PMANJUNATHAC 2018/01/03	
= 0	ANGULAR TOL ± 1.0°		CHK'D: MVANSLAMBROU 2018/02/16	
= 0	4 PLACES ±		APPR: MVANSLAMBROU 2018/02/16	
= 0	3 PLACES ±		INITIAL REVISION:	
= 0	2 PLACES ± 0.1		DRWN: APROFFITT 2014/04/28	DOCUMENT NUMBER
= 0	1 PLACE ± 0.2		APPR: VKOSHY 2014/05/14	DOC TYPE   DOC PART   REVISION
= 0	0 PLACES ±			SD-33482-0001   PSD   001   E2
= 0	DRAFT WHERE APPLICABLE MUST REMAIN WITHIN DIMENSIONS		THIRD ANGLE PROJECTION	MATERIAL NUMBER
			DRAWING	CUSTOMER
			A1-SIZE	GENERAL MARKET
			SERIES	SHEET NUMBER
			33482	4 OF 11

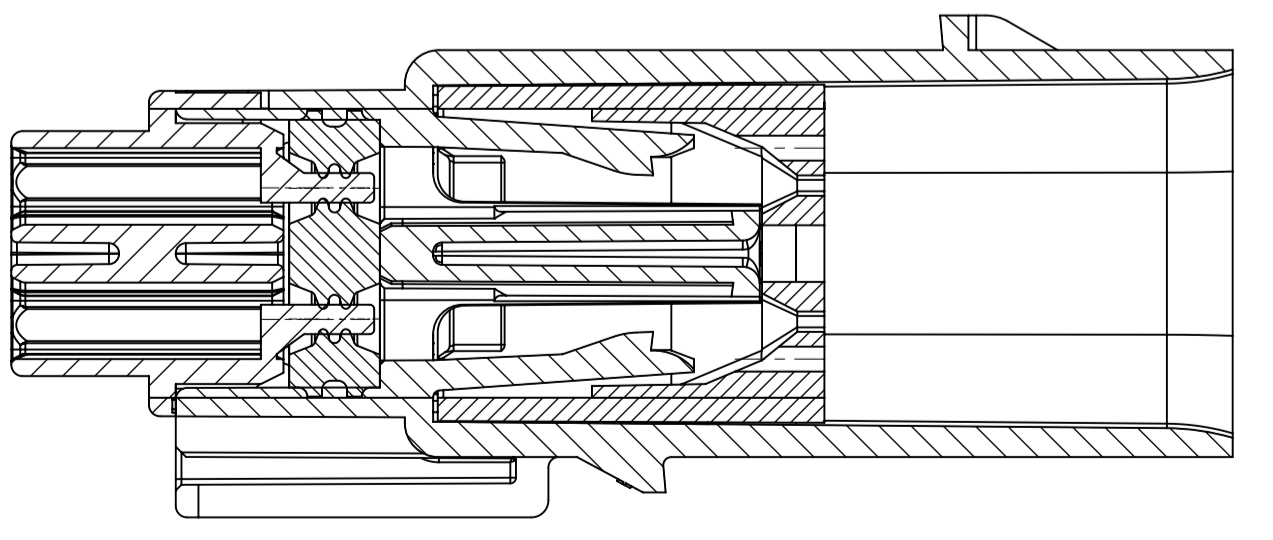
**SHEET DESCRIPTION**  
BLADE SEALED ASSEMBLY

CHARTED DIMENSION					
DESCRIPTION	DIMENSIONS				
	A	B	C	D	E
2X2	15.54	1.75	24.40	54.45	22.23
2X3 STANDARD	19.04	3.50	26.21	54.45	22.23
2X3 LENGTHENED	19.04	3.50	26.21	56.45	22.23
2X4	22.54	1.75	27.21	54.45	22.23
2X6	29.54	1.75	32.27	54.45	22.23
2X8	36.54	1.75	38.88	54.45	22.23
2X10	43.64	1.75	45.65	54.45	22.05



PRIMARY LOCK REINFORCEMENT (PLR) SHOWN IN PRE-STAGED POSITION

SECTION W-W



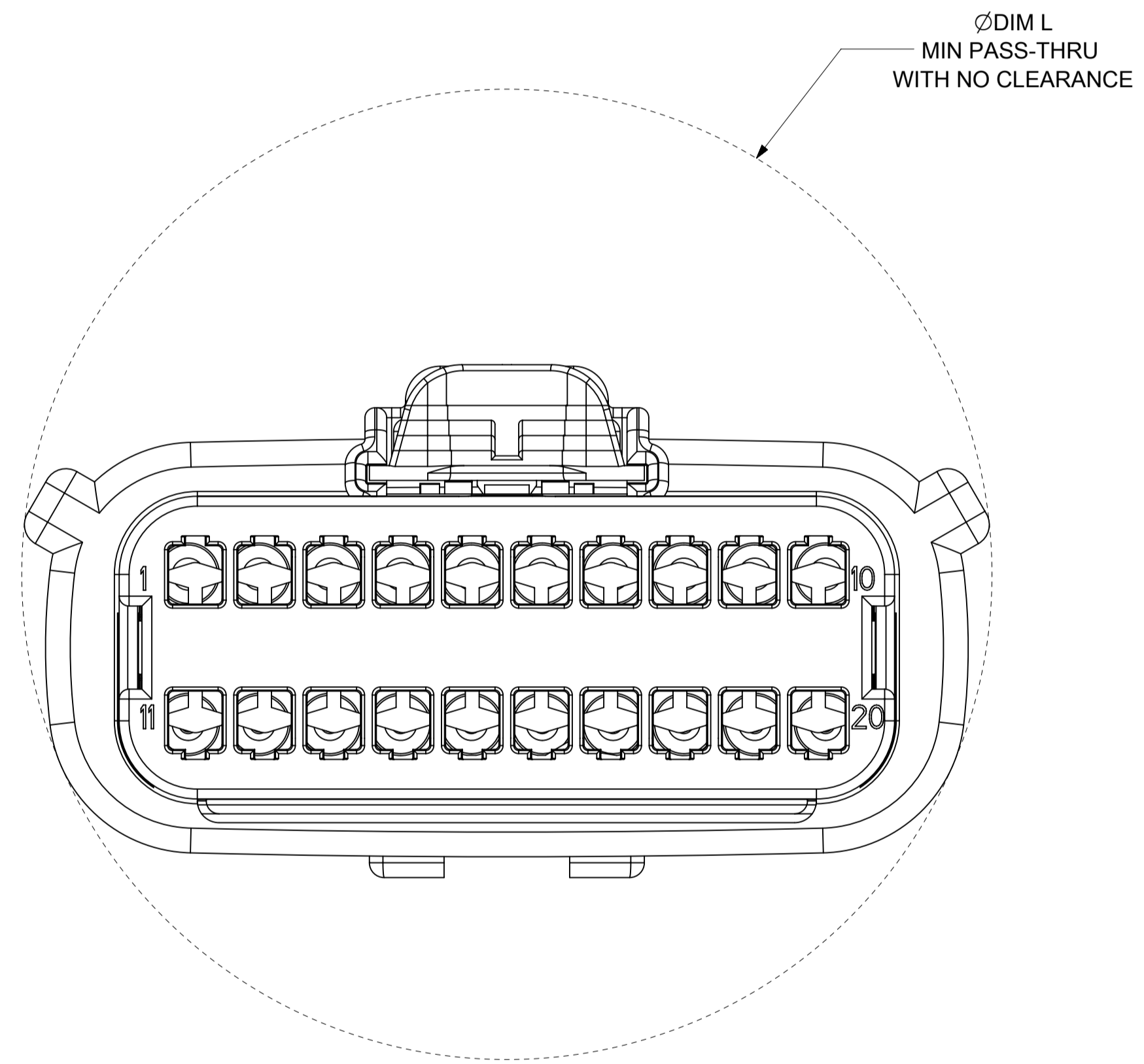
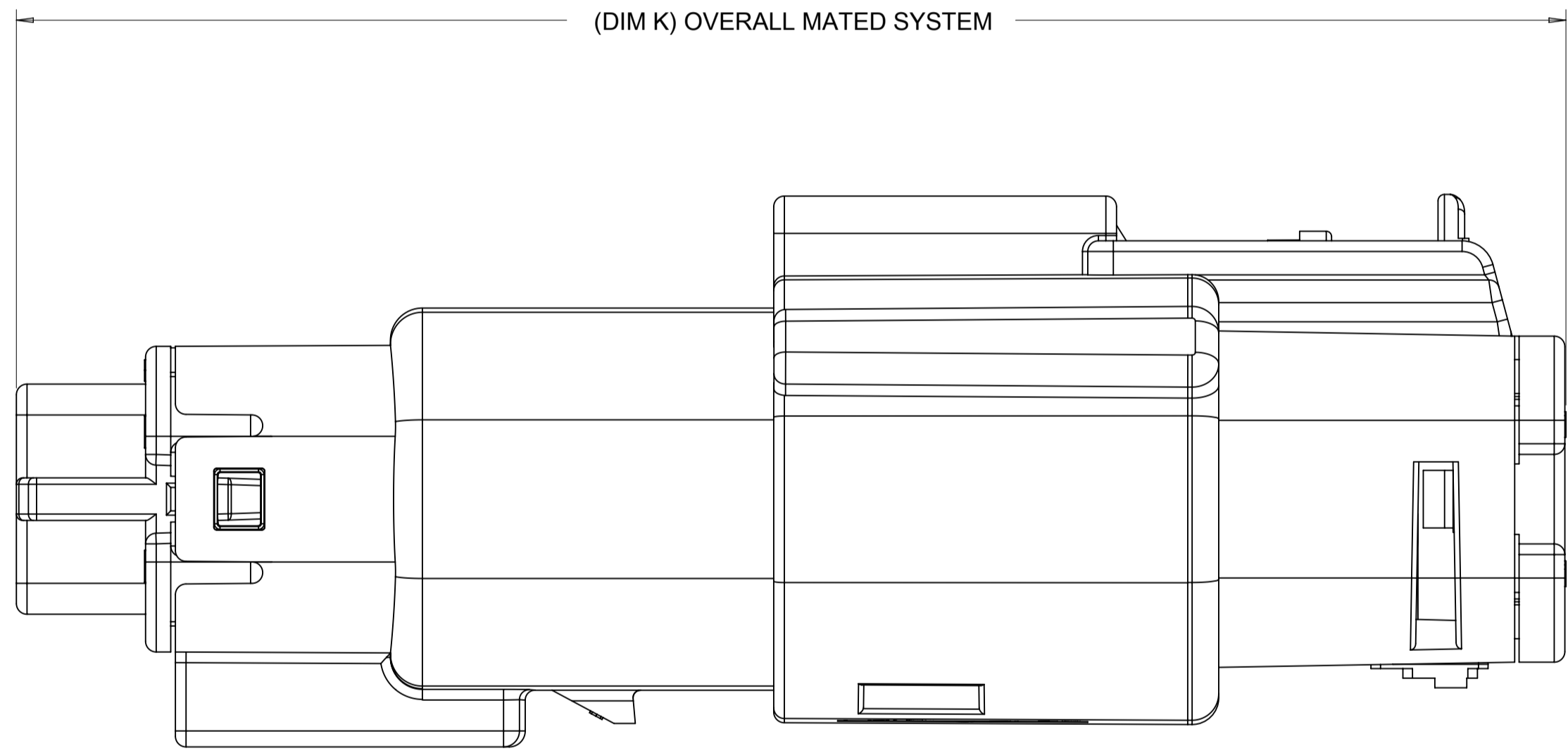
PRIMARY LOCK REINFORCEMENT (PLR) SHOWN IN FINAL-LOCK POSITION

SECTION V-V

<b>SYMBOLS</b> THIS DRAWING CONTAINS INFORMATION THAT IS PROPRIETARY TO MOLEX ELECTRONIC TECHNOLOGIES, LLC AND SHOULD NOT BE USED WITHOUT WRITTEN PERMISSION DIMENSION UNITS: mm SCALE: 3:1 GENERAL TOLERANCES (UNLESS SPECIFIED): ANGULAR TOL: ± 1.0° 4 PLACES: ± 3 PLACES: ± 2 PLACES: ± 0.1 1 PLACE: ± 0.2 0 PLACES: ± DRAFT WHERE APPLICABLE MUST REMAIN WITHIN DIMENSIONS	CURRENT REV DESC: EC NO: 171650 DRWN: PMANJUNATHAC 2018/01/03 CHK'D: MVANSLAMBROU 2018/02/16 APPR: MVANSLAMBROU 2018/02/16 INITIAL REVISION: DRWN: APROFFITT 2014/04/28 APPR: VKOSHY 2014/05/14		 MX150 BLADE DUAL ROW SEALED ASSEMBLY MAT SEAL PRODUCT CUSTOMER DRAWING	
	THIRD ANGLE PROJECTION DRAWING: A1-SIZE SERIES: 33482			

**SHEET DESCRIPTION**  
SYSTEM PACKAGING

CHARTED DIMENSION				
CKT	BLADE CONFIGURATION	RECEPTACLE CONFIGURATION	DIMENSIONS	
			K	L
2X2	STANDARD	W/O CLIPSLOT	72.78	28.00
		W/ CLIPSLOT	72.78	28.50
		LENGTHENED	77.21	28.00
2X3	STANDARD	W/O CLIPSLOT	72.78	28.00
		W/ CLIPSLOT		30.50
	LENGTHENED	W/O CLIPSLOT	74.79	28.00
		W/ CLIPSLOT		30.50
2X4	STANDARD	W/O CLIPSLOT	72.78	29.50
		W/ CLIPSLOT		31.50
2X6	STANDARD	W/O CLIPSLOT	72.79	35.58
		W/ CLIPSLOT		
2X8	STANDARD	W/O CLIPSLOT	72.67	42.25
		W/ CLIPSLOT		
2X10	STANDARD	STANDARD	72.78	49.05



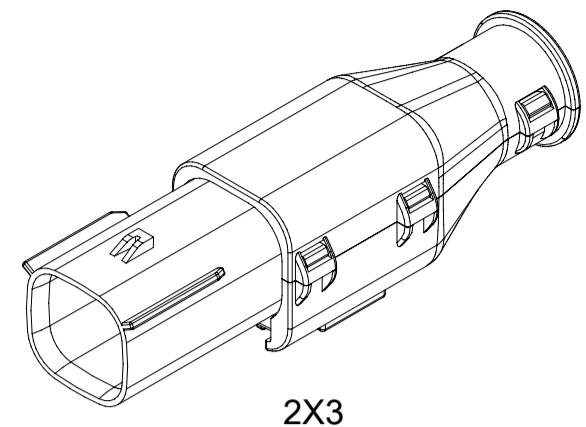
<b>SYMBOLS</b> ▽ = 0 ▽ = 0 ▽ = 0 ▽ = 0 ▽ = 0 ▽ = 0 ▽ = 0 ▽ = 0 ▽ = 0 ▽ = 0	THIS DRAWING CONTAINS INFORMATION THAT IS PROPRIETARY TO MOLEX ELECTRONIC TECHNOLOGIES, LLC AND SHOULD NOT BE USED WITHOUT WRITTEN PERMISSION	DIMENSION UNITS	SCALE	CURRENT REV DESC:						
	mm	4:1	EC NO: 171650 DRWN: PMANJUNATHAC 2018/01/03 CHK'D: MVANSLAMBROU 2018/02/16 APPR: MVANSLAMBROU 2018/02/16							
	GENERAL TOLERANCES (UNLESS SPECIFIED)				INITIAL REVISION:			DOCUMENT NUMBER		
	ANGULAR TOL ± 1.0°				DRWN: APROFFITT 2014/04/28			SD-33482-0001		
	4 PLACES ±				APPR: VKOSHY 2014/05/14			DOC TYPE   DOC PART   REVISION		
	3 PLACES ±				DRAFT WHERE APPLICABLE MUST REMAIN WITHIN DIMENSIONS			PSD   001   E2		
	2 PLACES ± 0.1				THIRD ANGLE PROJECTION			MATERIAL NUMBER		
	1 PLACE ± 0.2				DRAWING			CUSTOMER		
	0 PLACES ±				A1-SIZE			SHEET NUMBER		
	0 PLACES ±				SERIES			GENERAL MARKET		
				33482			6 OF 11			

**SHEET DESCRIPTION**  
**BACKSHELL NOTES**

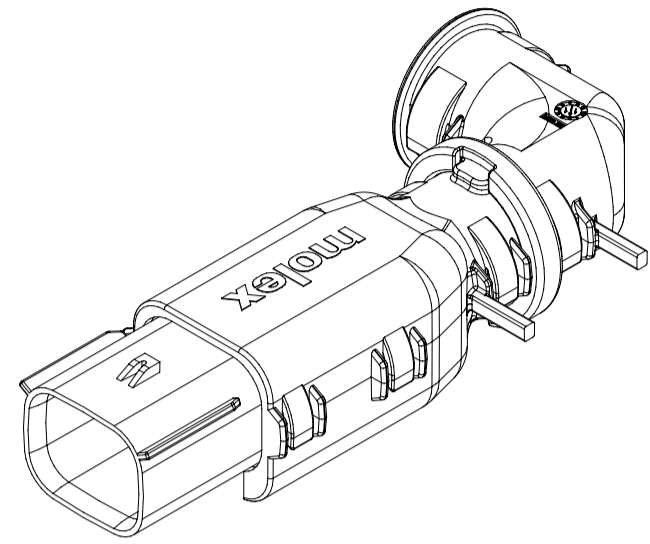
BACKSHELL NOTES: VALID UNLESS OTHERWISE SPECIFIED

1. GENERAL:

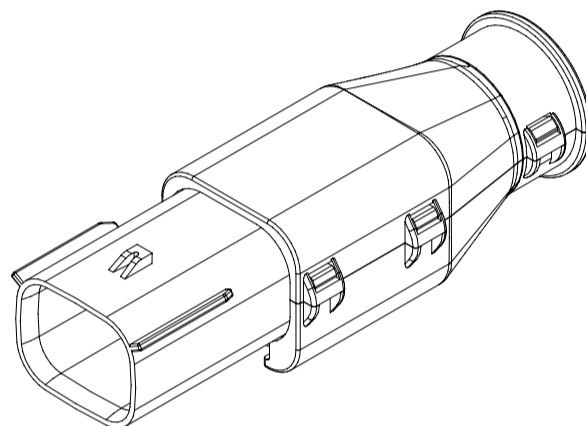
- a. APPLICATION SPECIFICATION SEE: AS-34951-001
- DESIGNED TO MATE WITH BLADE SEALED ASSEMBLY SPECIFIED IN MOLEX DRAWING SD-33482-0001.
- SYSTEM TO BE USED WITH WIRE WITHIN DIAMETER RANGE OF 1.2mm TO 2.69mm.
- COMPONENTS ARE OPTIONAL AND MUST BE PURCHASED SEPERATELY.
- DESIGN IS OWNED BY SCHLEMMER FOR SCHLEMMER BACKSHELL.
- DESIGN IS OWNED BY MOLEX FOR MOLEX BACKSHELL.
- 90° ADAPTOR DESIGN IS OWNED BY MOLEX.
- FOR ADDITIONAL INFORMATION SEE THE BACKSHELL COMPONENT DRAWING SD-34950-0001.



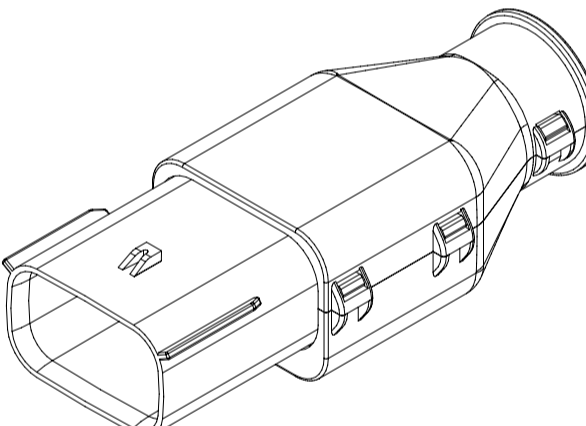
2X3



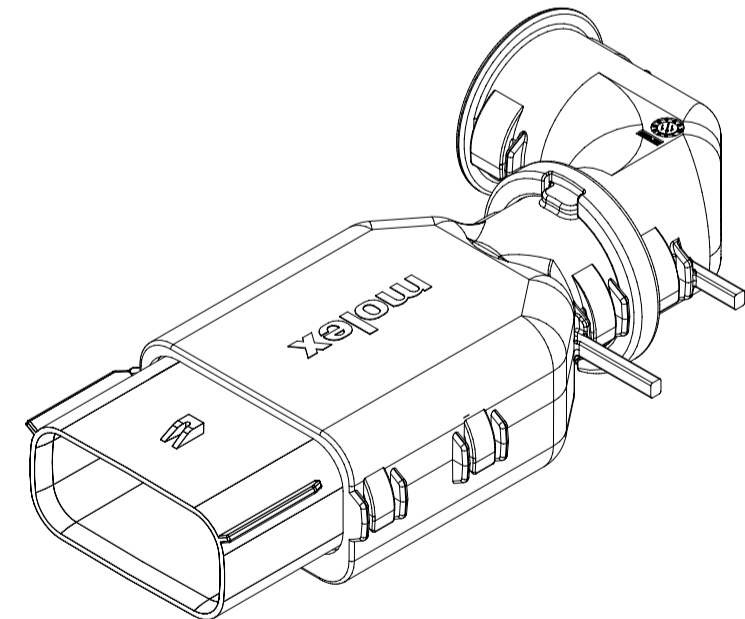
2X4



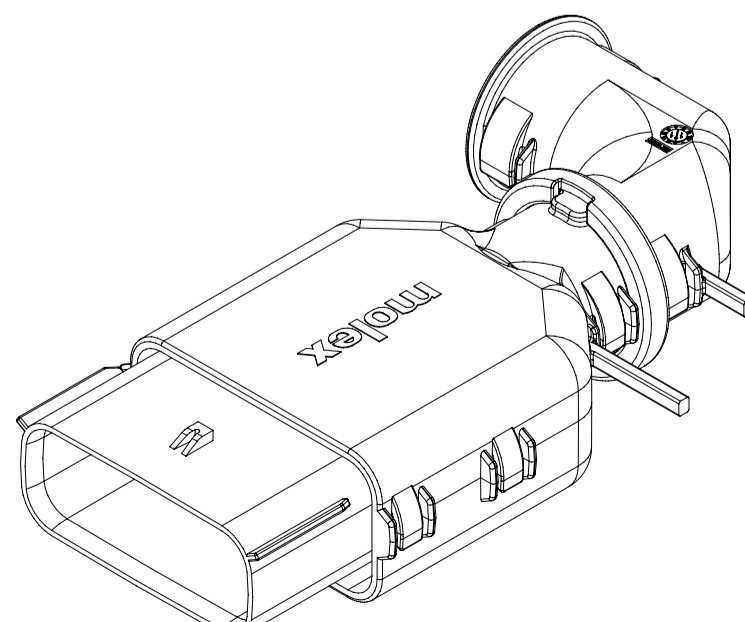
2X4



2X6



2X8



2X10

BACKSHELL CUSTOMER MODEL NUMBER LEGEND

34950-XXXX

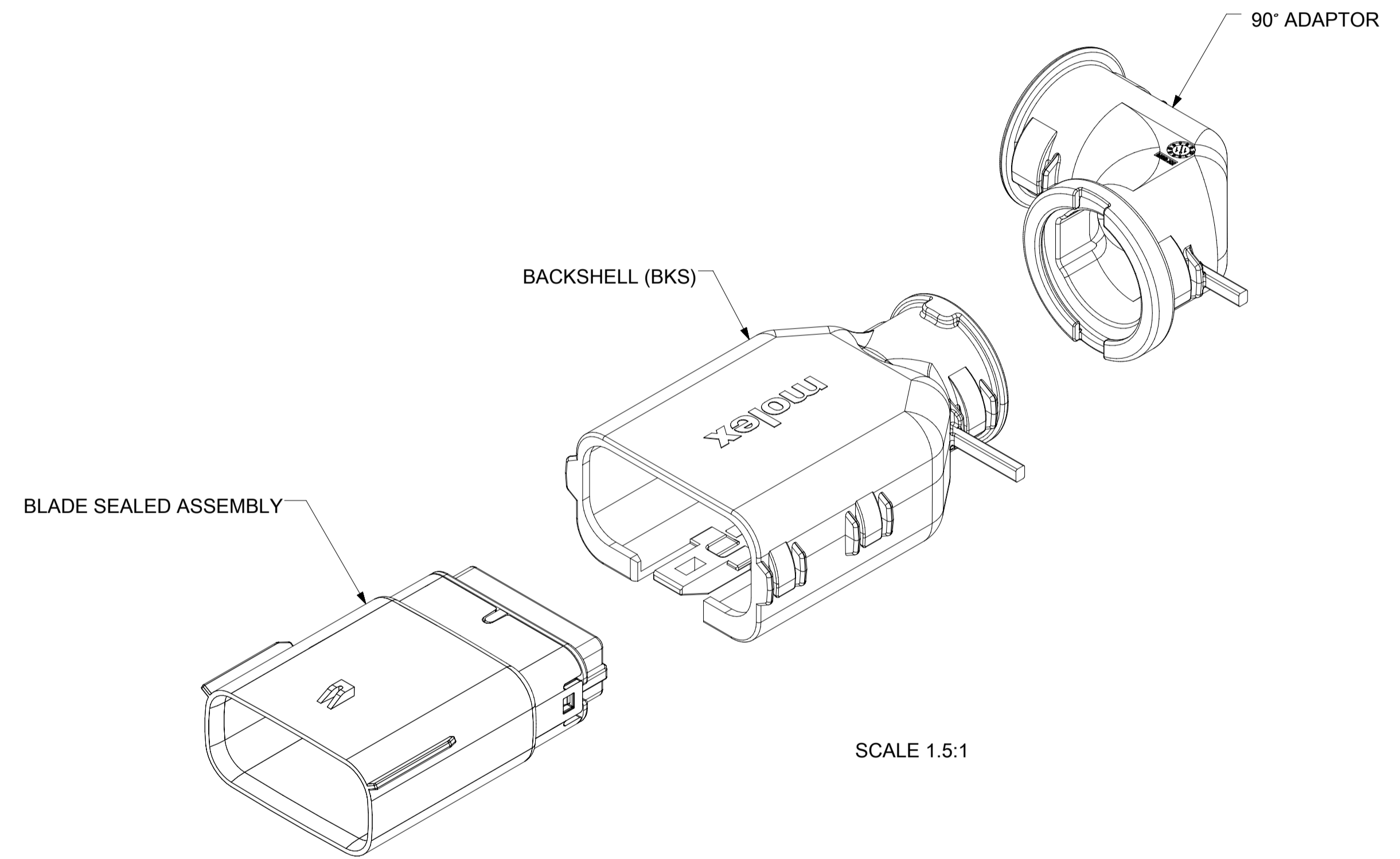
CUSTOMER MODEL COMPONENTS

- 0 - SCHLEMMER BACKSHELL ONLY
- 1 - SCHLEMMER BACKSHELL & MX150 HOUSING KEY A ASSEMBLY
- 2 - SCHLEMMER BACKSHELL & MX150 HOUSING KEY B ASSEMBLY
- 3 - SCHLEMMER BACKSHELL & MX150 HOUSING KEY C ASSEMBLY
- 4 - SCHLEMMER BACKSHELL & MX150 HOUSING KEY D ASSEMBLY
- 5 - MOLEX BACKSHELL ONLY
- 6 - MOLEX BACKSHELL & MX150 HOUSING KEY A ASSEMBLY
- 7 - MOLEX BACKSHELL & MX150 HOUSING KEY B ASSEMBLY
- 8 - MOLEX BACKSHELL & MX150 HOUSING KEY C ASSEMBLY
- 9 - MOLEX BACKSHELL & MX150 HOUSING KEY D ASSEMBLY

BACKSHELL FEATURES

- 1 - WITH RIBS
- 2 - WITHOUT RIBS
- 3 - 90° ADAPTOR

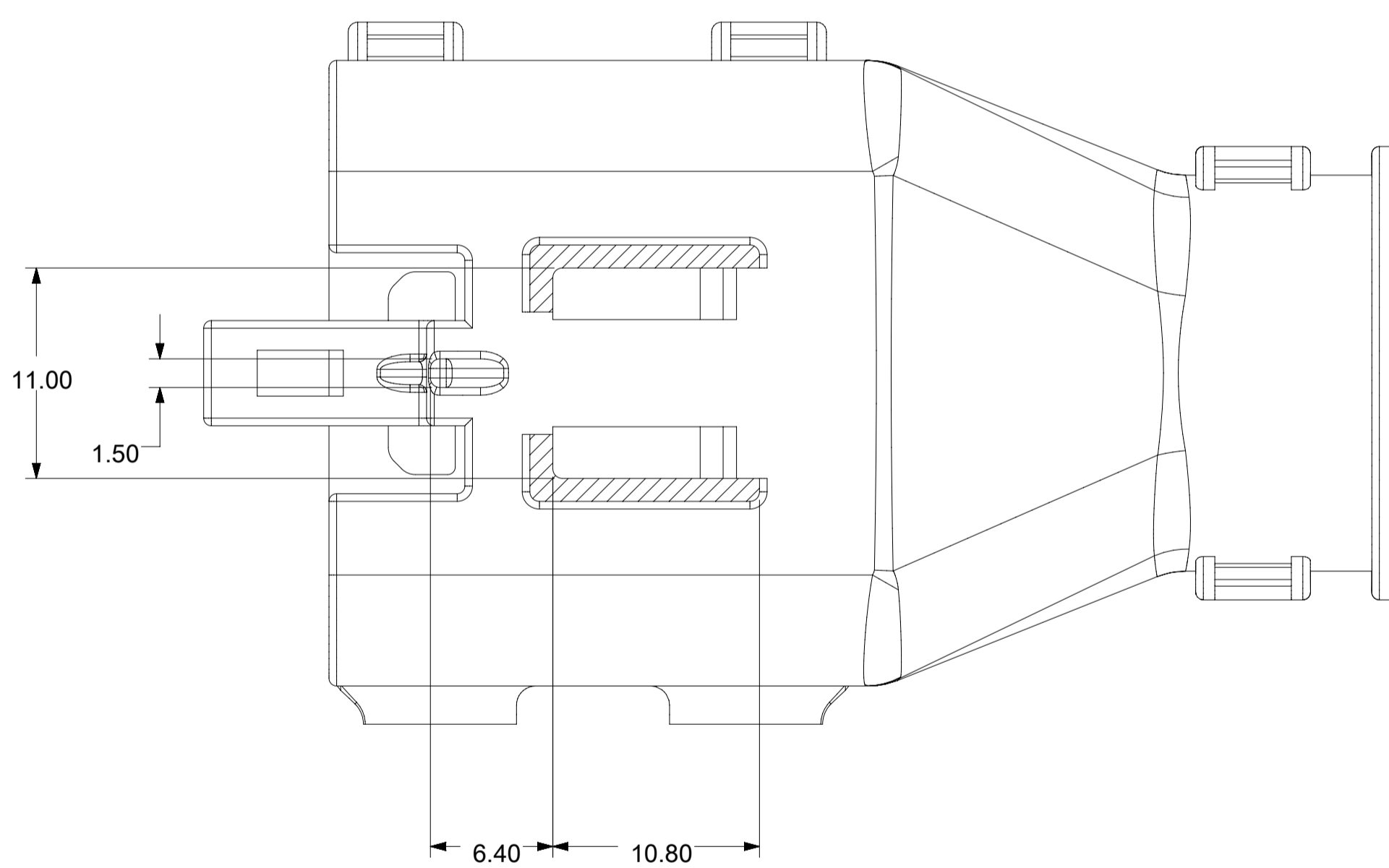
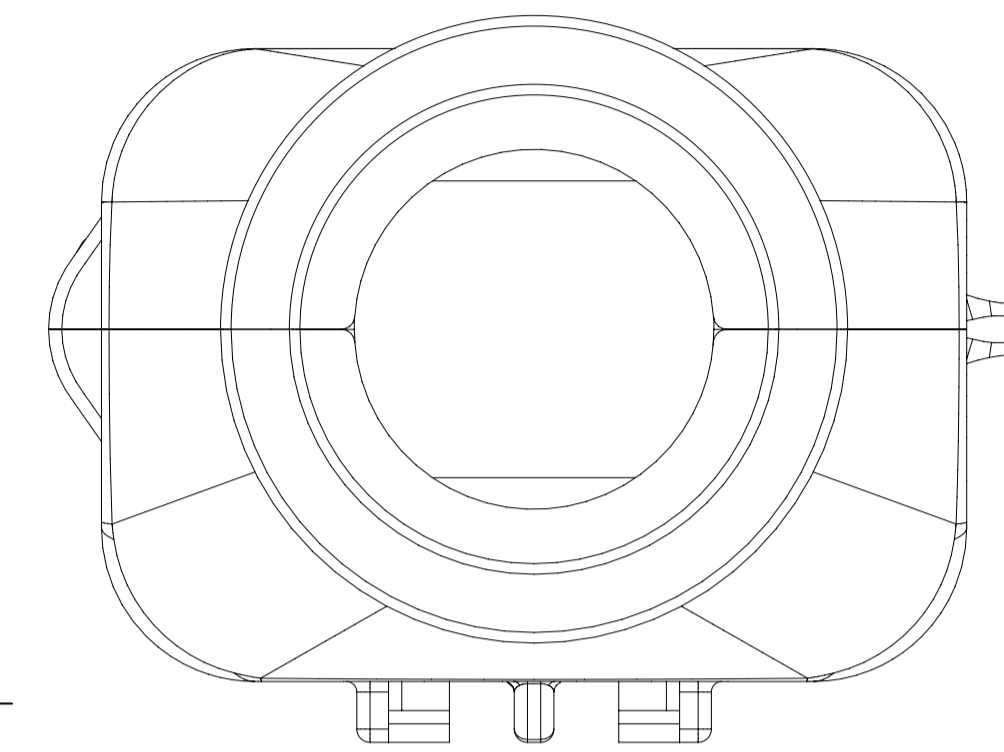
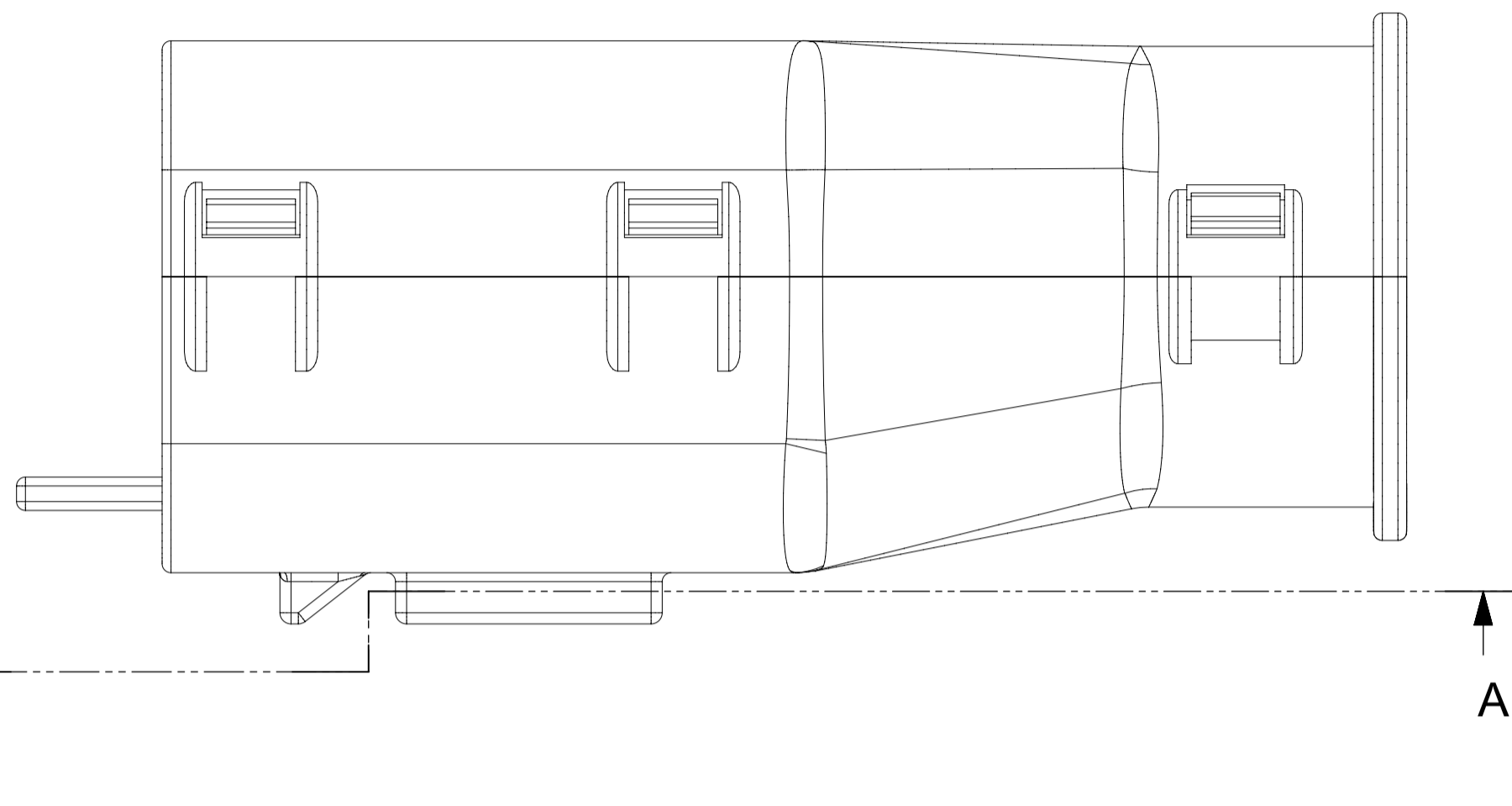
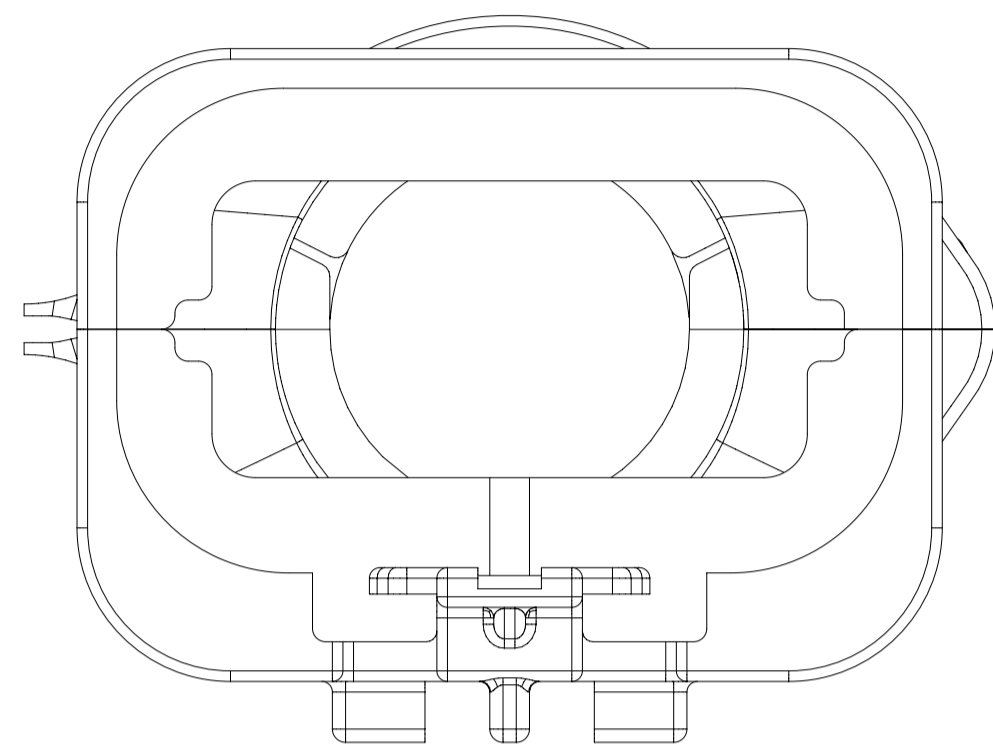
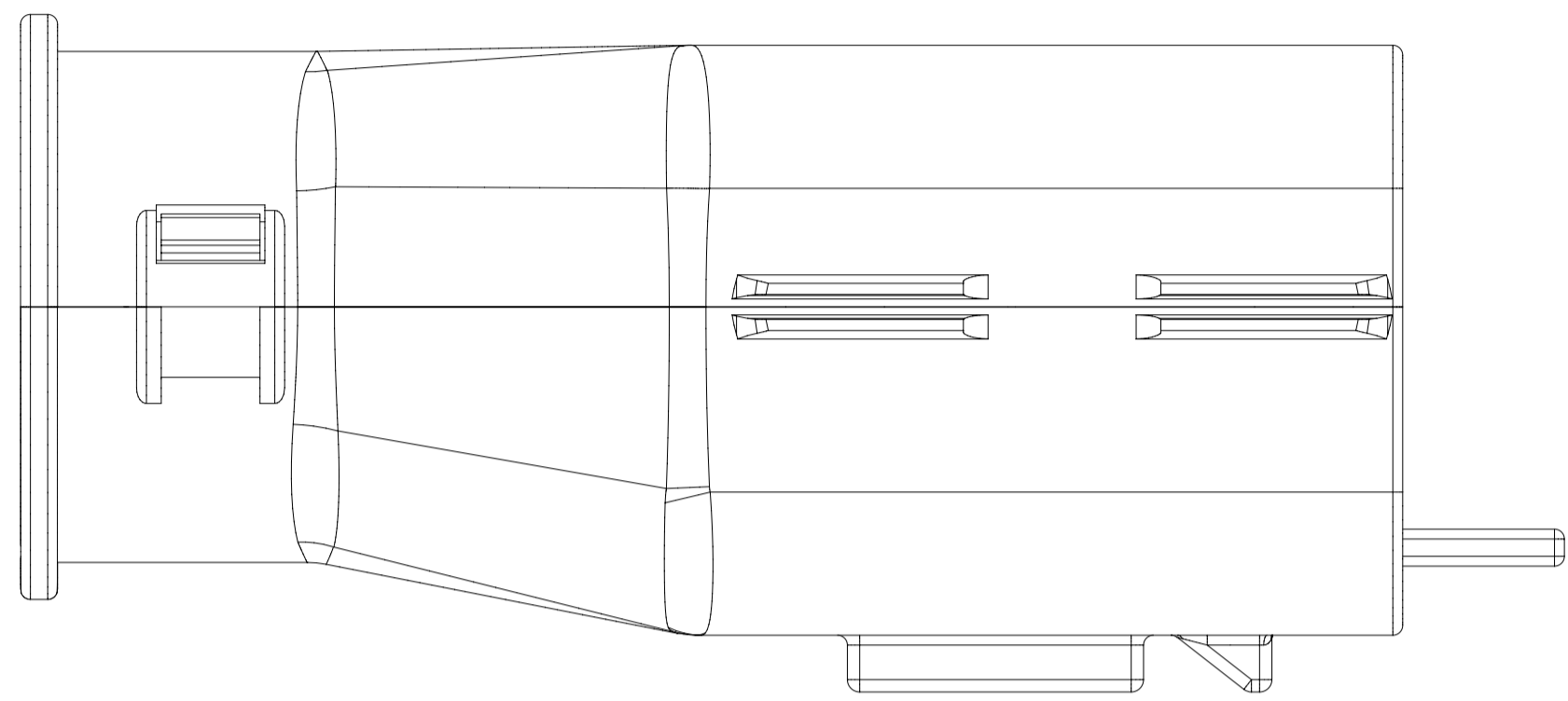
MX150 CIRCUIT SIZE 04, 06, 08, 12, 16, 20



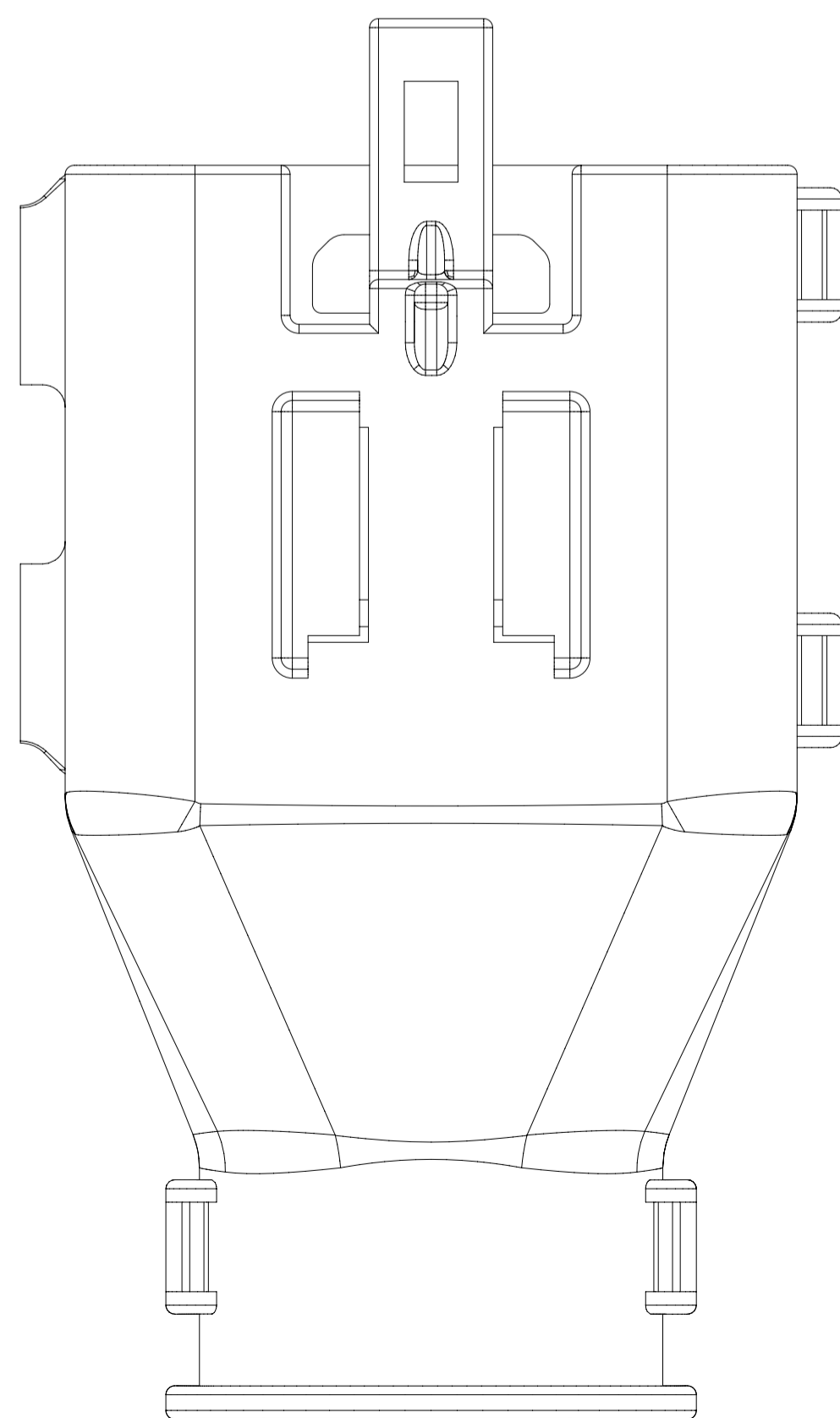
<b>SYMBOLS</b> = 0 mm 1.5:1 = 0 GENERAL TOLERANCES (UNLESS SPECIFIED) = 0 ANGULAR TOL ± 1.0° = 0 4 PLACES ± = 0 3 PLACES ± = 0 2 PLACES ± 0.1 = 0 1 PLACE ± 0.2 = 0 0 PLACES ± = 0 DRAFT WHERE APPLICABLE MUST REMAIN WITHIN DIMENSIONS = 0 THIRD ANGLE PROJECTION	THIS DRAWING CONTAINS INFORMATION THAT IS PROPRIETARY TO MOLEX ELECTRONIC TECHNOLOGIES, LLC AND SHOULD NOT BE USED WITHOUT WRITTEN PERMISSION DIMENSION UNITS: mm SCALE: 1.5:1		CURRENT REV DESC: EC NO: 171650 DRWN: PMANJUNATHAC 2018/01/03 CHK'D: MVANSLAMBROU 2018/02/16 APPR: MVANSLAMBROU 2018/02/16		 MX150 BLADE DUAL ROW SEALED ASSEMBLY MAT SEAL		
	GENERAL TOLERANCES (UNLESS SPECIFIED) ANGULAR TOL ± 1.0° 4 PLACES ± 3 PLACES ± 2 PLACES ± 0.1 1 PLACE ± 0.2 0 PLACES ±		INITIAL REVISION: DRWN: APROFFITT 2014/04/28 APPR: VKOSHY 2014/05/14				
DRAFT WHERE APPLICABLE MUST REMAIN WITHIN DIMENSIONS THIRD ANGLE PROJECTION		DRAWING: A1-SIZE SERIES: 33482		MATERIAL NUMBER: CUSTOMER: GENERAL MARKET SHEET NUMBER: 7 OF 11			

SHEET DESCRIPTION

SCHLEMMER BACKSHELL



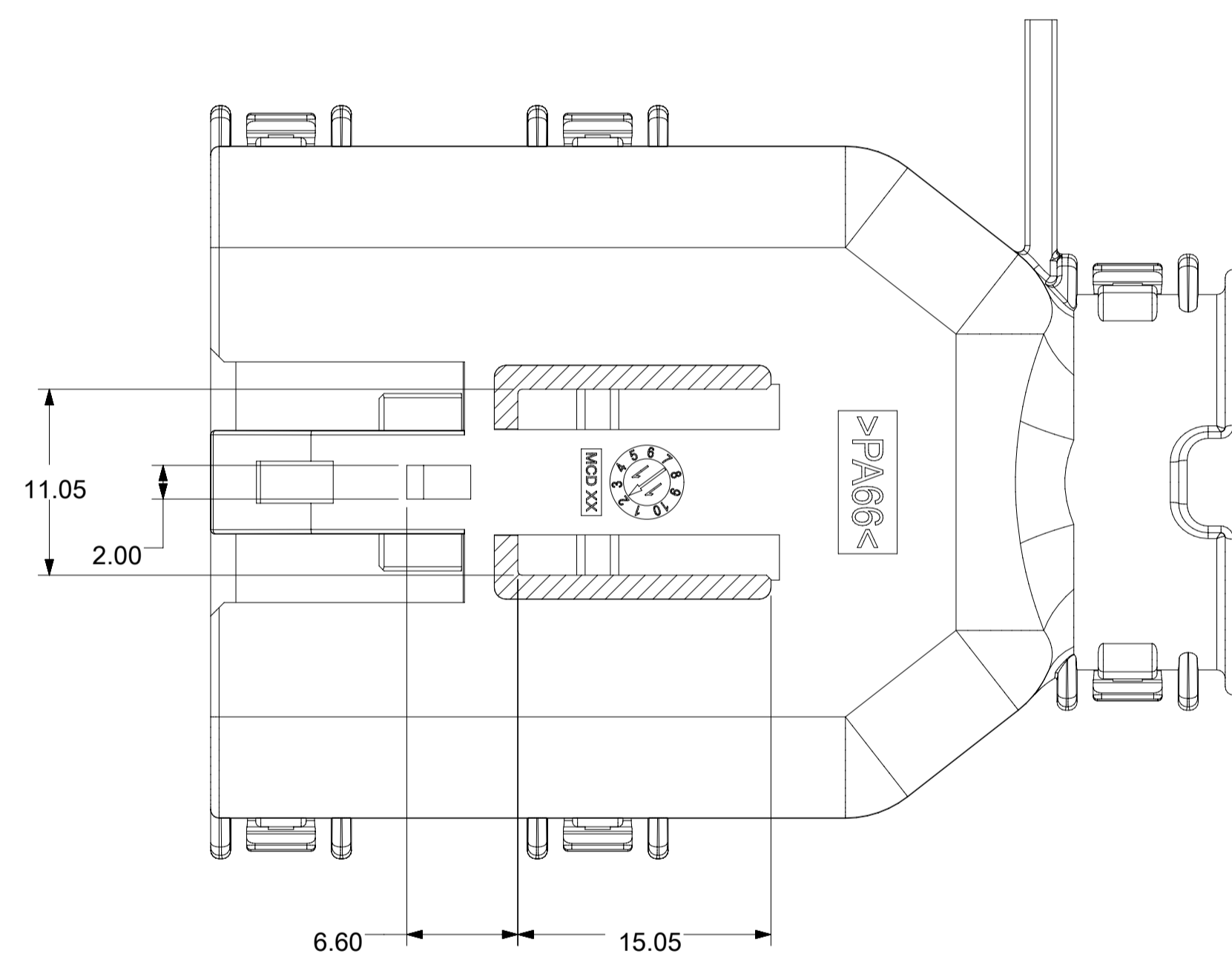
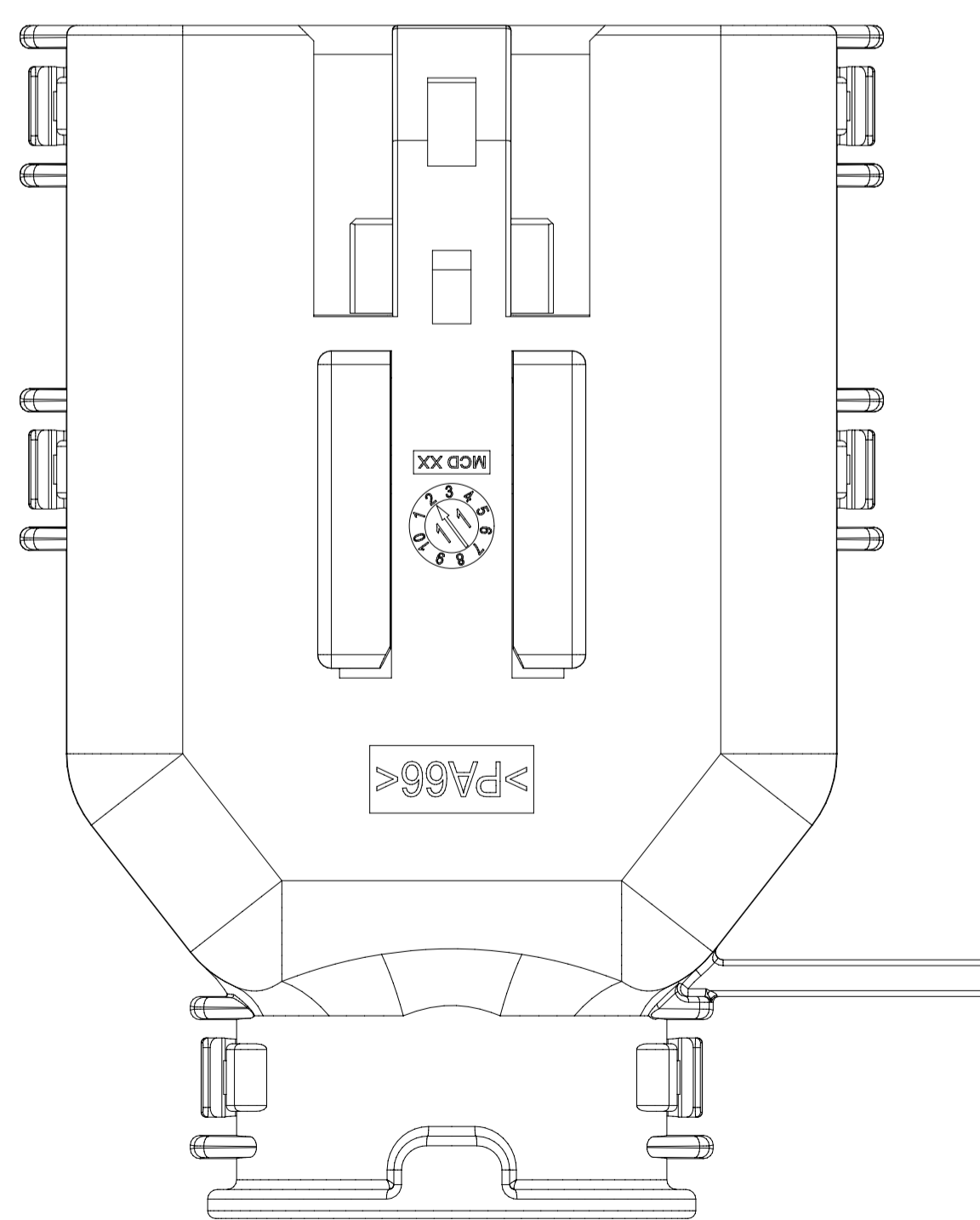
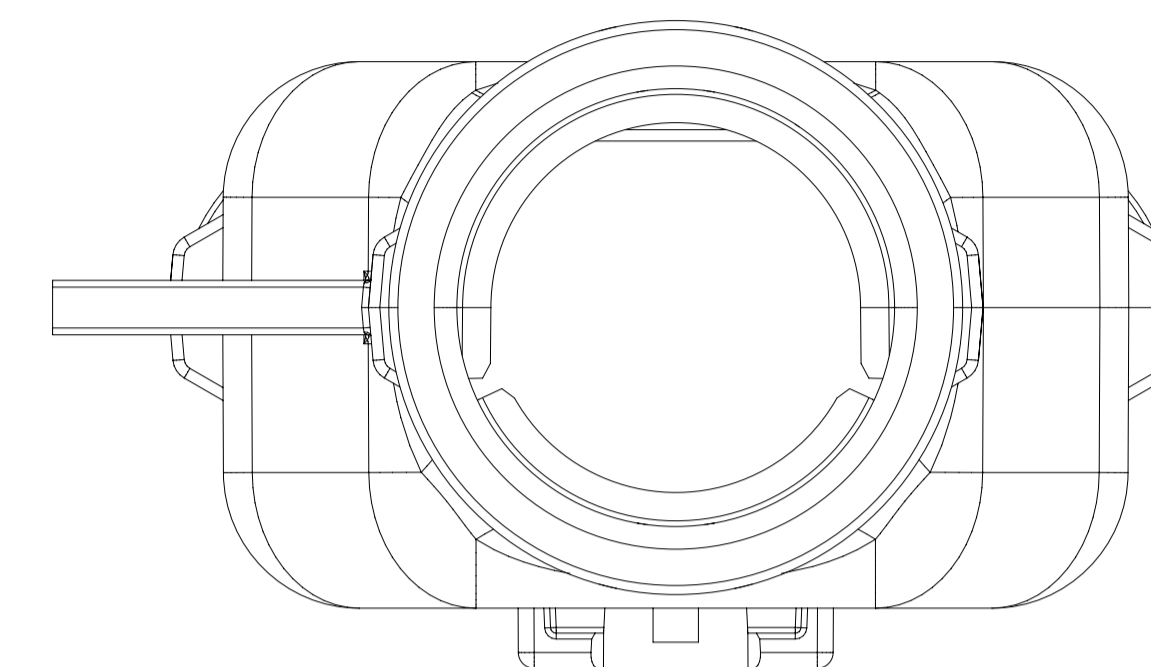
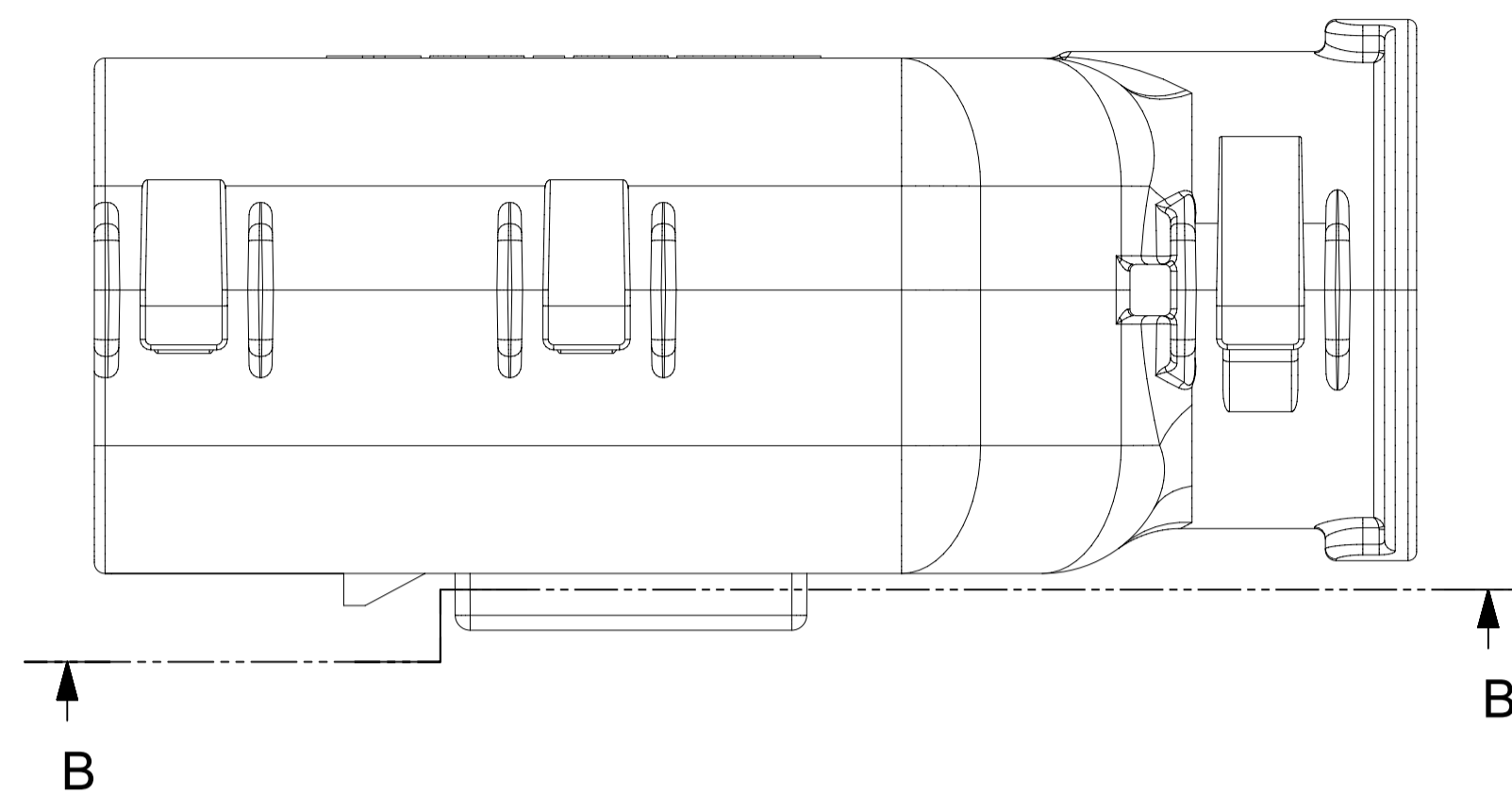
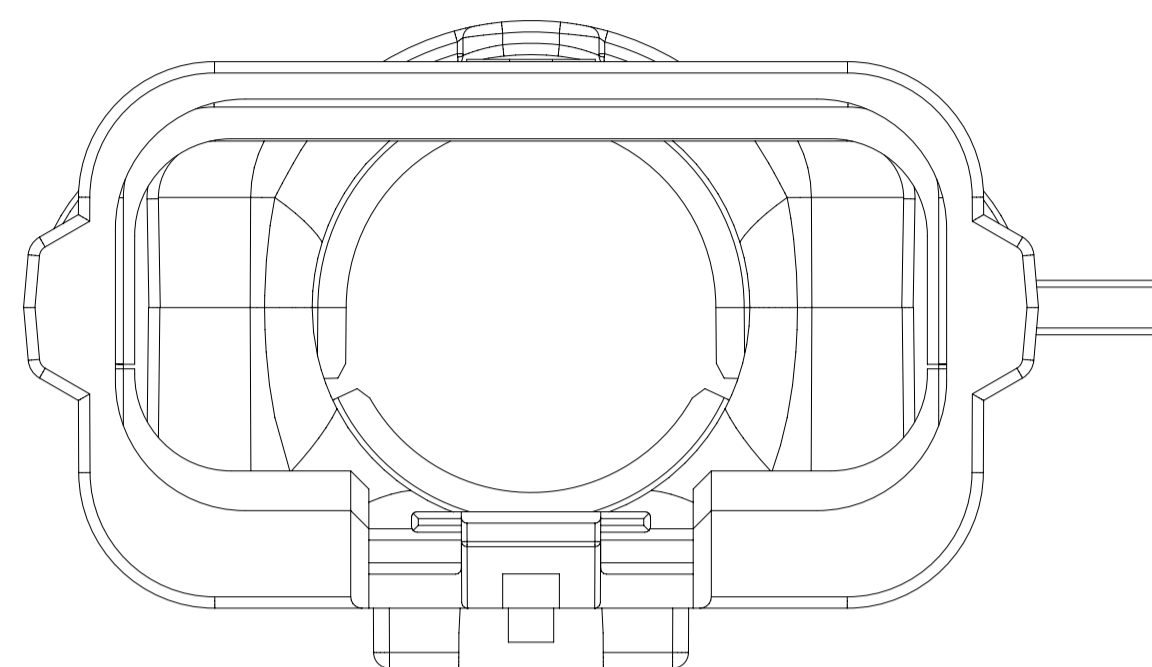
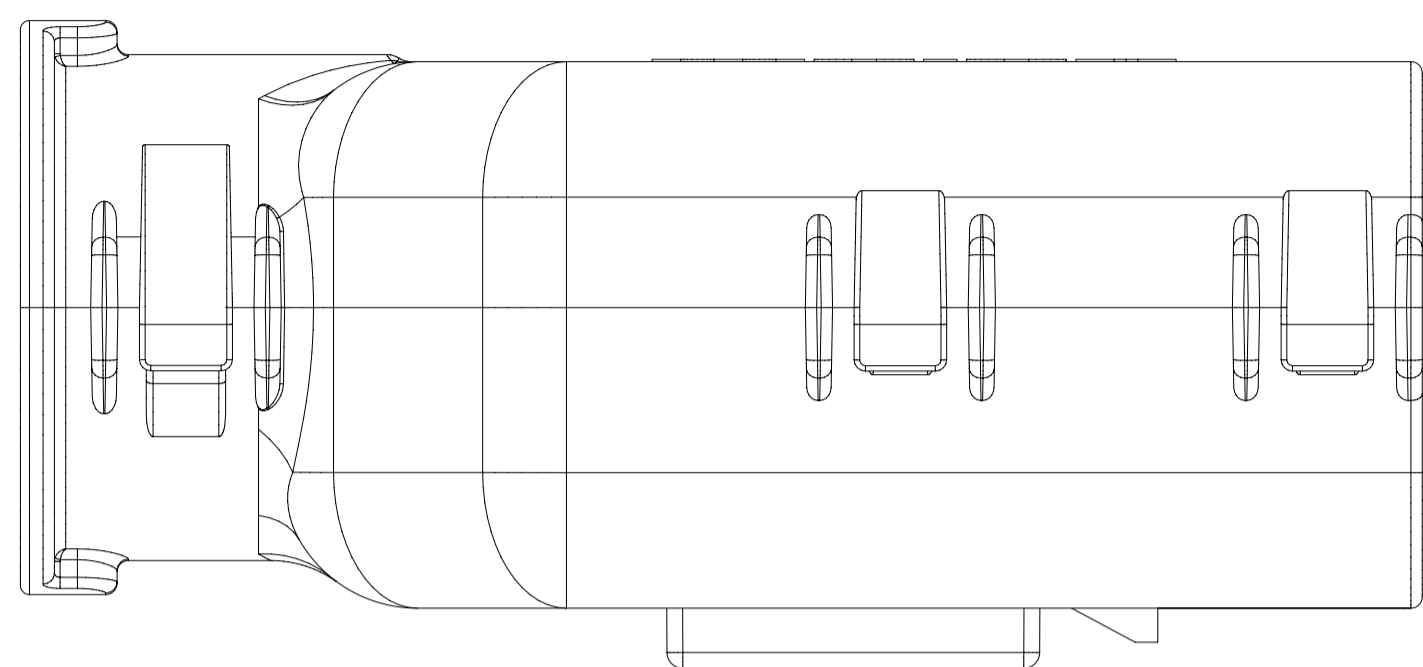
SECTION A-A



<p><b>SYMBOLS</b></p> <p>▽ = 0 ▽ = 0 ▽ = 0 ▽ = 0 ▽ = 0 ▽ = 0 ▽ = 0 ▽ = 0 ▽ = 0</p>	<p>THIS DRAWING CONTAINS INFORMATION THAT IS PROPRIETARY TO MOLEX ELECTRONIC TECHNOLOGIES, LLC AND SHOULD NOT BE USED WITHOUT WRITTEN PERMISSION</p>	<p>DIMENSION UNITS</p> <p><b>mm</b></p>	<p>SCALE</p> <p><b>3.5:1</b></p>	<p>CURRENT REV DESC:</p>			<p><b>molex</b></p>			
	<p>GENERAL TOLERANCES (UNLESS SPECIFIED)</p>				<p>EC NO: 171650</p>					<p>MX150 BLADE DUAL ROW SEALED ASSEMBLY MAT SEAL</p>
	<p>ANGULAR TOL ± 1.0°</p>				<p>DRWN: PMANJUNATHAC 2018/01/03</p>			<p>PRODUCT CUSTOMER DRAWING</p>		
	<p>4 PLACES ±</p>				<p>CHK'D: MVANSLAMBROU 2018/02/16</p>			<p>DOCUMENT NUMBER</p>		
<p>3 PLACES ±</p>				<p>APPR: MVANSLAMBROU 2018/02/16</p>			<p>DOC TYPE   DOC PART   REVISION</p>			
<p>2 PLACES ± 0.1</p>				<p>INITIAL REVISION:</p>			<p>SD-33482-0001</p>			
<p>1 PLACE ± 0.2</p>				<p>DRWN: APROFFITT 2014/04/28</p>			<p>PSD 001 E2</p>			
<p>0 PLACES ±</p>				<p>APPR: VKOSHY 2014/05/14</p>			<p>CUSTOMER</p>			
<p>DRAFT WHERE APPLICABLE MUST REMAIN WITHIN DIMENSIONS</p>				<p>THIRD ANGLE PROJECTION</p>	<p>DRAWING</p> <p><b>A1-SIZE</b></p>	<p>SERIES</p> <p><b>33482</b></p>	<p>MATERIAL NUMBER</p>		<p>CUSTOMER</p> <p>GENERAL MARKET</p>	<p>SHEET NUMBER</p> <p>8 OF 11</p>



**SHEET DESCRIPTION**  
MOLEX BACKSHELL

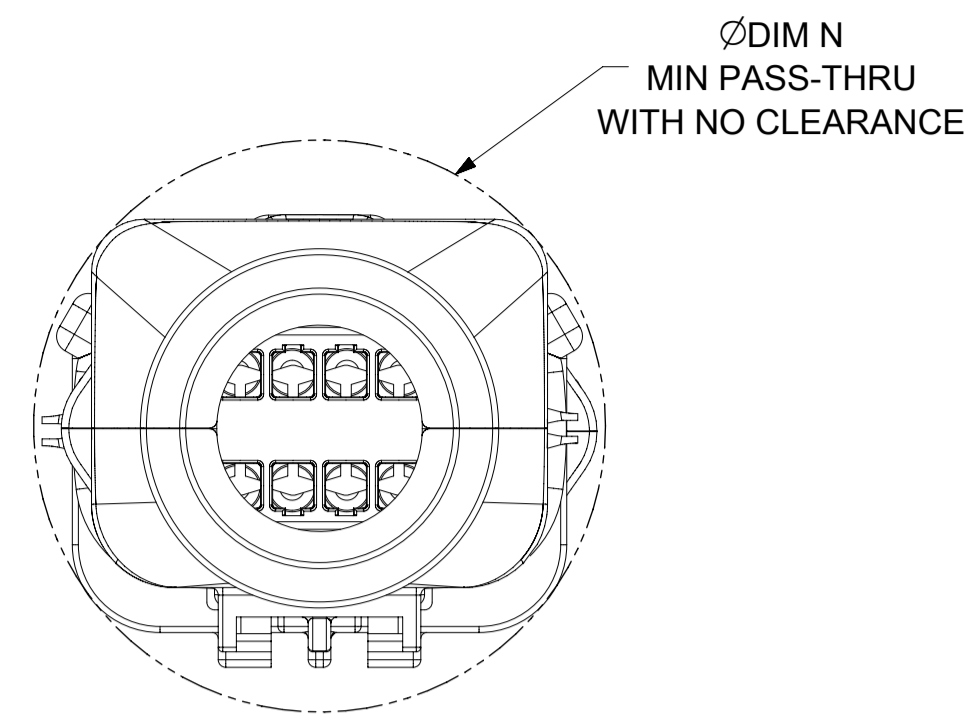
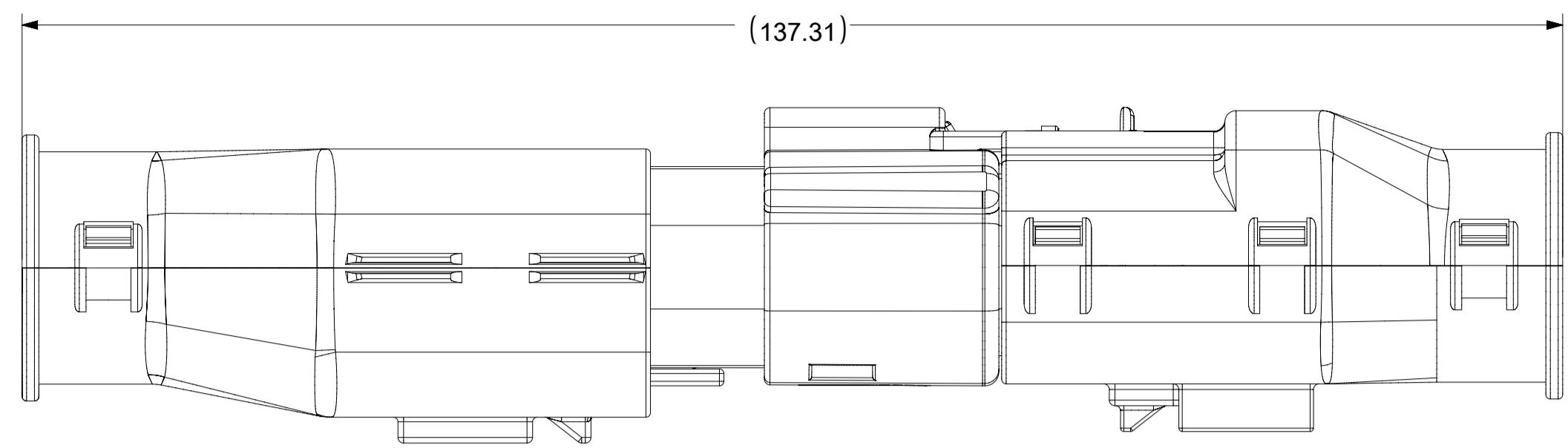


SECTION B-B

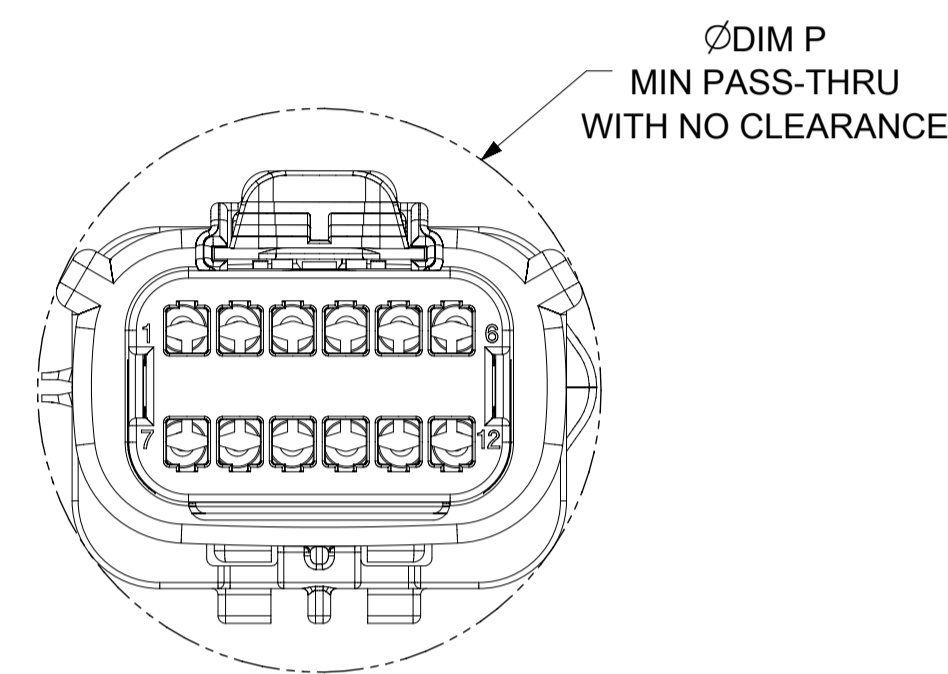
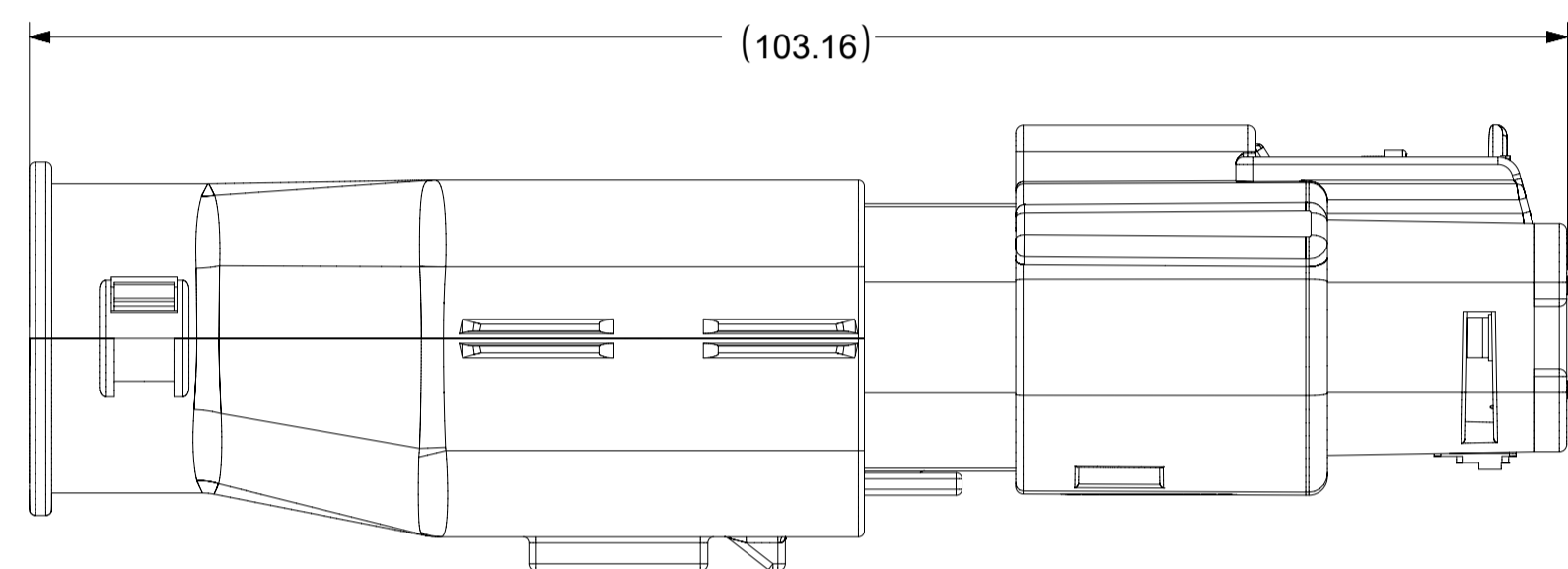
<b>SYMBOLS</b> = 0 = 0 = 0 = 0 = 0 = 0 = 0 = 0 = 0 = 0	THIS DRAWING CONTAINS INFORMATION THAT IS PROPRIETARY TO MOLEX ELECTRONIC TECHNOLOGIES, LLC AND SHOULD NOT BE USED WITHOUT WRITTEN PERMISSION		DIMENSION UNITS <b>mm</b>		SCALE <b>3:1</b>	CURRENT REV DESC: EC NO: 171650 DRWN: PMANJUNATHAC 2018/01/03 CHK'D: MVANSLAMBROU 2018/02/16 APPR: MVANSLAMBROU 2018/02/16			 MX150 BLADE DUAL ROW SEALED ASSEMBLY MAT SEAL						
	GENERAL TOLERANCES (UNLESS SPECIFIED)		ANGULAR TOL ± 1.0°		4 PLACES ± 3 PLACES ± 2 PLACES ± 0.1 1 PLACE ± 0.2			PRODUCT CUSTOMER DRAWING							
	DRAFT WHERE APPLICABLE MUST REMAIN WITHIN DIMENSIONS		THIRD ANGLE PROJECTION 		DRAWING <b>A1-SIZE</b>		SERIES <b>33482</b>		INITIAL REVISION: DRWN: APROFFITT 2014/04/28 APPR: VKOSHY 2014/05/14		DOCUMENT NUMBER <b>SD-33482-0001</b>		DOC TYPE <b>PSD</b>	DOC PART <b>001</b>	REVISION <b>E2</b>
	MATERIAL NUMBER <b>GENERAL MARKET</b>		CUSTOMER <b>GENERAL MARKET</b>		SHEET NUMBER <b>9 OF 11</b>										

**SHEET DESCRIPTION**  
SCHLEMMER BACKSHELL CONFIGURATIONS

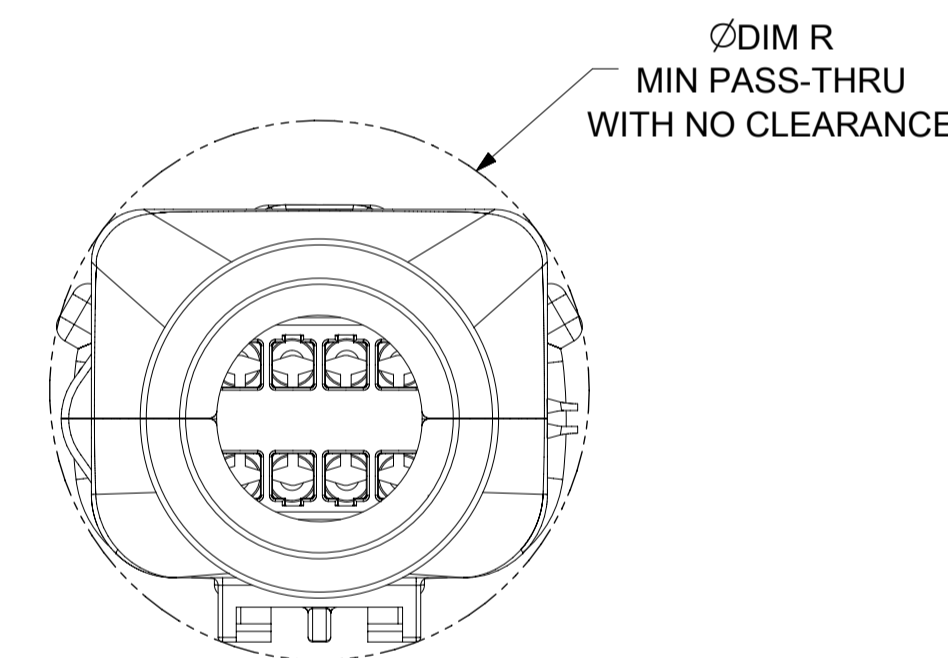
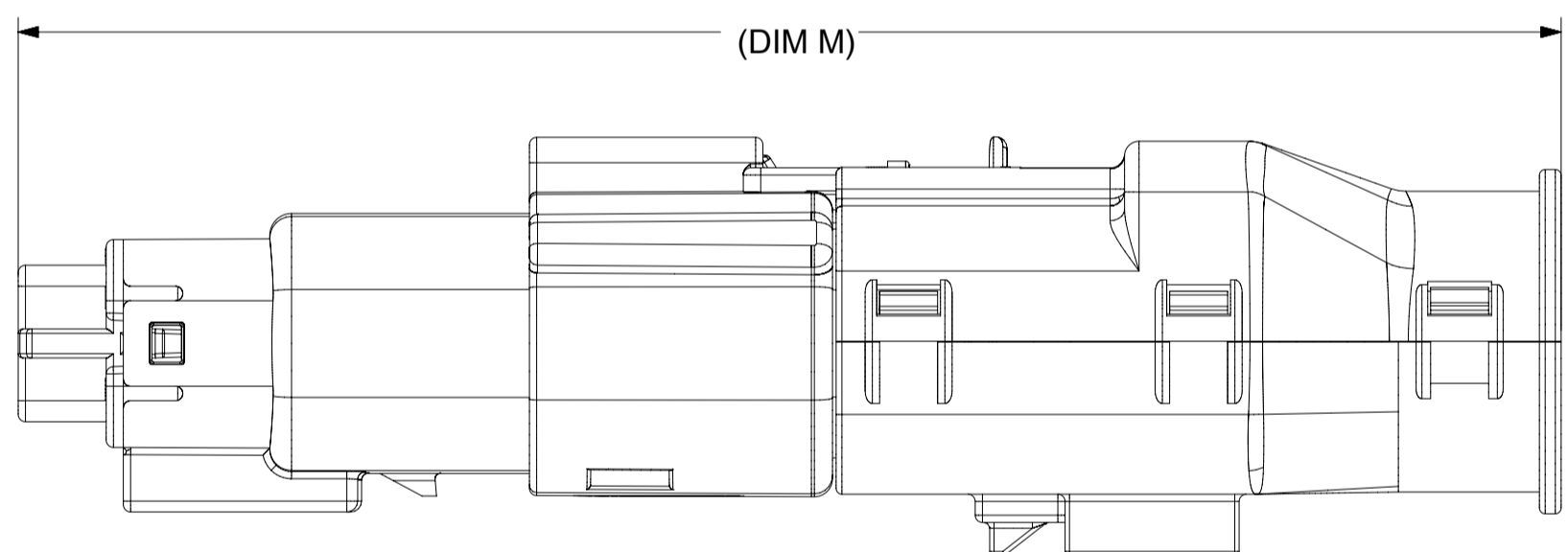
		CHARTED DIMENSIONS					
CKT	BLADE CONFIGURATION	RECEPTACLE CONFIGURATION	DIMENSIONS				
			M	N	P	R	T
2X3	STANDARD	STANDARD	106.83	32.75	31.75	29.00	29.50
	LENGTHENED		108.71				
2X4	STANDARD	STANDARD	106.83	33.50	31.90	30.70	30.70
2X6	STANDARD	STANDARD	106.83	37.84	37.27	35.83	36.83



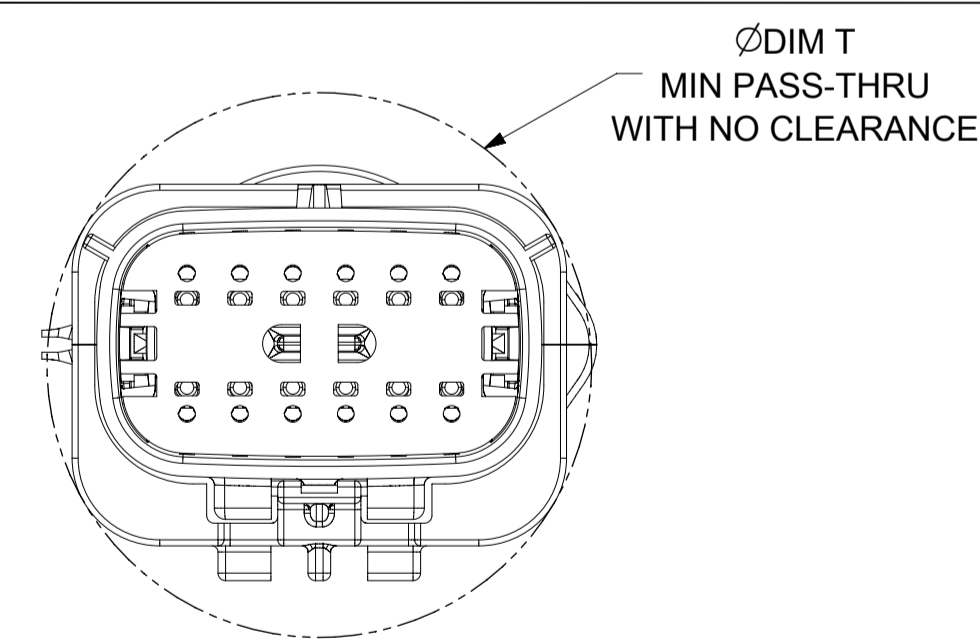
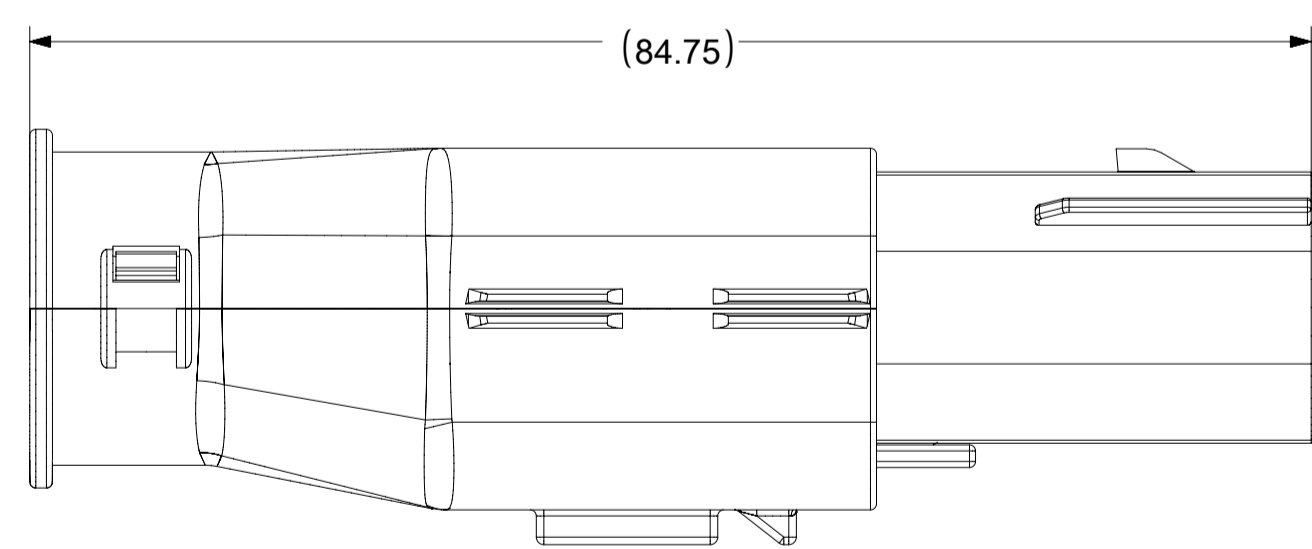
OVERALL MATED SYSTEM WITH BLADE AND RECEPTACLE BACKSHELL



OVERALL MATED SYSTEM WITH BLADE BACKSHELL



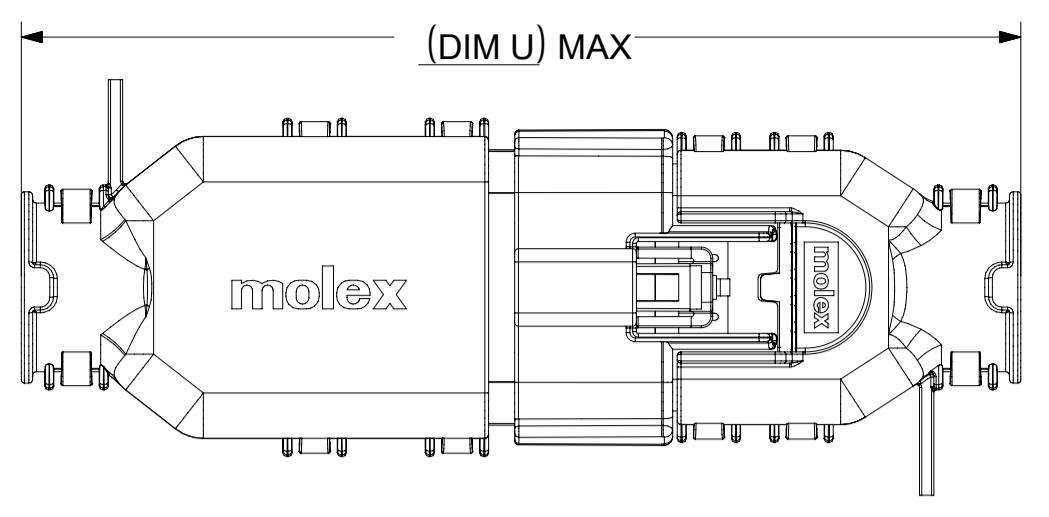
OVERALL MATED SYSTEM WITH RECEPTACLE BACKSHELL



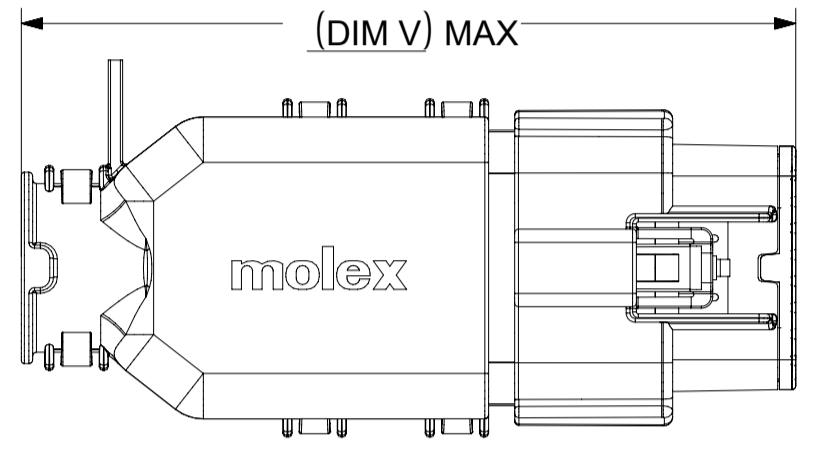
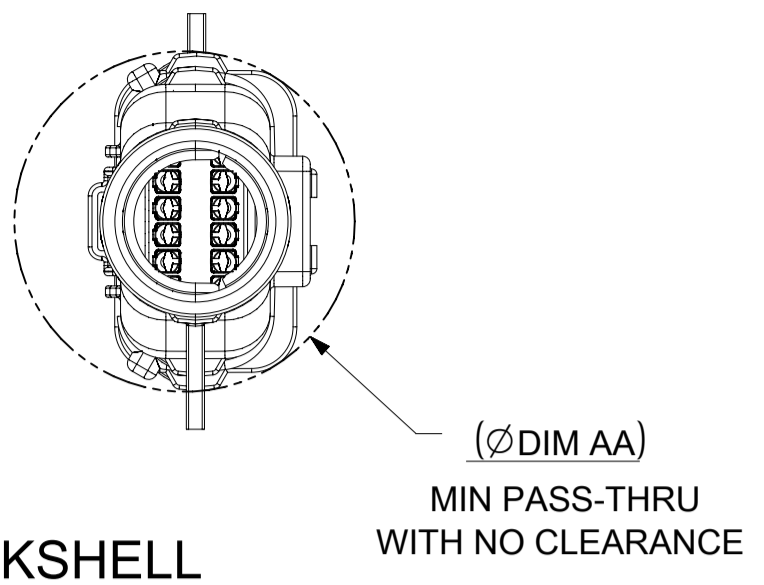
BLADE SEALED ASSEMBLY WITH BLADE BACKSHELL

<b>SYMBOLS</b> = 0 = 0 = 0 = 0 = 0 = 0 = 0 = 0	THIS DRAWING CONTAINS INFORMATION THAT IS PROPRIETARY TO MOLEX ELECTRONIC TECHNOLOGIES, LLC AND SHOULD NOT BE USED WITHOUT WRITTEN PERMISSION DIMENSION UNITS: <b>mm</b> SCALE: <b>2:1</b>	CURRENT REV DESC:  EC NO: 171650 DRWN: PMANJUNATHAC 2018/01/03 CHK'D: MVANSLAMBROU 2018/02/16 APPR: MVANSLAMBROU 2018/02/16			
	GENERAL TOLERANCES (UNLESS SPECIFIED) ANGULAR TOL ± 1.0°	INITIAL REVISION: DRWN: APROFFITT 2014/04/28 APPR: VKOSHY 2014/05/14	PRODUCT CUSTOMER DRAWING		
	4 PLACES ± 3 PLACES ± 2 PLACES ± 0.1 1 PLACE ± 0.2 0 PLACES ±	MATERIAL NUMBER: <b>SD-33482-0001</b> CUSTOMER: <b>GENERAL MARKET</b>	DOC TYPE: <b>PSD</b> DOC PART: <b>001</b> REVISION: <b>E2</b>		
	DRAFT WHERE APPLICABLE MUST REMAIN WITHIN DIMENSIONS	THIRD ANGLE PROJECTION 	DRAWING: <b>A1-SIZE</b> SERIES: <b>33482</b>	SHEET NUMBER: <b>10 OF 11</b>	

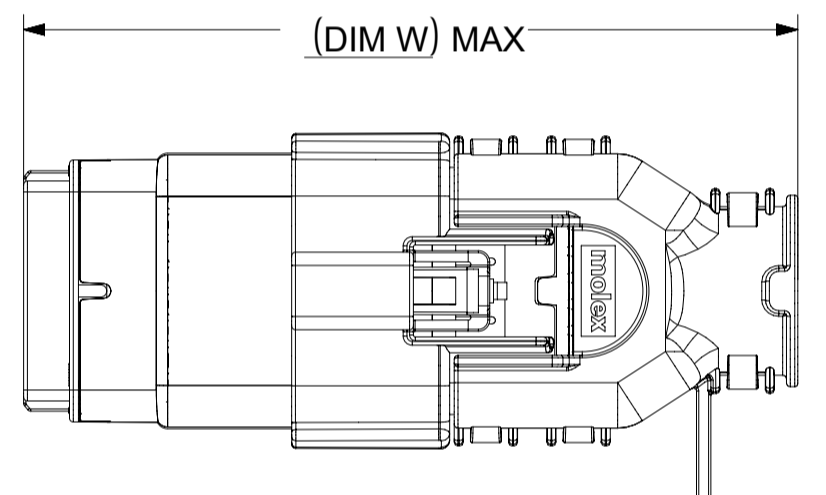
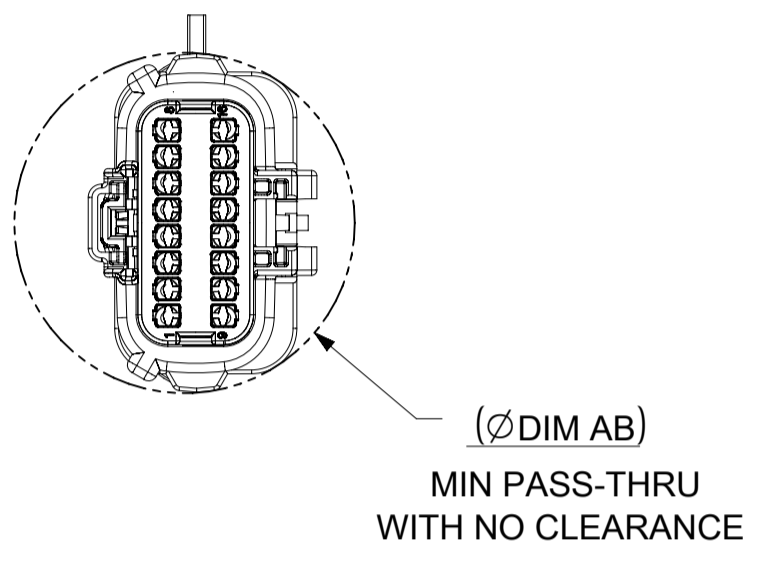
**SHEET DESCRIPTION**  
MOLEX BACKSHELL CONFIGURATIONS



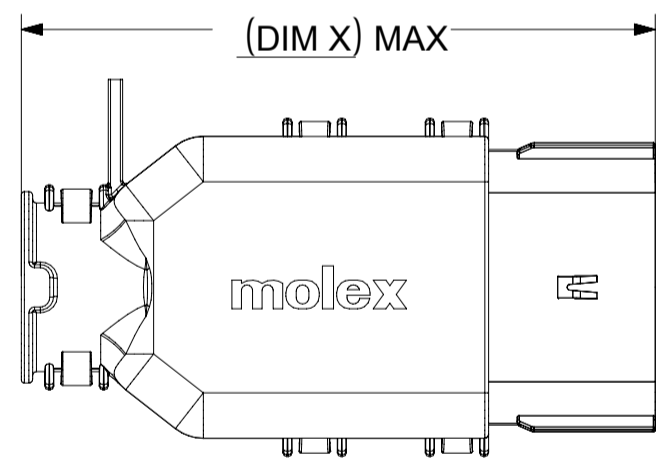
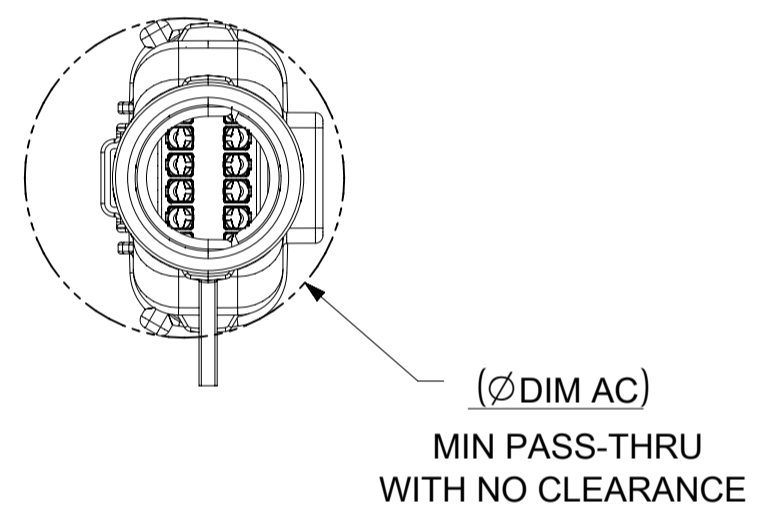
OVERALL MATED SYSTEM WITH BLADE AND RECEPTACLE BACKSHELL



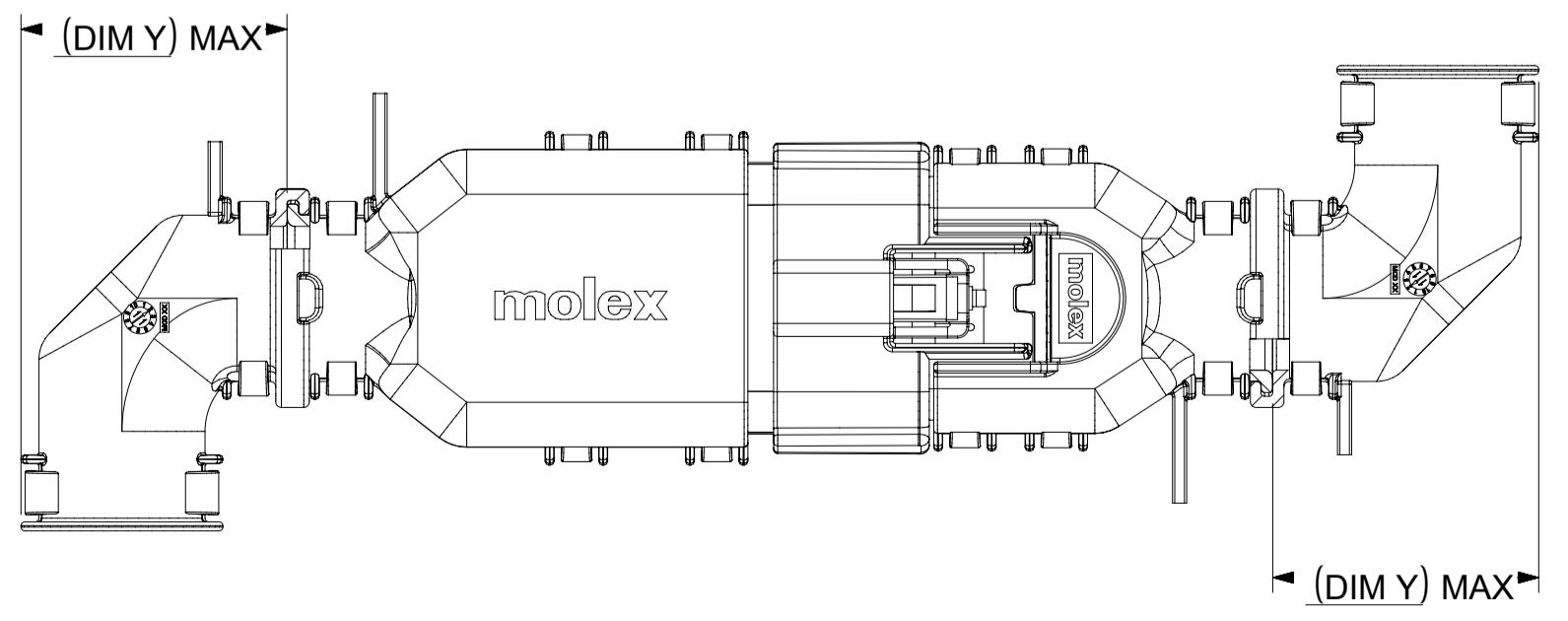
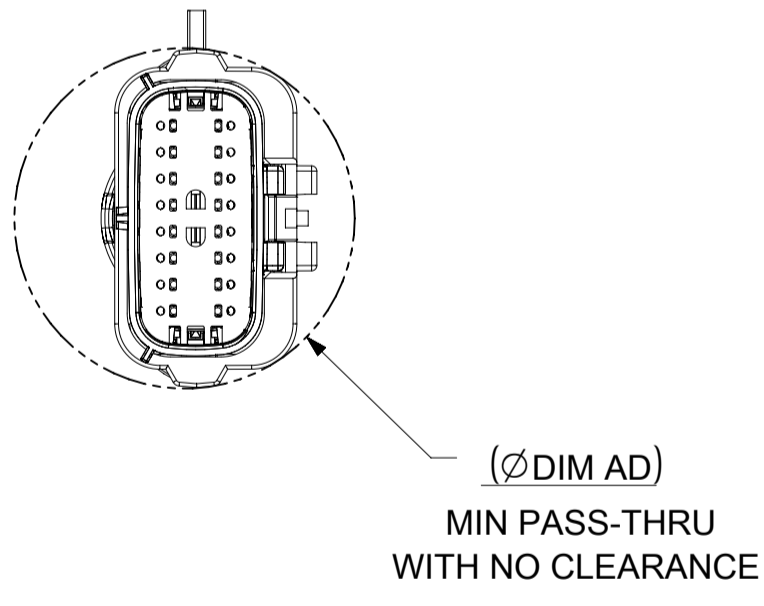
OVERALL MATED SYSTEM WITH BLADE BACKSHELL



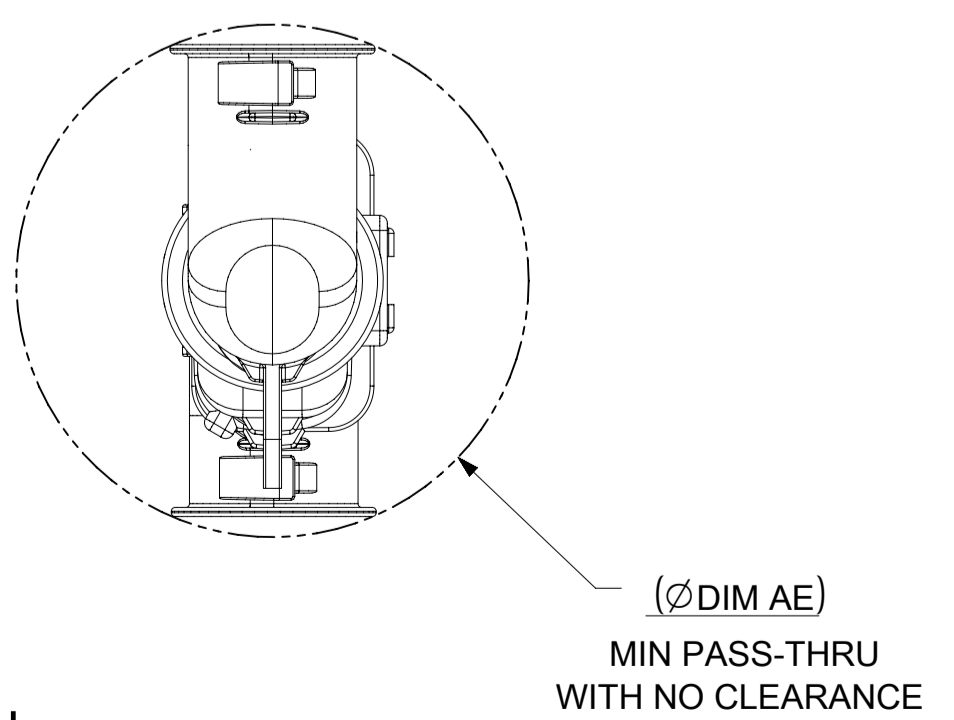
OVERALL MATED SYSTEM WITH RECEPTACLE BACKSHELL



BLADE SEALED ASSEMBLY WITH BLADE BACKSHELL



ADD THE VALUE OF 'Y' TO THE TOTAL DIMENSION WHENEVER ADAPTOR IS USED

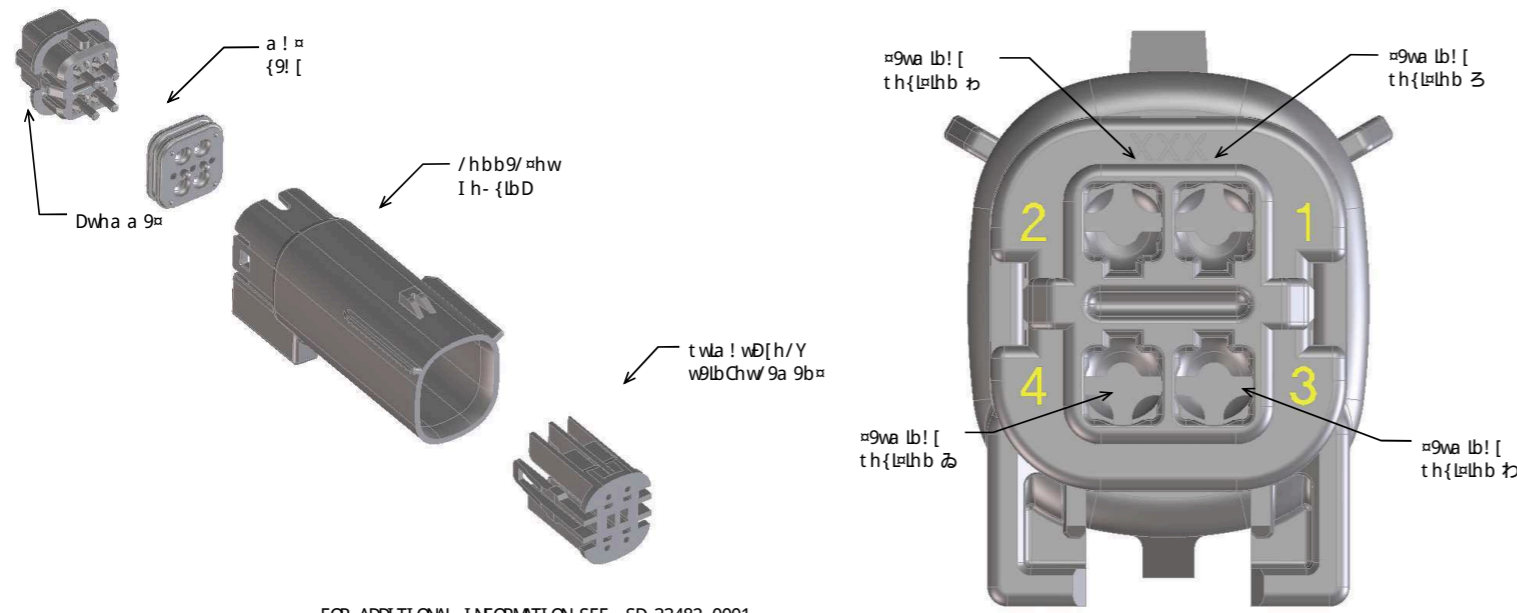


**CHARTED DIMENSIONS**

CKT	BLADE CONFIGURATION	RECEPTACLE CONFIGURATION	DIMENSIONS									
			U	V	W	X	Y	AA	AB	AC	AD	AE
2X4	STANDARD	STANDARD	115.24	94.36	93.93	75.62	32.10	32.93	32.54	32.85	31.76	56.81
2X8	STANDARD	STANDARD	132.49	102.81	102.73	84.07	36.10	45.44	45.44	42.65	45.44	68.18
2X10	STANDARD	STANDARD	132.49	102.81	102.73	84.07	36.10	45.44	45.44	42.65	45.44	68.18

<b>SYMBOLS</b>	THIS DRAWING CONTAINS INFORMATION THAT IS PROPRIETARY TO MOLEX ELECTRONIC TECHNOLOGIES, LLC AND SHOULD NOT BE USED WITHOUT WRITTEN PERMISSION		CURRENT REV DESC:	
	DIMENSION UNITS	SCALE		
$\nabla = 0$	mm	1:1	DRWN: PMANJUNATHAC 2018/01/03	MX150 BLADE DUAL ROW SEALED ASSEMBLY MAT SEAL
$\nabla = 0$	GENERAL TOLERANCES (UNLESS SPECIFIED)		CHK'D: MVANSLAMBROU 2018/02/16	
$\nabla = 0$	ANGULAR TOL ± 1.0°		APPR: MVANSLAMBROU 2018/02/16	
$\nabla = 0$	4 PLACES ±		INITIAL REVISION:	PRODUCT CUSTOMER DRAWING
$\nabla = 0$	3 PLACES ±		DRWN: APROFFITT 2014/04/28	DOCUMENT NUMBER
$\nabla = 0$	2 PLACES ± 0.1		APPR: VKOSHY 2014/05/14	SD-33482-0001
$\boxtimes = 0$	1 PLACE ± 0.2			DOC TYPE   DOC PART   REVISION
$\nabla = 0$	0 PLACES ±			PSD   001   E2
$\blacksquare = 0$	DRAFT WHERE APPLICABLE MUST REMAIN WITHIN DIMENSIONS	THIRD ANGLE PROJECTION	DRAWING	MATERIAL NUMBER
$\nabla = 0$			A1-SIZE	CUSTOMER
			SERIES	SHEET NUMBER
			33482	GENERAL MARKET
				11 OF 11

MX150 2X2 BLADE SEALED ASSEMBLY MAT SEAL  
BOM AND PIN OUT SHEET



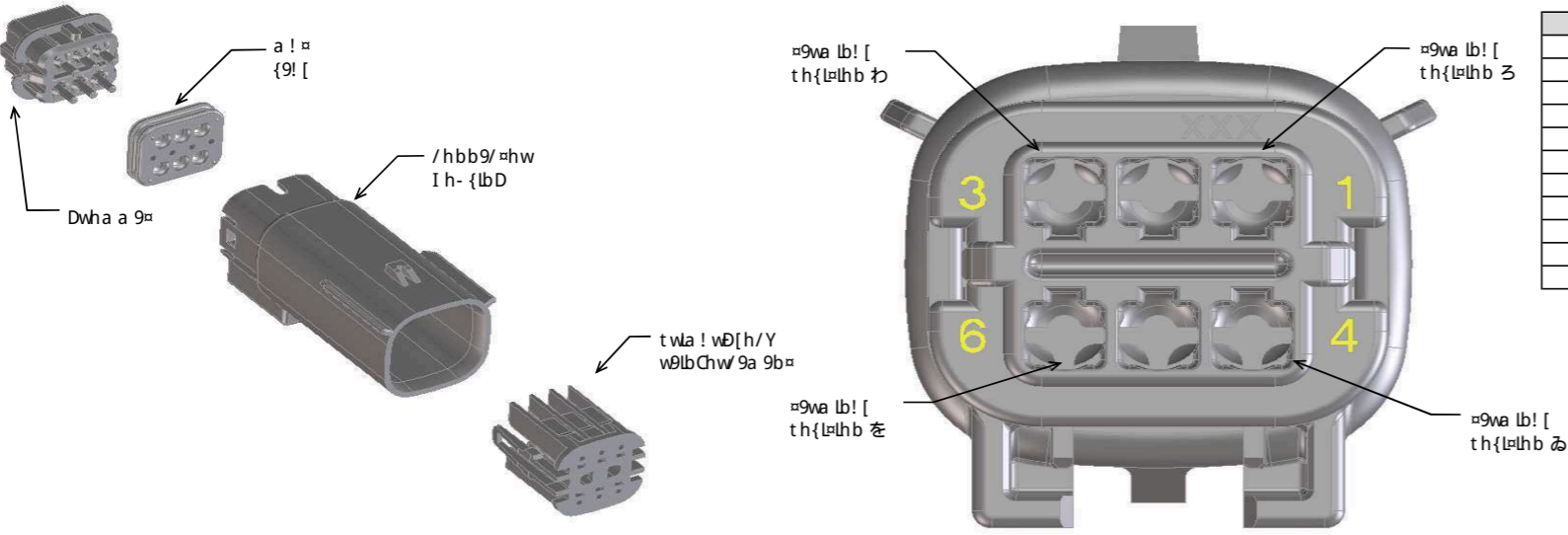
FOR ADDITIONAL INFORMATION SEE SD-33482-0001

ABBREVIATION	DESCRIPTION	COLOR	MATERIAL
A- BLK	HOUSING KEYING OPTION A	BLACK	SPS/NYLON GF20
B- LG	HOUSING KEYING OPTION B	LIGHT GRAY	SPS/NYLON GF20
C- BR	HOUSING KEYING OPTION C	BROWN	SPS/NYLON GF20
D- GR	HOUSING KEYING OPTION D	GREEN	SPS/NYLON GF20
C- DG	HOUSING KEYING OPTION C	DARK GRAY	SPS/NYLON GF20
D- SG	HOUSING KEYING OPTION D	STONE GRAY	SPS/NYLON GF20
A- YW	HOUSING KEYING OPTION A	YELLOW	SPS/NYLON GF20
GCP	GROMMET CAP ( PLUGGED)	BLACK	SPS/NYLON GF20
GCO	GROMMET CAP ( OPEN)	BLACK	SPS/NYLON GF20
PLR	PLR	NATURAL	SPS/NYLON GF20
M	MAT SEAL	ROYAL BLUE	INHERENTLY LUBRICATED SILICONE

ASSEMBLY DESCRIPTION	ASSEMBLY PART NUMBER	COMPONENT				BLOCKED TERMINALS												STATUS	COMMENTS	OPTIONAL ATTACHMENTS SOLD SEPARATELY					
		THE PRESENCE OF AN ABBREVIATION INDICATES THE PRESENCE OF THAT COMPONENT.						CAVITY WITH A NUMBER INDICATES BLOCKED TERMINAL POSITION CAVITY WITHOUT A NUMBER INDICATES OPEN TERMINAL POSITION												BACKSHELL WITH RIBS	BACKSHELL WITHOUT RIBS				
		HOUSING KEY/COLOR	GROMMET CAP	PLR	MAT SEAL	1	2	3	4																
KEY A, BLACK	33482-4001	A- BLK	GCO	PLR	M															SALEABLE					
KEY B, LIGHT GRAY	33482-4002	B- LG	GCO	PLR	M																SALEABLE				
KEY C, BROWN	33482-4003	C- BR	GCO	PLR	M																NOT RECOMMENDED	SEE 33482-4103			
KEY D, GREEN	33482-4004	D- GR	GCO	PLR	M																NOT RECOMMENDED	SEE 33482-4104			
KEY A, BLACK	33482-4006	A- BLK	GCP	PLR	M		2														SALEABLE				
KEY B, LIGHT GRAY	33482-4007	B- LG	GCP	PLR	M		2														SALEABLE				
KEY C, BROWN	33482-4008	C- BR	GCP	PLR	M		2														NOT RECOMMENDED	SEE 33482-4105			
KEY D, GREEN	33482-4009	D- GR	GCP	PLR	M		2														NOT RECOMMENDED	SEE 33482-4106			
KEY A, BLACK	33482-4011	A- BLK	GCP	PLR	M		2	3													SALEABLE				
KEY B, LIGHT GRAY	33482-4012	B- LG	GCP	PLR	M		2	3													SALEABLE				
KEY C, BROWN	33482-4013	C- BR	GCP	PLR	M		2	3													NOT RECOMMENDED	SEE 33482-4107			
KEY D, GREEN	33482-4014	D- GR	GCP	PLR	M		2	3													NOT RECOMMENDED	SEE 33482-4108			
KEY A, BLACK	33482-4016	A- BLK	GCP	PLR	M	1	2	3	4												SALEABLE				
KEY B, LIGHT GRAY	33482-4017	B- LG	GCP	PLR	M	1	2	3	4												SALEABLE				
KEY C, BROWN	33482-4018	C- BR	GCP	PLR	M	1	2	3	4												NOT RECOMMENDED	SEE 33482-4109			
KEY D, GREEN	33482-4019	D- GR	GCP	PLR	M	1	2	3	4												NOT RECOMMENDED	SEE 33482-4110			
KEY A, BLACK	33482-4021	A- BLK	GCP	PLR	M	1	2	3													SALEABLE				
KEY A, BLACK	33482-4022	A- BLK	GCP	PLR	M				4												SALEABLE				
KEY A, BLACK	33482-4023	A- BLK	GCP	PLR	M				3	4											SALEABLE				
KEY A, BLACK	33482-4024	A- BLK	GCP	PLR	M				3												SALEABLE				
KEY A, BLACK	33482-4025	A- BLK	GCP	PLR	M	1	2														SALEABLE				
KEY C, DARK GRAY	33482-4103	C- DG	GCO	PLR	M																SALEABLE				
KEY D, STONE GRAY	33482-4104	D- SG	GCO	PLR	M																SALEABLE				
KEY C, DARK GRAY	33482-4105	C- DG	GCP	PLR	M		2														SALEABLE				
KEY D, STONE GRAY	33482-4106	D- SG	GCP	PLR	M		2														SALEABLE				
KEY C, DARK GRAY	33482-4107	C- DG	GCP	PLR	M		2	3													SALEABLE				
KEY D, STONE GRAY	33482-4108	D- SG	GCP	PLR	M		2	3													SALEABLE				
KEY C, DARK GRAY	33482-4109	C- DG	GCP	PLR	M	1	2	3	4												SALEABLE				
KEY D, STONE GRAY	33482-4110	D- SG	GCP	PLR	M	1	2	3	4												SALEABLE				
KEY A, BLACK	33482-4111	A- BLK	GCP	PLR	M		2		4												SALEABLE				
KEY A, YELLOW	33482-4112	A- YW	GCO	PLR	M																SALEABLE				
KEY B, LIGHT GRAY	33482-4113	B- LG	GCP	PLR	M	1															SALEABLE				
KEY A, BLACK	33482-4115	A- BLK	GCP	PLR	M	1			3												SALEABLE				
KEY C, DARK GRAY	33482-4116	C- DG	GCP	PLR	M		2		4												SALEABLE				
KEY B, LIGHT GRAY	33482-4117	B- LG	GCP	PLR	M		2		4												SALEABLE				
KEY B, LIGHT GRAY	33482-4118	B- LG	GCP	PLR	M				4												SALEABLE				
KEY A, BLACK	33482-4119	A- BLK	GCP	PLR	M	1			4												SALEABLE				

# MK150 2X3 BLADE SEALED ASSEMBLY MAT SEAL BOM AND PIN OUT SHEET

ABBREVIATION	DESCRIPTION	COLOR	MATERIAL
A- BLK	HOUSING KEYING OPTION A	BLACK	SPS/NYLON GF20
B- LG	HOUSING KEYING OPTION B	LIGHT GRAY	SPS/NYLON GF20
C- BR	HOUSING KEYING OPTION C	BROWN	SPS/NYLON GF20
D- GR	HOUSING KEYING OPTION D	GREEN	SPS/NYLON GF20
C- DG	HOUSING KEYING OPTION C	DARK GRAY	SPS/NYLON GF20
D- SG	HOUSING KEYING OPTION D	STONE GRAY	SPS/NYLON GF20
A- YW	HOUSING KEYING OPTION A	YELLOW	SPS/NYLON GF20
GC	GROMMET CAP (STANDARD)	BLACK	SPS/NYLON GF20
GCL	GROMMET CAP (LENGTHENED)	BLACK	SPS/NYLON GF20
PLR	PLR	NATURAL	SPS/NYLON GF20
M	MAT SEAL	ROYAL BLUE	INHERENTLY LUBRICATED SILICONE



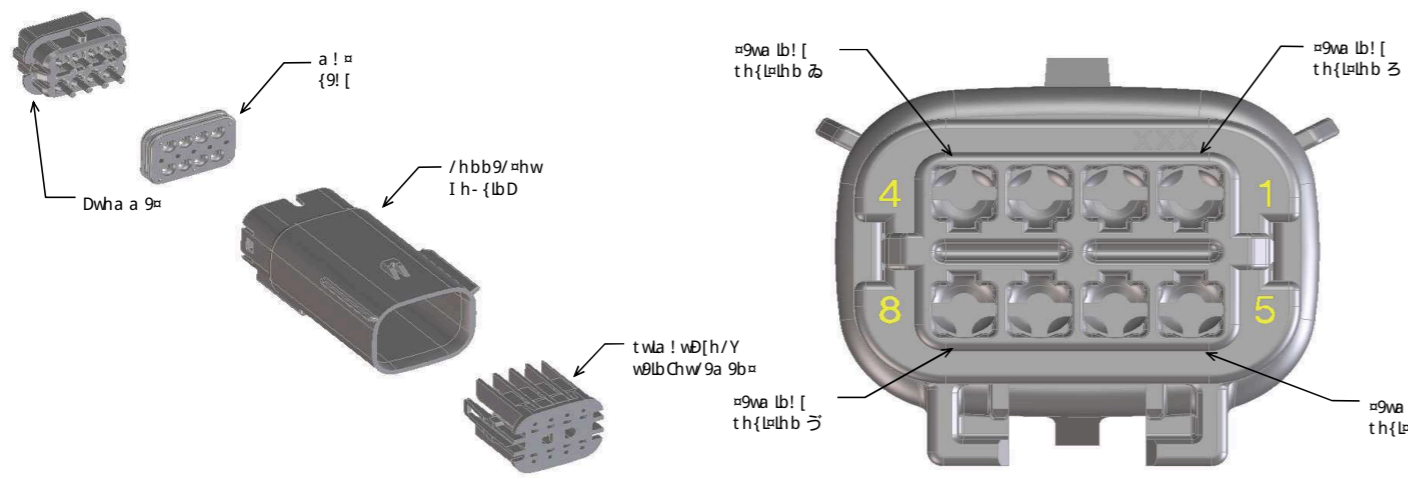
FOR ADDITIONAL INFORMATION SEE SD-33482-0001

ASSEMBLY DESCRIPTION	ASSEMBLY PART NUMBER	COMPONENT				BLOCKED TERMINALS														STATUS	COMMENTS	OPTIONAL ATTACHMENTS SOLD SEPERATELY			
		THE PRESENCE OF AN ABBREVIATION INDICATES THE PRESENCE OF THAT COMPONENT.						CAVITY WITH A NUMBER INDICATES BLOCKED TERMINAL POSITION CAVITY WITHOUT A NUMBER INDICATES OPEN TERMINAL POSITION														BACKSHELL WITH RIBS	BACKSHELL WITHOUT RIBS		
		HOUSING KEY/COLOR	GROMMET CAP	PLR	MAT SEAL	1	2	3	4	5	6														
KEY A, BLACK	33482-3601	A- BLK	GC	PLR	M														SALEABLE		34950-0610	34950-0620			
KEY B, LIGHT GRAY	33482-3602	B- LG	GC	PLR	M														SALEABLE		34950-0610	34950-0620			
KEY C, BROWN	33482-3603	C- BR	GC	PLR	M														NOT RECOMMENDED	SEE 33482-3628	34950-0610	34950-0620			
KEY D, GREEN	33482-3604	D- GR	GC	PLR	M														NOT RECOMMENDED	SEE 33482-3629	34950-0610	34950-0620			
VOID KEY	33482-3605																								
KEY A, BLACK	33482-3606	A- BLK	GC	PLR	M						3								SALEABLE		34950-0610	34950-0620			
KEY B, LIGHT GRAY	33482-3607	B- LG	GC	PLR	M						3								SALEABLE		34950-0610	34950-0620			
KEY C, BROWN	33482-3608	C- BR	GC	PLR	M						3								NOT RECOMMENDED	SEE 33482-3638	34950-0610	34950-0620			
KEY D, GREEN	33482-3609	D- GR	GC	PLR	M						3								NOT RECOMMENDED	SEE 33482-3641	34950-0610	34950-0620			
VOID KEY	33482-3610																								
KEY A, BLACK	33482-3611	A- BLK	GC	PLR	M						3	4							SALEABLE		34950-0610	34950-0620			
KEY B, LIGHT GRAY	33482-3612	B- LG	GC	PLR	M						3	4							SALEABLE		34950-0610	34950-0620			
KEY C, BROWN	33482-3613	C- BR	GC	PLR	M						3	4							NOT RECOMMENDED	SEE 33482-3642	34950-0610	34950-0620			
KEY D, GREEN	33482-3614	D- GR	GC	PLR	M						3	4							NOT RECOMMENDED	SEE 33482-3643	34950-0610	34950-0620			
VOID KEY	33482-3615																								
KEY A, BLACK	33482-3616	A- BLK	GC	PLR	M						3								SALEABLE		34950-0610	34950-0620			
KEY A, BLACK	33482-3617	A- BLK	GC	PLR	M						2								SALEABLE		34950-0610	34950-0620			
KEY A, BLACK	33482-3618	A- BLK	GC	PLR	M											5	6		SALEABLE		34950-0610	34950-0620			
KEY A, BLACK	33482-3619	A- BLK	GC	PLR	M						2	3	4	5					SALEABLE		34950-0610	34950-0620			
KEY A, BLACK	33482-3620	A- BLK	GC	PLR	M						1	2	3	4	5	6			SALEABLE		34950-0610	34950-0620			
KEY A, BLACK	33482-3621	A- BLK	GC	PLR	M						1								SALEABLE		34950-0610	34950-0620			
KEY A, BLACK	33482-3622	A- BLK	GC	PLR	M								4	5	6				SALEABLE		34950-0610	34950-0620			
KEY A, BLACK	33482-3623	A- BLK	GC	PLR	M									5					SALEABLE		34950-0610	34950-0620			
KEY A, BLACK	33482-3624	A- BLK	GC	PLR	M														SALEABLE		34950-0610	34950-0620			
KEY B, LIGHT GRAY	33482-3625	B- LG	GC	PLR	M						1					5			SALEABLE		34950-0610	34950-0620			
KEY A, BLACK	33482-3626	A- BLK	GC	PLR	M						1	2	3	4					SALEABLE		34950-0610	34950-0620			
KEY A, BLACK	33482-3627	A- BLK	GC	PLR	M							2	3			5	6		SALEABLE		34950-0610	34950-0620			
KEY C, DARK GRAY	33482-3628	C- DG	GC	PLR	M														SALEABLE		34950-0610	34950-0620			
KEY D, STONE GRAY	33482-3629	D- SG	GC	PLR	M														SALEABLE		34950-0610	34950-0620			
KEY A, BLACK	33482-3630	A- BLK	GC	PLR	M														SALEABLE		34950-0610	34950-0620			
KEY A, BLACK	33482-3631	A- BLK	GCL	PLR	M														SALEABLE		34950-0610	34950-0620			
KEY B, LIGHT GRAY	33482-3632	B- LG	GCL	PLR	M														SALEABLE		34950-0610	34950-0620			
KEY C, DARK GRAY	33482-3633	C- DG	GCL	PLR	M														SALEABLE		34950-0610	34950-0620			
KEY D, STONE GRAY	33482-3634	D- SG	GCL	PLR	M														SALEABLE		34950-0610	34950-0620			
KEY C, DARK GRAY	33482-3635	C- DG	GCL	PLR	M								3						SALEABLE		34950-0610	34950-0620			
KEY A, BLACK	33482-3636	A- BLK	GCL	PLR	M								3						SALEABLE		34950-0610	34950-0620			
KEY A, BLACK	33482-3637	A- BLK	GC	PLR	M														SALEABLE		34950-0610	34950-0620			
KEY C, DARK GRAY	33482-3638	C- DG	GC	PLR	M														SALEABLE		34950-0610	34950-0620			
KEY A, BLACK	33482-3639	A- BLK	GCL	PLR	M						1	2	3	4	5	6			SALEABLE		34950-0610	34950-0620			
KEY A, BLACK	33482-3640	A- BLK	GC	PLR	M														SALEABLE		34950-0610	34950-0620			
KEY D, STONE GRAY	33482-3641	D- SG	GC	PLR	M														SALEABLE		34950-0610	34950-0620			
KEY C, DARK GRAY	33482-3642	C- DG	GC	PLR	M														SALEABLE		34950-0610	34950-0620			
KEY D, STONE GRAY	33482-3643	D- SG	GC	PLR	M														SALEABLE		34950-0610	34950-0620			
KEY A, YELLOW	33482-3644	A- YW	GC	PLR	M														SALEABLE		34950-0610	34950-0620			
KEY A, BLACK	33482-3645	A- BLK	GC	PLR	M														SALEABLE		34950-0610	34950-0620			
KEY A, BLACK	33482-3646	A- BLK	GC	PLR	M								2	3					SALEABLE		34950-0610	34950-0620			
KEY B, LIGHT GRAY	33482-3647	B- LG	GC	PLR	M								2	3					SALEABLE		34950-0610	34950-0620			
KEY C, DARK GRAY	33482-3648	C- DG	GC	PLR	M														SALEABLE		34950-0610	34950-0620			
KEY A, BLACK	33482-3649	A- BLK	GC	PLR	M														SALEABLE		34950-0610	34950-0620			

**MX150 2X3 BLADE SEALED ASSEMBLY MAT SEAL  
BOM AND PIN OUT SHEET**

ASSEMBLY DESCRIPTION	ASSEMBLY PART NUMBER	COMPONENT				BLOCKED TERMINALS											STATUS	COMMENTS	OPTIONAL ATTACHMENTS SOLD SEPERATELY	
		THE PRESENCE OF AN ABBREVIATION INDICATES THE PRESENCE OF THAT COMPONENT.				CAVITY WITH A NUMBER INDICATES BLOCKED TERMINAL POSITION CAVITY WITHOUT A NUMBER INDICATES OPEN TERMINAL POSITION													BACKSHELL WITH RIBS	BACKSHELL WITHOUT RIBS
		HOUSING KEY/COLOR	GROMMET CAP	PLR	MAT SEAL	1	2	3	4	5	6									
KEY A, BLACK	33482-3650	A- BLK	GC	PLR	M	1		3		5							SALEABLE		34950-0610	34950-0620
KEY A, BLACK	33482-3651	A- BLK	GC	PLR	M		2		4		6						SALEABLE		34950-0610	34950-0620
KEY A, BLACK	33482-3652	A- BLK	GC	PLR	M	1					6						SALEABLE		34950-0610	34950-0620
KEY A, BLACK	33482-3653	A- BLK	GC	PLR	M		2			5							SALEABLE		34950-0610	34950-0620
KEY A, BLACK	33482-3654	A- BLK	GC	PLR	M	1		3	4								SALEABLE		34950-0610	34950-0620
KEY A, BLACK	33482-3655	A- BLK	GC	PLR	M	1	2	3		5	6						SALEABLE		34950-0610	34950-0620
KEY A, BLACK	33482-3656	A- BLK	GC	PLR	M	1	2	3									SALEABLE		34950-0610	34950-0620
KEY A, BLACK	33482-3657	A- BLK	GC	PLR	M				4	5							SALEABLE		34950-0610	34950-0620
KEY A, BLACK	33482-3658	A- BLK	GC	PLR	M	1											SALEABLE		34950-0610	34950-0620
KEY B, LIGHT GRAY	33482-3659	B- LG	GC	PLR	M	1											SALEABLE		34950-0610	34950-0620
KEY B, LIGHT GRAY	33482-3660	B- LG	GC	PLR	M					5							SALEABLE		34950-0610	34950-0620

NK150 2X4 BLADE SEALED ASSEMBLY MAT SEAL  
BCM AND PIN OUT SHEET



FOR ADDITIONAL INFORMATION SEE SD-33482-0001

ABBREVIATION	DESCRIPTION	COLOR	MATERIAL
A- BLK	HOUSING KEYING OPTION A	BLACK	SPS/NYLON GF20
B- LG	HOUSING KEYING OPTION B	LIGHT GRAY	SPS/NYLON GF20
C- BR	HOUSING KEYING OPTION C	BROWN	SPS/NYLON GF20
D- GR	HOUSING KEYING OPTION D	GREEN	SPS/NYLON GF20
C- DG	HOUSING KEYING OPTION C	DARK GRAY	SPS/NYLON GF20
D- SG	HOUSING KEYING OPTION D	STONE GRAY	SPS/NYLON GF20
A- YW	HOUSING KEYING OPTION A	YELLOW	SPS/NYLON GF20
GCP	GROMMET CAP ( PLUGGED)	BLACK	SPS/NYLON GF20
GCO	GROMMET CAP ( OPEN)	BLACK	SPS/NYLON GF20
PLR	PLR	NATURAL	SPS/NYLON GF20
MR	MAT SEAL	RUST RED	INHERENTLY LUBRICATED SILICONE
MB	MAT SEAL	ROYAL BLUE	INHERENTLY LUBRICATED SILICONE

ASSEMBLY DESCRIPTION	ASSEMBLY PART NUMBER	COMPONENT				BLOCKED TERMINALS								STATUS	COMMENTS	OPTIONAL ATTACHMENTS SOLD SEPARATELY						
		THE PRESENCE OF AN ABBREVIATION INDICATES THE PRESENCE OF THAT COMPONENT.				CAVITY WITH A NUMBER INDICATES BLOCKED TERMINAL POSITION CAVITY WITHOUT A NUMBER INDICATES OPEN TERMINAL POSITION										BACKSHELL WITH RIBS	BACKSHELL WITHOUT RIBS	90-! 51 t=hw ° l=I vL {	90L ADAPTOR WITHOUT RIBS			
		HOUSING KEY/COLOR	GROMMET CAP	PLR	MAT SEAL	1	2	3	4	5	6	7	8									
KEY A, BLACK	33482-0801	A- BLK	GCO	PLR	MR											PLANNED OBSOLESCE	SEE 33482-4801	34950-0811	34950-0821	34951-0831	34951-0841	
KEY B, LIGHT GRAY	33482-0802	B- LG	GCO	PLR	MR											PLANNED OBSOLESCE	SEE 33482-4802	34950-0811	34950-0821	34951-0831	34951-0841	
KEY C, BROWN	33482-0803	C- BR	GCO	PLR	MR											PLANNED OBSOLESCE	SEE 33482-4803	34950-0811	34950-0821	34951-0831	34951-0841	
KEY D, GREEN	33482-0804	D- GR	GCO	PLR	MR											PLANNED OBSOLESCE	SEE 33482-4804	34950-0811	34950-0821	34951-0831	34951-0841	
VQI D KEY	33482-0805																					
KEY A, BLACK	33482-0806	A- BLK	GCP	PLR	MR				4							PLANNED OBSOLESCE	SEE 33482-4806	34950-0811	34950-0821	34951-0831	34951-0841	
KEY B, LIGHT GRAY	33482-0807	B- LG	GCP	PLR	MR				4							PLANNED OBSOLESCE	SEE 33482-4807	34950-0811	34950-0821	34951-0831	34951-0841	
KEY C, BROWN	33482-0808	C- BR	GCP	PLR	MR				4							PLANNED OBSOLESCE	SEE 33482-4808	34950-0811	34950-0821	34951-0831	34951-0841	
KEY D, GREEN	33482-0809	D- GR	GCP	PLR	MR				4							PLANNED OBSOLESCE	SEE 33482-4809	34950-0811	34950-0821	34951-0831	34951-0841	
VQI D KEY	33482-0810																					
KEY A, BLACK	33482-0811	A- BLK	GCP	PLR	MR				4	5						PLANNED OBSOLESCE	SEE 33482-4811	34950-0811	34950-0821	34951-0831	34951-0841	
KEY B, LIGHT GRAY	33482-0812	B- LG	GCP	PLR	MR				4	5						PLANNED OBSOLESCE	SEE 33482-4812	34950-0811	34950-0821	34951-0831	34951-0841	
KEY C, BROWN	33482-0813	C- BR	GCP	PLR	MR				4	5						PLANNED OBSOLESCE	SEE 33482-4813	34950-0811	34950-0821	34951-0831	34951-0841	
KEY D, GREEN	33482-0814	D- GR	GCP	PLR	MR				4	5						PLANNED OBSOLESCE	SEE 33482-4814	34950-0811	34950-0821	34951-0831	34951-0841	
VQI D KEY	33482-0815																					
KEY A, BLACK	33482-0816	A- BLK	GCP	PLR	MR	1			4	5						PLANNED OBSOLESCE	SEE 33482-4816	34950-0811	34950-0821	34951-0831	34951-0841	
KEY B, LIGHT GRAY	33482-0817	B- LG	GCP	PLR	MR	1			4	5						PLANNED OBSOLESCE	SEE 33482-4817	34950-0811	34950-0821	34951-0831	34951-0841	
KEY C, BROWN	33482-0818	C- BR	GCP	PLR	MR	1			4	5						PLANNED OBSOLESCE	SEE 33482-4818	34950-0811	34950-0821	34951-0831	34951-0841	
KEY D, GREEN	33482-0819	D- GR	GCP	PLR	MR	1			4	5						PLANNED OBSOLESCE	SEE 33482-4819	34950-0811	34950-0821	34951-0831	34951-0841	
VQI D KEY	33482-0820																					
KEY A, BLACK	33482-0821	A- BLK	GCP	PLR	MR	1			4	5			8			PLANNED OBSOLESCE	SEE 33482-4821	34950-0811	34950-0821	34951-0831	34951-0841	
KEY B, LIGHT GRAY	33482-0822	B- LG	GCP	PLR	MR	1			4	5			8			PLANNED OBSOLESCE	SEE 33482-4822	34950-0811	34950-0821	34951-0831	34951-0841	
KEY C, BROWN	33482-0823	C- BR	GCP	PLR	MR	1			4	5			8			PLANNED OBSOLESCE	SEE 33482-4823	34950-0811	34950-0821	34951-0831	34951-0841	
KEY D, GREEN	33482-0824	D- GR	GCP	PLR	MR	1			4	5			8			PLANNED OBSOLESCE	SEE 33482-4824	34950-0811	34950-0821	34951-0831	34951-0841	
VQI D KEY	33482-0825																					
KEY A, BLACK	33482-0826	A- BLK	GCP	PLR	MR	1	2	3					6	7	8	PLANNED OBSOLESCE	SEE 33482-4826	34950-0811	34950-0821	34951-0831	34951-0841	
KEY A, BLACK	33482-0827	A- BLK	GCP	PLR	MR										8	PLANNED OBSOLESCE	SEE 33482-4827	34950-0811	34950-0821	34951-0831	34951-0841	
KEY A, BLACK	33482-0828	A- BLK	GCP	PLR	MR			3				5				PLANNED OBSOLESCE	SEE 33482-4828	34950-0811	34950-0821	34951-0831	34951-0841	
KEY A, BLACK	33482-0829	A- BLK	GCP	PLR	MR		2	3	4	5	6	7				PLANNED OBSOLESCE	SEE 33482-4829	34950-0811	34950-0821	34951-0831	34951-0841	
KEY A, BLACK	33482-0830	A- BLK	GCP	PLR	MR							6				PLANNED OBSOLESCE	SEE 33482-4830	34950-0811	34950-0821	34951-0831	34951-0841	
KEY A, BLACK	33482-0831	A- BLK	GCP	PLR	MR			3				5	6			PLANNED OBSOLESCE	SEE 33482-4831	34950-0811	34950-0821	34951-0831	34951-0841	
KEY A, BLACK	33482-0832	A- BLK	GCP	PLR	MR							5	6	8		PLANNED OBSOLESCE	SEE 33482-4832	34950-0811	34950-0821	34951-0831	34951-0841	
KEY A, BLACK	33482-0833	A- BLK	GCP	PLR	MR	1		3				5				PLANNED OBSOLESCE	SEE 33482-4833	34950-0811	34950-0821	34951-0831	34951-0841	
KEY A, BLACK	33482-0834	A- BLK	GCP	PLR	MR	1	2	3	4	5	6	7	8			PLANNED OBSOLESCE	SEE 33482-4834	34950-0811	34950-0821	34951-0831	34951-0841	
KEY A, BLACK	33482-0835	A- BLK	GCP	PLR	MR									7	8	PLANNED OBSOLESCE	SEE 33482-4835	34950-0811	34950-0821	34951-0831	34951-0841	
KEY A, BLACK	33482-0836	A- BLK	GCP	PLR	MR		2	3					6	7	8	PLANNED OBSOLESCE	SEE 33482-4836	34950-0811	34950-0821	34951-0831	34951-0841	
KEY A, BLACK	33482-0837	A- BLK	GCP	PLR	MR	1			4							PLANNED OBSOLESCE	SEE 33482-4837	34950-0811	34950-0821	34951-0831	34951-0841	
KEY A, BLACK	33482-0838	A- BLK	GCP	PLR	MR		2	3		5	6	7	8			PLANNED OBSOLESCE	SEE 33482-4838	34950-0811	34950-0821	34951-0831	34951-0841	
KEY B, LIGHT GRAY	33482-0839	B- LG	GCP	PLR	MR									8		PLANNED OBSOLESCE	SEE 33482-4839	34950-0811	34950-0821	34951-0831	34951-0841	
KEY A, BLACK	33482-0840	A- BLK	GCP	PLR	MR		2	3				5	6		8	PLANNED OBSOLESCE	SEE 33482-4840	34950-0811	34950-0821	34951-0831	34951-0841	
KEY A, BLACK	33482-0841	A- BLK	GCP	PLR	MR								6	7		PLANNED OBSOLESCE	SEE 33482-4841	34950-0811	34950-0821	34951-0831	34951-0841	
KEY A, BLACK	33482-0842	A- BLK	GCP	PLR	MR									7		PLANNED OBSOLESCE	SEE 33482-4842	34950-0811	34950-0821	34951-0831	34951-0841	
KEY A, BLACK	33482-0843	A- BLK	GCP	PLR	MR					4				7		PLANNED OBSOLESCE	SEE 33482-4843	34950-0811	34950-0821	34951-0831	34951-0841	
KEY A, BLACK	33482-0844	A- BLK	GCP	PLR	MR				3				6			PLANNED OBSOLESCE	SEE 33482-4844	34950-0811	34950-0821	34951-0831	34951-0841	
KEY A, BLACK	33482-0845	A- BLK	GCP	PLR	MR		2	3	4	5	6			7	8	PLANNED OBSOLESCE	SEE 33482-4845	34950-0811	34950-0821	34951-0831	34951-0841	
KEY A, BLACK	33482-0846	A- BLK	GCP	PLR	MR					4	5					PLANNED OBSOLESCE	SEE 33482-4846	34950-0811	34950-0821	34951-0831	34951-0841	
KEY B, LIGHT GRAY	33482-0847	B- LG	GCP	PLR	MR	1	2	3	4	5	6	7	8			PLANNED OBSOLESCE	SEE 33482-4847	34950-0811	34950-0821	34951-0831	34951-0841	
KEY A, BLACK	33482-0848	A- BLK	GCP	PLR	MR	1							5			PLANNED OBSOLESCE	SEE 33482-4848	34950-0811	34950-0821	34951-0831	34951-0841	
KEY B, LIGHT GRAY	33482-0849	B- LG	GCP	PLR	MR	1								6		PLANNED OBSOLESCE	SEE 33482-4849	34950-0811	34950-0821	34951-0831	34951-0841	
KEY A, YELLOW	33482-0850	A- YW	GCP	PLR	MR	1				4						PLANNED OBSOLESCE	SEE 33482-4850	34950-0811	34950-0821	34951-0831	34951-0841	
KEY A, YELLOW	33482-0851	A- YW	GCO	PLR	MR											PLANNED OBSOLESCE	SEE 33482-4851	34950-0811	34950-0821	34951-0831	34951-0841	
KEY C, DARK GRAY	33482-0852	C- DG	GCO	PLR	MR											PLANNED OBSOLESCE	SEE 33482-4852	34950-0811	34950-0821	34951-0831	34951-0841	
KEY D, STONE GRAY	33482-0853	D- SG	GCO	PLR	MR											PLANNED OBSOLESCE	SEE 33482-4853	34950-0811	34950-0821	34951-0831	34951-0841	
KEY A, BLACK	33482-0854	A- BLK	GCP	PLR	MR	1	2	3	4							PLANNED OBSOLESCE	SEE 33482-4854	34950-0811	34950-0821	34951-0831	34951-0841	
KEY A, BLACK	33482-0855	A- BLK	GCP	PLR	MR	1	2						5	6	7	8	PLANNED OBSOLESCE	SEE 33482-4855	34950-0811	34950-0821	34951-0831	34951-0841
KEY A, BLACK	33482-0856	A- BLK	GCP	PLR	MR	1	2									PLANNED OBSOLESCE	SEE 33482-4856	34950-0811	34950-0821	34951-0831	34951-0841	

**MK150 2X4 BLADE SEALED ASSEMBLY MAT SEAL  
BCM AND PIN CUT SHEET**

ASSEMBLY DESCRIPTION	ASSEMBLY PART NUMBER	COMPONENT				BLOCKED TERMINALS								STATUS	COMMENTS	OPTIONAL ATTACHMENTS SOLD SEPARATELY				
		THE PRESENCE OF AN ABBREVIATION INDICATES THE PRESENCE OF THAT COMPONENT.				CAVITY WITH A NUMBER INDICATES BLOCKED TERMINAL POSITION CAVITY WITHOUT A NUMBER INDICATES OPEN TERMINAL POSITION										BACKSHELL WITH RIBS	BACKSHELL WITHOUT RIBS	90° SOLDER W/ ADAPTOR	90° ADAPTOR WITHOUT RIBS	
		HOUSING KEY/COLOR	GROMMET CAP	PLR	MAT SEAL	1	2	3	4	5	6	7	8							
KEY A BLACK	33482-0857	A-BLK	GCP	PLR	MR	1	2	3		5					PLANNED OBSOLESCENCE	SEE 33482-4857	34950-0811	34950-0821	34951-0831	34951-0841
KEY A BLACK	33482-0858	A-BLK	GCP	PLR	MR	1	2	3	4	5				8	PLANNED OBSOLESCENCE	SEE 33482-4858	34950-0811	34950-0821	34951-0831	34951-0841
KEY A BLACK	33482-0859	A-BLK	GCP	PLR	MR	1		3		5	6	7			PLANNED OBSOLESCENCE	SEE 33482-4859	34950-0811	34950-0821	34951-0831	34951-0841
KEY A BLACK	33482-0860	A-BLK	GCP	PLR	MR	1	2	3	4	5	6				PLANNED OBSOLESCENCE	SEE 33482-4860	34950-0811	34950-0821	34951-0831	34951-0841
KEY A BLACK	33482-0861	A-BLK	GCP	PLR	MR	1	2	3		6					PLANNED OBSOLESCENCE	SEE 33482-4861	34950-0811	34950-0821	34951-0831	34951-0841
KEY A BLACK	33482-0862	A-BLK	GCP	PLR	MR	1				6					PLANNED OBSOLESCENCE	SEE 33482-4862	34950-0811	34950-0821	34951-0831	34951-0841
KEY A BLACK	33482-0863	A-BLK	GCP	PLR	MR	1				6	7	8			PLANNED OBSOLESCENCE	SEE 33482-4863	34950-0811	34950-0821	34951-0831	34951-0841
KEY A BLACK	33482-0864	A-BLK	GCP	PLR	MR			3	4	5	6	7	8		PLANNED OBSOLESCENCE	SEE 33482-4864	34950-0811	34950-0821	34951-0831	34951-0841
KEY A BLACK	33482-0865	A-BLK	GCP	PLR	MR				4			7	8		PLANNED OBSOLESCENCE	SEE 33482-4865	34950-0811	34950-0821	34951-0831	34951-0841
KEY A BLACK	33482-0866	A-BLK	GCP	PLR	MR				4	5	6	7	8		PLANNED OBSOLESCENCE	SEE 33482-4866	34950-0811	34950-0821	34951-0831	34951-0841
KEY A BLACK	33482-0867	A-BLK	GCP	PLR	MR		2	3	4		6	7	8		PLANNED OBSOLESCENCE	SEE 33482-4867	34950-0811	34950-0821	34951-0831	34951-0841
KEY A BLACK	33482-0868	A-BLK	GCP	PLR	MR					5	6	7			PLANNED OBSOLESCENCE	SEE 33482-4868	34950-0811	34950-0821	34951-0831	34951-0841
KEY A BLACK	33482-0869	A-BLK	GCP	PLR	MR			3	4						PLANNED OBSOLESCENCE	SEE 33482-4869	34950-0811	34950-0821	34951-0831	34951-0841
KEY A BLACK	33482-0870	A-BLK	GCP	PLR	MR						6	7	8		PLANNED OBSOLESCENCE	SEE 33482-4870	34950-0811	34950-0821	34951-0831	34951-0841
KEY B LIGHT GRAY	33482-0871	B-LG	GCP	PLR	MR							7	8		PLANNED OBSOLESCENCE	SEE 33482-4871	34950-0811	34950-0821	34951-0831	34951-0841
KEY A BLACK	33482-0872	A-BLK	GCP	PLR	MR	1								8	PLANNED OBSOLESCENCE	SEE 33482-4872	34950-0811	34950-0821	34951-0831	34951-0841
KEY A BLACK	33482-0873	A-BLK	GCP	PLR	MR						6			8	PLANNED OBSOLESCENCE	SEE 33482-4873	34950-0811	34950-0821	34951-0831	34951-0841
KEY A BLACK	33482-0874	A-BLK	GCP	PLR	MR		2			5					PLANNED OBSOLESCENCE	SEE 33482-4874	34950-0811	34950-0821	34951-0831	34951-0841
KEY A BLACK	33482-0875	A-BLK	GCP	PLR	MR					5					PLANNED OBSOLESCENCE	SEE 33482-4875	34950-0811	34950-0821	34951-0831	34951-0841
KEY B LIGHT GRAY	33482-0876	B-LG	GCP	PLR	MR	1		3						8	PLANNED OBSOLESCENCE	SEE 33482-4876	34950-0811	34950-0821	34951-0831	34951-0841
KEY B LIGHT GRAY	33482-0877	B-LG	GCP	PLR	MR			3						8	PLANNED OBSOLESCENCE	SEE 33482-4877	34950-0811	34950-0821	34951-0831	34951-0841
KEY B LIGHT GRAY	33482-0878	B-LG	GCP	PLR	MR	1									PLANNED OBSOLESCENCE	SEE 33482-4878	34950-0811	34950-0821	34951-0831	34951-0841
KEY A BLACK	33482-0879	A-BLK	GCP	PLR	MR	1	2	3	4	5			7		PLANNED OBSOLESCENCE	SEE 33482-4879	34950-0811	34950-0821	34951-0831	34951-0841
KEY A BLACK	33482-0880	A-BLK	GCP	PLR	MR	1									PLANNED OBSOLESCENCE	SEE 33482-4880	34950-0811	34950-0821	34951-0831	34951-0841
KEY A BLACK	33482-0881	A-BLK	GCP	PLR	MR					5				8	PLANNED OBSOLESCENCE	SEE 33482-4881	34950-0811	34950-0821	34951-0831	34951-0841
KEY A BLACK	33482-0882	A-BLK	GCP	PLR	MR				4		6				PLANNED OBSOLESCENCE	SEE 33482-4882	34950-0811	34950-0821	34951-0831	34951-0841
KEY A BLACK	33482-0883	A-BLK	GCP	PLR	MR	1							7		PLANNED OBSOLESCENCE	SEE 33482-4883	34950-0811	34950-0821	34951-0831	34951-0841
KEY A BLACK	33482-0884	A-BLK	GCP	PLR	MR	1	2	3	4						PLANNED OBSOLESCENCE	SEE 33482-4884	34950-0811	34950-0821	34951-0831	34951-0841
KEY A BLACK	33482-0885	A-BLK	GCP	PLR	MR	1	2			5	6			8	PLANNED OBSOLESCENCE	SEE 33482-4885	34950-0811	34950-0821	34951-0831	34951-0841
KEY A BLACK	33482-0886	A-BLK	GCP	PLR	MR	1	2	3						8	PLANNED OBSOLESCENCE	SEE 33482-4886	34950-0811	34950-0821	34951-0831	34951-0841
KEY A BLACK	33482-0887	A-BLK	GCP	PLR	MR	1		3	4				7	8	PLANNED OBSOLESCENCE	SEE 33482-4887	34950-0811	34950-0821	34951-0831	34951-0841
KEY A BLACK	33482-0888	A-BLK	GCP	PLR	MR				4	5	6				PLANNED OBSOLESCENCE	SEE 33482-4888	34950-0811	34950-0821	34951-0831	34951-0841
KEY A BLACK	33482-0889	A-BLK	GCP	PLR	MR	1	2		4	5	6			8	PLANNED OBSOLESCENCE	SEE 33482-4889	34950-0811	34950-0821	34951-0831	34951-0841
KEY A BLACK	33482-0892	A-BLK	GCP	PLR	MR	1	2	3		5				8	PLANNED OBSOLESCENCE	SEE 33482-4892	34950-0811	34950-0821	34951-0831	34951-0841
KEY A BLACK	33482-0893	A-BLK	GCP	PLR	MR	1	2	3	4	5			7	8	PLANNED OBSOLESCENCE	SEE 33482-4893	34950-0811	34950-0821	34951-0831	34951-0841
KEY A BLACK	33482-0894	A-BLK	GCP	PLR	MR			3	4	5			7		PLANNED OBSOLESCENCE	SEE 33482-4894	34950-0811	34950-0821	34951-0831	34951-0841
KEY A BLACK	33482-0895	A-BLK	GCP	PLR	MR			3					7		PLANNED OBSOLESCENCE	SEE 33482-4895	34950-0811	34950-0821	34951-0831	34951-0841
KEY A BLACK	33482-0896	A-BLK	GCP	PLR	MR	1	2		4	5			7		PLANNED OBSOLESCENCE	SEE 33482-4896	34950-0811	34950-0821	34951-0831	34951-0841
KEY A BLACK	33482-0897	A-BLK	GCP	PLR	MR				4	5			7		PLANNED OBSOLESCENCE	SEE 33482-4897	34950-0811	34950-0821	34951-0831	34951-0841
KEY A BLACK	33482-0898	A-BLK	GCP	PLR	MR										PLANNED OBSOLESCENCE	SEE 33482-4898	34950-0811	34950-0821	34951-0831	34951-0841
KEY A BLACK	33482-0899	A-BLK	GCP	PLR	MR	1		3	4	5	6	7	8		PLANNED OBSOLESCENCE	SEE 33482-4899	34950-0811	34950-0821	34951-0831	34951-0841
KEY A BLACK	33482-4801	A-BLK	GCO	PLR	MB										SALEABLE		34950-0811	34950-0821	34951-0831	34951-0841
KEY B LIGHT GRAY	33482-4802	B-LG	GCO	PLR	MB										SALEABLE		34950-0811	34950-0821	34951-0831	34951-0841
KEY C BROWN	33482-4803	C-BR	GCO	PLR	MB										NOT RECOMMENDED	SEE 33482-4852	34950-0811	34950-0821	34951-0831	34951-0841
KEY D GREEN	33482-4804	D-GR	GCO	PLR	MB										NOT RECOMMENDED	SEE 33482-4853	34950-0811	34950-0821	34951-0831	34951-0841
VCID KEY	33482-4805																			
KEY A BLACK	33482-4806	A-BLK	GCP	PLR	MB				4						SALEABLE		34950-0811	34950-0821	34951-0831	34951-0841
KEY B LIGHT GRAY	33482-4807	B-LG	GCP	PLR	MB				4						SALEABLE		34950-0811	34950-0821	34951-0831	34951-0841
KEY C BROWN	33482-4808	C-BR	GCP	PLR	MB				4						NOT RECOMMENDED		34950-0811	34950-0821	34951-0831	34951-0841
KEY D GREEN	33482-4809	D-GR	GCP	PLR	MB				4						NOT RECOMMENDED		34950-0811	34950-0821	34951-0831	34951-0841
VCID KEY	33482-4810																			
KEY A BLACK	33482-4811	A-BLK	GCP	PLR	MB				4	5					SALEABLE		34950-0811	34950-0821	34951-0831	34951-0841
KEY B LIGHT GRAY	33482-4812	B-LG	GCP	PLR	MB				4	5					SALEABLE		34950-0811	34950-0821	34951-0831	34951-0841
KEY C BROWN	33482-4813	C-BR	GCP	PLR	MB				4	5					NOT RECOMMENDED		34950-0811	34950-0821	34951-0831	34951-0841
KEY D GREEN	33482-4814	D-GR	GCP	PLR	MB				4	5					NOT RECOMMENDED		34950-0811	34950-0821	34951-0831	34951-0841
VCID KEY	33482-4815																			
KEY A BLACK	33482-4816	A-BLK	GCP	PLR	MB	1			4	5					SALEABLE		34950-0811	34950-0821	34951-0831	34951-0841
KEY B LIGHT GRAY	33482-4817	B-LG	GCP	PLR	MB	1			4	5					SALEABLE		34950-0811	34950-0821	34951-0831	34951-0841
KEY C BROWN	33482-4818	C-BR	GCP	PLR	MB	1			4	5					NOT RECOMMENDED		34950-0811	34950-0821	34951-0831	34951-0841
KEY D GREEN	33482-4819	D-GR	GCP	PLR	MB	1			4	5					NOT RECOMMENDED		34950-0811	34950-0821	34951-0831	34951-0841
VCID KEY	33482-4820																			
KEY A BLACK	33482-4821	A-BLK	GCP	PLR	MB	1			4	5				8	SALEABLE		34950-0811	34950-0821	34951-0831	34951-0841
KEY B LIGHT GRAY	33482-4822	B-LG	GCP	PLR	MB	1			4	5				8	SALEABLE		34950-0811	34950-0821	34951-0831	34951-0841
KEY C BROWN	33482-4823	C-BR	GCP	PLR	MB	1			4	5				8	NOT RECOMMENDED		34950-0811	34950-0821	34951-0831	34951-0841
KEY D GREEN	33482-4824	D-GR	GCP	PLR	MB	1			4	5				8	NOT RECOMMENDED		34950-0811	34950-0821	34951-0831	34951-0841
VCID KEY	33482-4825																			
KEY A BLACK	33482-4826	A-BLK	GCP	PLR	MB	1	2	3			6	7	8		SALEABLE		34950-0811	34950-0821	34951-0831	34951-0841
KEY A BLACK	33482-4827	A-BLK	GCP	PLR	MB									8	SALEABLE		34950-0811	34950-0821	34951-0831	34951-0841
KEY A BLACK	33482-4828	A-BLK</																		







MK150 2X6 BLADE SEALED ASSY MAT SEAL
BCM AND PIN CUT SHEET

Table with columns: ASSEMBLY DESCRIPTION, ASSEMBLY PART NUMBER, COMPONENT (HOUSING KEY/COLOR, GROMMET CAP, PLR, MAT SEAL), BLOCKED TERMINALS (1-12), STATUS, COMMENTS, and OPTIONAL ATTACHMENTS SOLD SEPERATELY (BACKSHELL WITH RIBS, BACKSHELL WITHOUT RIBS).









MX150 2X6 BLADE SEALED ASSY MAT SEAL  
BOM AND PIN OUT SHEET

Table with columns: ASSEMBLY DESCRIPTION, ASSEMBLY PART NUMBER, COMPONENT (Housing Key/Color, Grommet Cap, PLR, Mat Seal), BLOCKED TERMINALS (1-12), STATUS, COMMENTS, and OPTIONAL ATTACHMENTS SOLD SEPERATELY (Backshell With Ribs, Backshell Without Ribs). Rows list various key configurations (KEY A, KEY B) and their corresponding part numbers and terminal block details.



MX150 2X6 BLADE SEALED ASSY MAT SEAL  
BOM AND PIN OUT SHEET

Table with columns: ASSEMBLY DESCRIPTION, ASSEMBLY PART NUMBER, COMPONENT (Housing Key/COLOR, GROMMET CAP, PLR, MAT SEAL), BLOCKED TERMINALS (1-12), STATUS, COMMENTS, and OPTIONAL ATTACHMENTS SOLD SEPERATELY (BACKSHELL WITH RIBS, BACKSHELL WITHOUT RIBS).

MK150 2X6 BLADE SEALED ASSY MAT SEAL  
BOM AND PIN OUT SHEET

ASSEMBLY DESCRIPTION	ASSEMBLY PART NUMBER	COMPONENT				BLOCKED TERMINALS												STATUS	COMMENTS	OPTIONAL ATTACHMENTS SOLD SEPERATELY	
		THE PRESENCE OF AN ABBREVIATION INDICATES THE PRESENCE OF THAT COMPONENT.				CAVITY WITH A NUMBER INDICATES BLOCKED TERMINAL POSITION CAVITY WITHOUT A NUMBER INDICATES OPEN TERMINAL POSITION														BACKSHELL WITH RIBS	BACKSHELL WITHOUT RIBS
		HOUSING KEY/COLOR	GROMMET CAP	PLR	MAT SEAL	1	2	3	4	5	6	7	8	9	10	11	12				
KEY B, LIGHT GRAY	33482-6485	B-LG	GCP	PLR	MB	1				5	6	7	8	9	10	11	12	SALEABLE		34950-1210	34950-1220
KEY A, BLACK	33482-6486	A-BLK	GCP	PLR	MB	1	2			5		7	8	9	10	11	12	SALEABLE		34950-1210	34950-1220
KEY A, BLACK	33482-6487	A-BLK	GCP	PLR	MB							7				11	12	SALEABLE		34950-1210	34950-1220
KEY A, BLACK	33482-6488	A-BLK	GCP	PLR	MB	1	2	3	4	5	6	7	8			11	12	SALEABLE		34950-1210	34950-1220
KEY A, BLACK	33482-6489	A-BLK	GCP	PLR	MB			3				7	8			11	12	SALEABLE		34950-1210	34950-1220
KEY A, BLACK	33482-6490	A-BLK	GCP	PLR	MB	1	2	3	4							11	12	SALEABLE		34950-1210	34950-1220
KEY A, BLACK	33482-6491	A-BLK	GCP	PLR	MB	1		3		5		7		9				SALEABLE		34950-1210	34950-1220
KEY A, BLACK	33482-6492	A-BLK	GCP	PLR	MB		2				6	7	8					SALEABLE		34950-1210	34950-1220
KEY A, BLACK	33482-6493	A-BLK	GCP	PLR	MB					5		7		9	10	11	12	SALEABLE		34950-1210	34950-1220
KEY A, BLACK	33482-6494	A-BLK	GCP	PLR	MB					5				9	10	11		SALEABLE		34950-1210	34950-1220
KEY A, BLACK	33482-6495	A-BLK	GCP	PLR	MB	1	2	3	4	5	6		8	9	10	11		SALEABLE		34950-1210	34950-1220
KEY A, BLACK	33482-6496	A-BLK	GCP	PLR	MB	1	2	3	4		6	7	8	9		12		SALEABLE		34950-1210	34950-1220
KEY A, BLACK	33482-6497	A-BLK	GCP	PLR	MB							7		9			12	SALEABLE		34950-1210	34950-1220
KEY A, BLACK	33482-6498	A-BLK	GCP	PLR	MB	1	2		4	5	6	7	8	9		12		SALEABLE		34950-1210	34950-1220
KEY A, BLACK	33482-6499	A-BLK	GCP	PLR	MB			3						9	10	11		SALEABLE		34950-1210	34950-1220
KEY A, BLACK	33482-6500	A-BLK	GCP	PLR	MB		2			5		7			10			SALEABLE		34950-1210	34950-1220
KEY A, BLACK	33482-6501	A-BLK	GCP	PLR	MB				4			7						SALEABLE		34950-1210	34950-1220
KEY A, BLACK	33482-6502	A-BLK	GCP	PLR	MB				4		6	7						SALEABLE		34950-1210	34950-1220
KEY A, BLACK	33482-6503	A-BLK	GCP	PLR	MB						6	7	8					SALEABLE		34950-1210	34950-1220
KEY A, BLACK	33482-6504	A-BLK	GCP	PLR	MB		2	3	4	5	6		8	9	10	11	12	SALEABLE		34950-1210	34950-1220
KEY B, LIGHT GRAY	33482-6505	B-LG	GCP	PLR	MB					5			8	9	10	11	12	SALEABLE		34950-1210	34950-1220
KEY A, BLACK	33482-6506	A-BLK	GCP	PLR	MB								8	9			12	SALEABLE		34950-1210	34950-1220
KEY A, BLACK	33482-6507	A-BLK	GCP	PLR	MB	1	2		4	5	6		8					SALEABLE		34950-1210	34950-1220





NK150 2X8 BLADE SEALED ASSY MAT SEAL  
BCM AND PIN OUT SHEET

Table with columns: ASSEMBLY DESCRIPTION, ASSEMBLY PART NUMBER, COMPONENT (HOUSING KEY/COLOR, GROMMET CAP, PLR, MAT SEAL), BLOCKED TERMINALS (1-16), STATUS, COMMENTS, and OPTIONAL ATTACHMENTS SOLD SEPARATELY (BACKSHELL WITH RIS, BACKSHELL WITHOUT RIS, 90° ADAPTOR WITH RIS, 90° ADAPTOR WITHOUT RIS).



















NK150 2X10 BLADE SEALED ASSY MNT SEAL  
BOM AND PIN CUT SHEET

ASSEMBLY DESCRIPTION	ASSEMBLY PART NUMBER	COMPONENT					BLOCKED TERMINALS																				STATUS	COMMENTS	OPTIONAL ATTACHMENTS SOLD SEPARATELY					
		THE PRESENCE OF AN ABBREVIATION INDICATES THE PRESENCE OF THAT COMPONENT.					CAVITY WITH A NUMBER INDICATES BLOCKED TERMINAL POSITION CAVITY WITHOUT A NUMBER INDICATES OPEN TERMINAL POSITION																						BACKSHELL WITH RIBS	BACKSHELL WITHOUT RIBS	90° ADAPTOR WITH RIBS	90° ADAPTOR WITHOUT RIBS		
		Housing KEY/COLOR	GROMMET CAP	PLR	MNT SEAL		1	2	3	4	5	6	7	8	9	10	11	12	13	14	15	16	17	18	19	20								
KEY A BLACK	33482-2316	A-BLK	GCP	PLR	MB		2						8	9	10	11	12	13		14	15	16	17	18	19	20	SALEABLE		34950-2011	34950-2021	34951-1631	34951-1641		
KEY A BLACK	33482-2317	A-BLK	GCP	PLR	MB		2						8	9	10	11	12	13		14	15	16	17	18	19	20	SALEABLE		34950-2011	34950-2021	34951-1631	34951-1641		
KEY A BLACK	33482-2318	A-BLK	GCP	PLR	MB	1	2	3	4	5	6	7	8	9	10	11	12	13								20	SALEABLE		34950-2011	34950-2021	34951-1631	34951-1641		
KEY A BLACK	33482-2319	A-BLK	GCP	PLR	MB	1	2	3				6	7														SALEABLE		34950-2011	34950-2021	34951-1631	34951-1641		
KEY A BLACK	33482-2320	A-BLK	GCP	PLR	MB		2	3				6															SALEABLE		34950-2011	34950-2021	34951-1631	34951-1641		
KEY A BLACK	33482-2321	A-BLK	GCP	PLR	MB	1	2	3	4	5	6	7	8	9				13	14	15	16				19	20	SALEABLE		34950-2011	34950-2021	34951-1631	34951-1641		
KEY A BLACK	33482-2322	A-BLK	GCP	PLR	MB	1	2	3	4	5	6	7	8	9				13	14	15	16					20	SALEABLE		34950-2011	34950-2021	34951-1631	34951-1641		
KEY A BLACK	33482-2323	A-BLK	GCP	PLR	MB	1	2	3			6	7	8	9	10	11	12	13	14	15	16				19	20	SALEABLE		34950-2011	34950-2021	34951-1631	34951-1641		
KEY A BLACK	33482-2324	A-BLK	GCP	PLR	MB	1	2	3	4	5	6	7	8			10	11				14			17	18	19	20	SALEABLE		34950-2011	34950-2021	34951-1631	34951-1641	
KEY B LIGHT GRAY	33482-2325	B-LG	GCP	PLR	MB																		17	18	19	20	SALEABLE		34950-2011	34950-2021	34951-1631	34951-1641		
KEY A BLACK	33482-2326	A-BLK	GCP	PLR	MB	1	2				6	7	8	9	10	11	12	13									20	SALEABLE		34950-2011	34950-2021	34951-1631	34951-1641	
KEY A BLACK	33482-2327	A-BLK	GCP	PLR	MB	1	2		4	5	6	7	8	9	10	11	12	13						16	17	18	20	SALEABLE		34950-2011	34950-2021	34951-1631	34951-1641	
KEY A BLACK	33482-2328	A-BLK	GCP	PLR	MB							7	8	9	10	11											20	SALEABLE		34950-2011	34950-2021	34951-1631	34951-1641	
KEY B LIGHT GRAY	33482-2329	B-LG	GCP	PLR	MB										10	11						15	16	17			SALEABLE		34950-2011	34950-2021	34951-1631	34951-1641		
KEY A BLACK	33482-2330	A-BLK	GCP	PLR	MB		2				5	6			9	10											SALEABLE		34950-2011	34950-2021	34951-1631	34951-1641		
KEY A BLACK	33482-2331	A-BLK	GCP	PLR	MB		2								9	10											SALEABLE		34950-2011	34950-2021	34951-1631	34951-1641		
KEY A BLACK	33482-2332	A-BLK	GCP	PLR	MB										9	10											SALEABLE		34950-2011	34950-2021	34951-1631	34951-1641		
KEY B LIGHT GRAY	33482-2333	B-LG	GCP	PLR	MB										10	11											SALEABLE		34950-2011	34950-2021	34951-1631	34951-1641		
KEY A BLACK	33482-2334	A-BLK	GCP	PLR	MB			3	4		6	7			9	10				13	14		16	17	18	19	20	SALEABLE		34950-2011	34950-2021	34951-1631	34951-1641	
KEY A BLACK	33482-2335	A-BLK	GCP	PLR	MB			3	4			7				10							16	17			SALEABLE		34950-2011	34950-2021	34951-1631	34951-1641		
KEY B LIGHT GRAY	33482-2336	B-LG	GCP	PLR	MB																	14	15		17	18	19	20	SALEABLE		34950-2011	34950-2021	34951-1631	34951-1641
KEY B LIGHT GRAY	33482-2337	B-LG	GCP	PLR	MB																						SALEABLE		34950-2011	34950-2021	34951-1631	34951-1641		
KEY B LIGHT GRAY	33482-2338	B-LG	GCP	PLR	MB		2		4																	19	20	SALEABLE		34950-2011	34950-2021	34951-1631	34951-1641	
KEY B LIGHT GRAY	33482-2339	B-LG	GCP	PLR	MB						5	6					11	12	13	14	15				17	18	19	20	SALEABLE		34950-2011	34950-2021	34951-1631	34951-1641
KEY A BLACK	33482-2340	A-BLK	GCP	PLR	MB		2	3			5	6															SALEABLE		34950-2011	34950-2021	34951-1631	34951-1641		
KEY A BLACK	33482-2341	A-BLK	GCP	PLR	MB						5	6															SALEABLE		34950-2011	34950-2021	34951-1631	34951-1641		
KEY B LIGHT GRAY	33482-2342	B-LG	GCP	PLR	MB						5	6															SALEABLE		34950-2011	34950-2021	34951-1631	34951-1641		
KEY B LIGHT GRAY	33482-2343	B-LG	GCP	PLR	MB												11	12	13	14	15				17	18	20	SALEABLE		34950-2011	34950-2021	34951-1631	34951-1641	
KEY B LIGHT GRAY	33482-2344	B-LG	GCP	PLR	MB																	14	15		17	18		SALEABLE		34950-2011	34950-2021	34951-1631	34951-1641	
KEY B LIGHT GRAY	33482-2345	B-LG	GCP	PLR	MB																						SALEABLE		34950-2011	34950-2021	34951-1631	34951-1641		
KEY A BLACK	33482-2346	A-BLK	GCP	PLR	MB																						SALEABLE		34950-2011	34950-2021	34951-1631	34951-1641		
KEY A BLACK	33482-2347	A-BLK	GCP	PLR	MB		2	3	4	5	6	7	8	9				12	13	14	15	16		17	18	19	SALEABLE		34950-2011	34950-2021	34951-1631	34951-1641		
KEY A BLACK	33482-2348	A-BLK	GCP	PLR	MB		2				6																SALEABLE		34950-2011	34950-2021	34951-1631	34951-1641		
KEY A BLACK	33482-2349	A-BLK	GCP	PLR	MB			3	4	5		7	8														SALEABLE		34950-2011	34950-2021	34951-1631	34951-1641		
KEY A BLACK	33482-2350	A-BLK	GCP	PLR	MB			3	4	5	6		8	9													SALEABLE		34950-2011	34950-2021	34951-1631	34951-1641		
KEY A BLACK	33482-2351	A-BLK	GCP	PLR	MB			3	4	5																	SALEABLE		34950-2011	34950-2021	34951-1631	34951-1641		
KEY A BLACK	33482-2352	A-BLK	GCP	PLR	MB			3	4	5	6																SALEABLE		34950-2011	34950-2021	34951-1631	34951-1641		