

LOC A1	DIST —	REVISIONS					
		P	LTR	DESCRIPTION	DATE	DWN	APVD
ÄNDERUNGEN, DIE DEM TECHNISCHEN FORTSCHRITT DIENEN, BEHALTEN WIR UNS VOR		P		REVISED PER ECO-11-005301	02MAR11	RK	HMR

RELEASED FOR PUBLICATION

ALL RIGHTS RESERVED.

THIS DRAWING IS UNPUBLISHED.


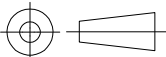
By —

© COPYRIGHT —

SIEHE ZEICHNUNG  
826 629 BLATT 2

VON DIESER ZEICHNUNG GIBT ES KEIN ORIGINAL

BESTELL-NR.	WERKSTOFF	OBERFLÄCHE FARBE

DIMENSIONS: mm		DWN —	MATERIAL —	FINISH —
TOLERANCES UNLESS OTHERWISE SPECIFIED:		CHK —	 TE Connectivity	
0 PLC ± — 1 PLC ± — 2 PLC ± — 3 PLC ± — 4 PLC ± — ANGLES ± —		APVD —		
		PRODUCT SPEC —	NAME AMPMODU II STIFTLAISTE ZWEIREIHIG	
		APPLICATION SPEC —	SIZE A4	CAGE CODE 00779
		WEIGHT —	DRAWING NO C-826925	RESTRICTED TO —
		CUSTOMER DRAWING		SCALE — SHEET 1 OF 1 REV P

# Mouser Electronics

Authorized Distributor

Click to View Pricing, Inventory, Delivery & Lifecycle Information:

[TE Connectivity:](#)

[5-826925-0](#)