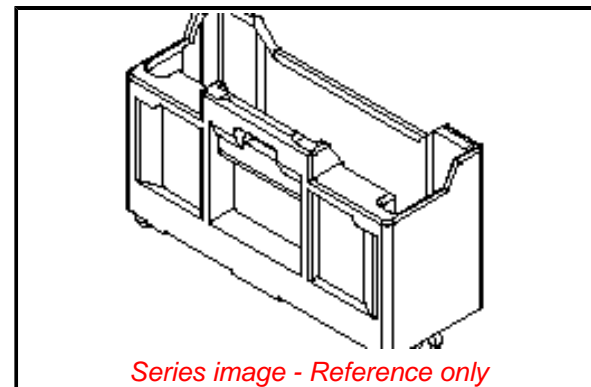


PLEASE CHECK WWW.MOLEX.COM FOR LATEST PART INFORMATION

Part Number: **5016451820**
Status: **Active**
Overview: iGrid Wire-to-Board Dual-Row System
Description: 2.00mm Pitch iGrid Wire-to-Board Header, Dual Row, Vertical, with PCB Locator, 18 Circuits

Documents:

| | |
|----------------------------------------------------------------|------------------------------------------------------------------|
| 3D Model | Application Specification 5016460000-A01 (PDF) |
| Drawing (PDF) | Packaging Specification SPK-501645-001-001 (PDF) |
| Product Specification PS-501646-001-001 (PDF) | RoHS Certificate of Compliance (PDF) |
| Application Specification 5016460000-A00 (PDF) | |



Agency Certification

UL E29179

General

| | |
|----------------|-------------------------------------|
| Product Family | PCB Headers |
| Series | 501645 |
| Application | Signal, Wire-to-Board |
| Made From | 0590199475, 5016441810 |
| Overview | iGrid Wire-to-Board Dual-Row System |
| Product Name | iGrid |
| UPC | 822350299084 |

Physical

| | |
|--------------------------------|-----------------|
| Breakaway | No |
| Circuits (Loaded) | 18 |
| Circuits (maximum) | 18 |
| Color - Resin | Natural |
| Durability (mating cycles max) | 30 |
| Flammability | 94V-0 |
| Glow-Wire Capable | No |
| Keying to Mating Part | Yes |
| Lock to Mating Part | Yes |
| Material - Metal | Brass |
| Material - Plating Mating | Tin |
| Material - Plating Termination | Tin |
| Material - Resin | Nylon |
| Net Weight | 1133.200/mg |
| Number of Rows | 2 |
| Orientation | Vertical |
| PC Tail Length | 3.20mm |
| PCB Locator | Yes |
| PCB Retention | None |
| PCB Thickness - Recommended | 1.20mm, 1.60mm |
| Packaging Type | Tray |
| Pitch - Mating Interface | 2.00mm |
| Polarized to Mating Part | Yes |
| Polarized to PCB | Yes |
| Stackable | No |
| Surface Mount Compatible (SMC) | No |
| Temperature Range - Operating | -40°C to +105°C |
| Termination Interface: Style | Through Hole |

Electrical

| | |
|-------------------------------|------------------|
| Current - Maximum per Contact | 2.0A |
| Voltage - Maximum | 250V AC (RMS)/DC |

EU ELV

Not Relevant

EU RoHS

Compliant
REACH SVHC

Not Contained Per -
ED/30/2017 (7 July
2017)

Halogen-Free

Status

Not Low-Halogen

**Need more information on product
environmental compliance?**

Email productcompliance@molex.com
Please visit the [Contact Us](#) section for any
non-product compliance questions.

| | |
|-----------------|---------------|
| China ROHS | Green Image |
| ELV | Not Relevant |
| RoHS Phthalates | Not Contained |

Search Parts in this Series

[501645 Series](#)

Mates With

501646 Housing, 501647 Crimp Terminal
22-26 AWG, 501648 Crimp Terminal 26-28
AWG

Material Info

Reference - Drawing Numbers

| | |
|---------------------------|--------------------------------|
| Application Specification | 5016460000-A00, 5016460000-A01 |
| Packaging Specification | SPK-501645-001-001 |
| Product Specification | PS-501646-001-001 |
| Sales Drawing | SD-501645-001 |

This document was generated on 02/27/2018

PLEASE CHECK WWW.MOLEX.COM FOR LATEST PART INFORMATION

Mouser Electronics

Authorized Distributor

Click to View Pricing, Inventory, Delivery & Lifecycle Information:

[Molex:](#)

[501645-1820](#)