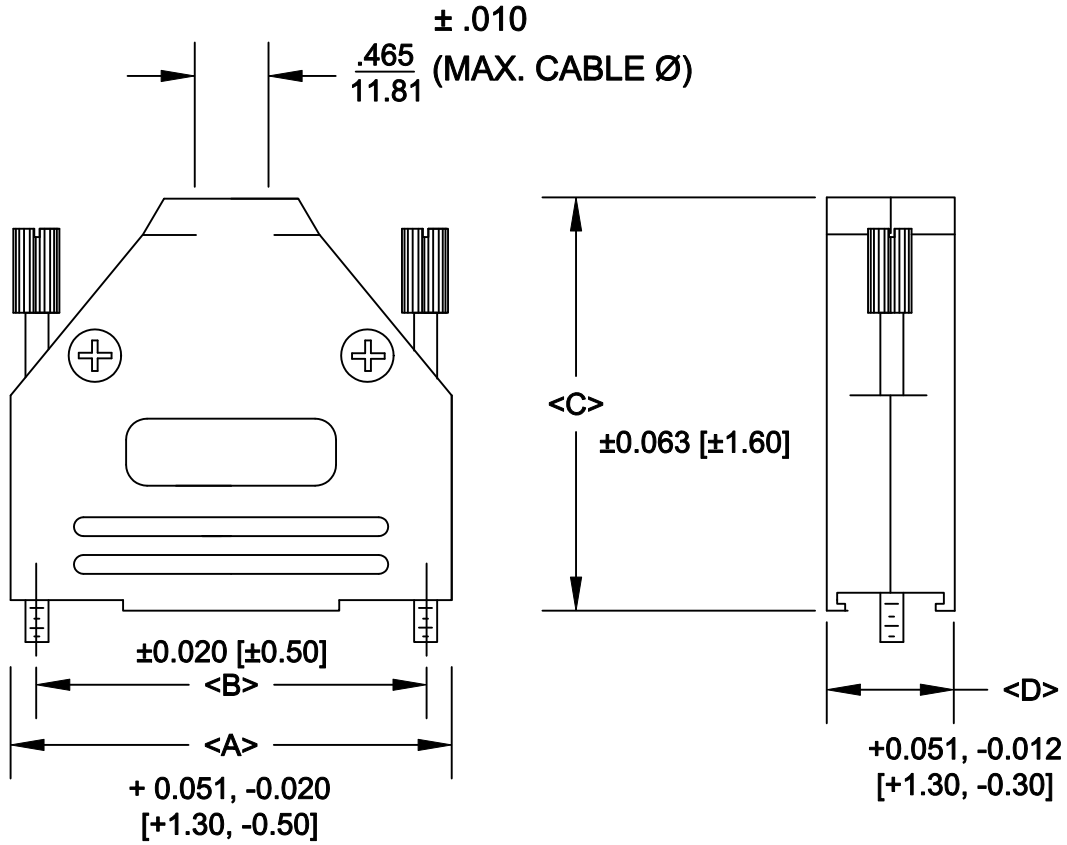


BACKSHELL KIT INCLUDES:

- (2) BACKSHELL HALVES
- (2) 4-40 THUMBSCREWS
- (2) HOUSING SCREWS/NUTS
- (1) SET OF COMPRESSION INSERTS-VARIOUS SIZES
 $\varnothing 0.157$ [4.0], $\varnothing 0.197$ [5.0], $\varnothing 0.276$ [7.0], $\varnothing 0.354$ [9.0]

970-YYY-010R011

SERIES	970-YYY-010R011
POSITIONS	009 015 025 037
MATERIAL	010 = PLASTIC
COLOR:	01 = BLACK
PUT-UPS	1 = KIT




****NOTE: 3.0 IN/LBS IS RECOMMENDED TORQUE VALUE FOR HOUSING SCREWS/NUTS****

POS.	A	B	C	D
9	1.228	.984	1.571	.590
	31.19	24.99	39.90	14.99
15	1.555	1.312	1.634	.590
	39.50	33.32	41.50	14.99
25	2.102	1.852	1.913	.590
	53.39	47.04	48.59	14.99
37	2.744	2.500	2.110	.590
	69.70	63.50	53.59	14.99

PLASTIC: ABS POLYLAC - BLACK - UL 94-HB
JACKSCREWS: STEEL - BLACK
M3 HOODSCREWS: STEEL - BLACK
COMPRESSION INSERT: ABS UL 94-HB
M3 NUT: STEEL - BLACK
OPERATING TEMP: - 30°C TO + 90°C

RoHS COMPLIANT

	THESE DRAWINGS AND SPECIFICATIONS ARE THE PROPERTY OF NorComp AND SHALL NOT BE REPRODUCED, COPIED OR USED AS THE BASIS FOR THE MANUFACTURE OR SALE OF APPARATUS WITHOUT WRITTEN PERMISSION.		DRAWN: PAM JENKINS	DATE: 6-9-05
				CHECKED:
<h1>NorComp</h1>		SCALE	SHEET OF	REV 10
		DWG NO. 970-YYY-010R011		

Mouser Electronics

Authorized Distributor

Click to View Pricing, Inventory, Delivery & Lifecycle Information:

[NorComp:](#)

[970-009-010R011](#) [970-037-010R011](#) [970-025-010R011](#) [970-015-010R011](#)