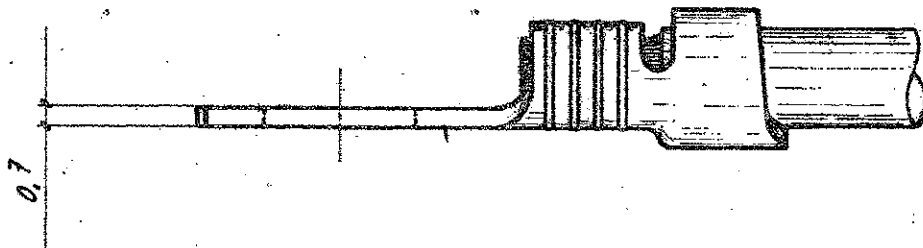
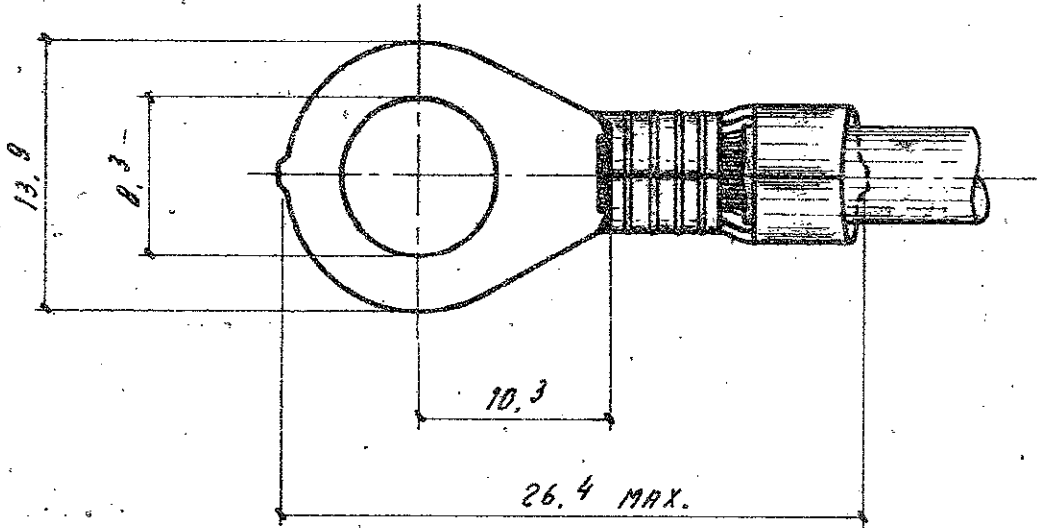


NUMBER

C-280268



DIMENSIONS IN mm DO NOT SCALE PRINT

PRINT DIST.

				© 1970 BY AMP INCORPORATED. ALL RIGHTS RESERVED. AMP PRODUCTS COVERED BY PATENTS AND/OR PATENTS PENDING.		CUSTOMER COPY REFERENCE ONLY			
E1 UPDATED		HY	2/10 1008	MATERIAL AND FINISH		AMP - ITALIA CORSO PESCHIERA 239/5 TORINO - ITALIA			
E Revised ET00-0067-01		G.S.	09/03/01	OTTONE		AMP			
C P/N 280268 OBSOLETE			24/2/89	OTTONE STAGNATO		CLASS			
B TERMINALE IN PRODUZIONE			MARZO 15-72	WIRE RANGE INSULATION		TYPE			
A 280268 ERA 1A-70-5072			10-12-71	4 ÷ 6 mm <sup>2</sup> 2,0 ÷ 5,3 MA.					
LTR	REVISION RECORD	DR	CHK	DATE	TOLERANCE EXCEPT AS NOTED	SCALE	LOC	NO	REV
	7 <sup>th</sup> APRIL '70	DE			+ 0.4 + 1.0		1	A	E1
	APRIL 70	APP			NAME				
RING TONGUE WITH 1175. SUPPORT.									

# Mouser Electronics

Authorized Distributor

Click to View Pricing, Inventory, Delivery & Lifecycle Information:

[TE Connectivity:](#)

[280268-2](#)