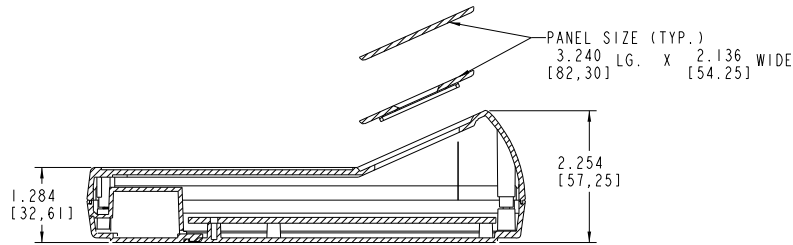
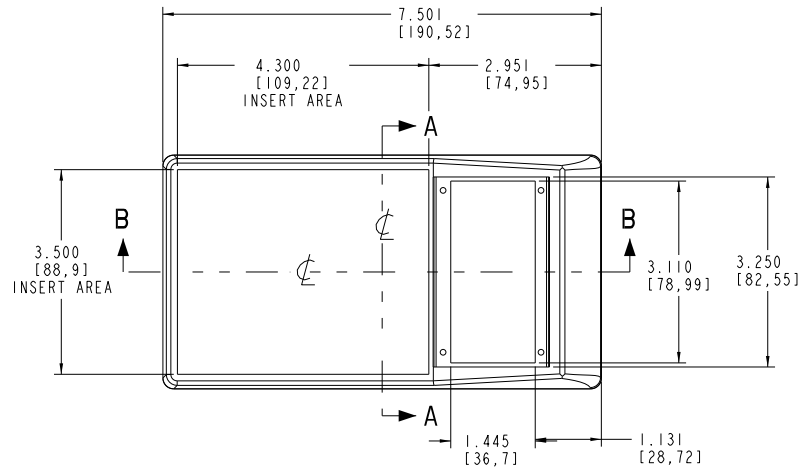
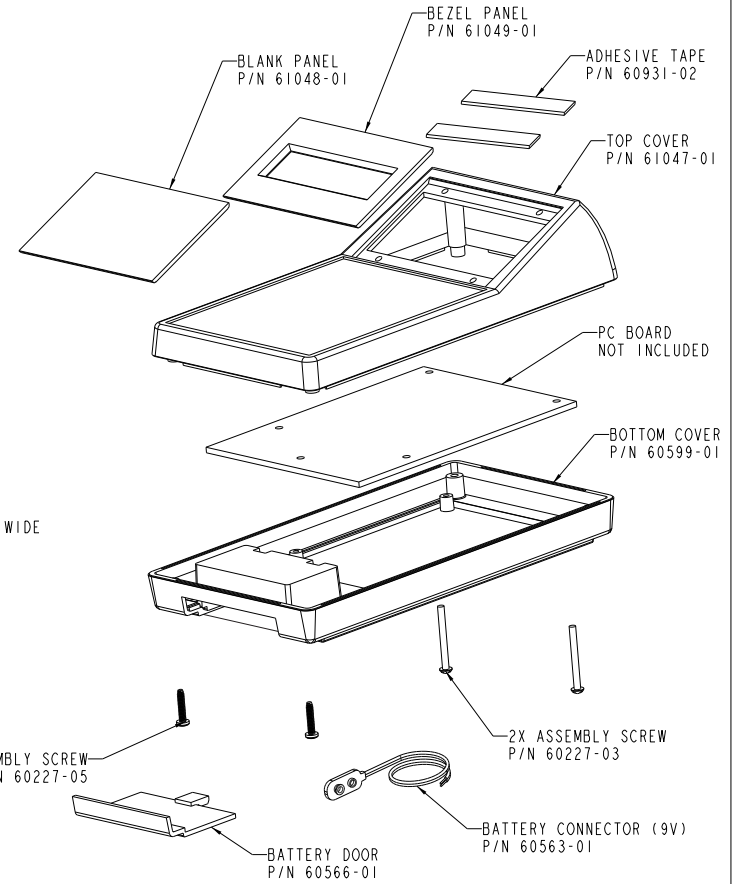
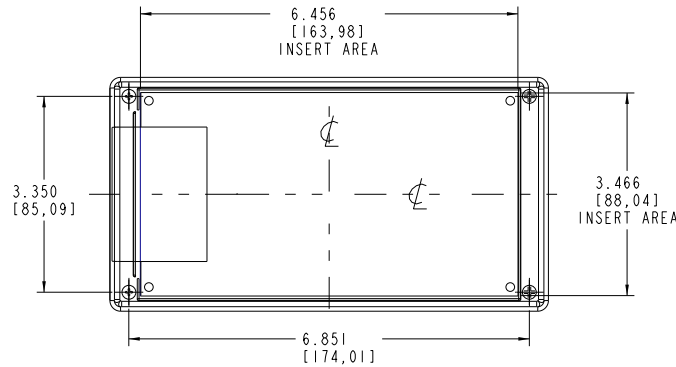
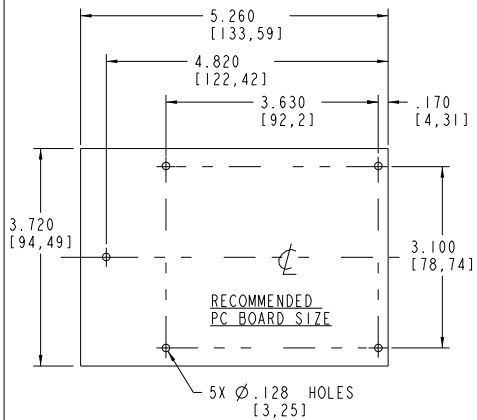


SECTION A-A



SECTION B-B



PACINTEC®
1-610-361-4200

HPLS-9VB

VISIT **PACINTEC®**
ON THE WORLD WIDE WEB
www.pactecenclosures.com

COLOR / MATERIAL CODE		
COLOR	94HB	94VO
BLACK	000	028
P. C. BONE	039	060

DRAWING NUMBER	REV
61639	B

Mouser Electronics

Authorized Distributor

Click to View Pricing, Inventory, Delivery & Lifecycle Information:

[PacTec:](#)

[71322-510-000 K-HPLS-9VB-SP-000 Kit](#) [64580-510-000 HPLS-9VB-XH Black Kit](#) [61170-510-000 HPLS-9VB Black Kit](#)